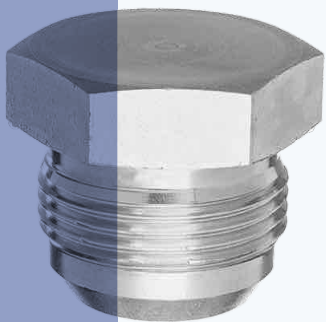
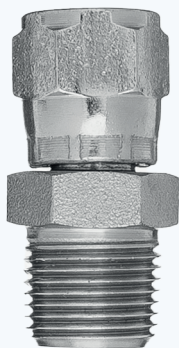
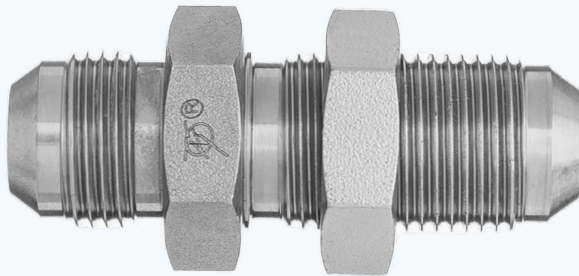
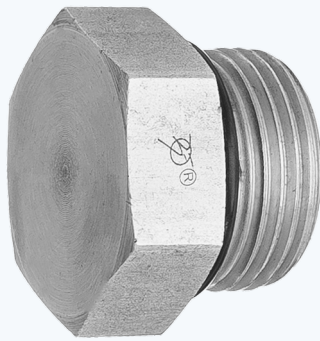
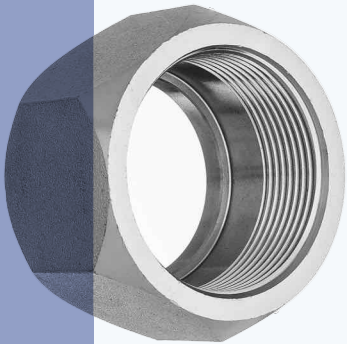
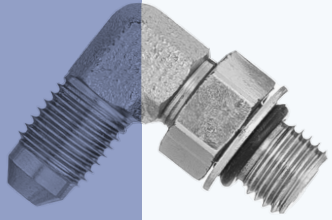


Balflex®



**SAE 37° FLARED
AND NPT ADAPTERS
CATALOG**

European Technology

*Established since 1963, **Balflex**[®] is a European international group of companies dedicated to the design, production, assembly and distribution of all types of high-tech products for conduction of fluids, measuring of pressure and power transmission at very high quality level.*

*6 decades of know-how and expertise in this field, makes **Balflex**[®] the first choice for the mining, agriculture, off-shore and construction industries.*

*Today the **Balflex**[®] Group covers worldwide users through our own company's production facilities, branches and net of certified distributors.*

Balflex[®] valorizes the inside meaning of the words we use: **Excellence** the quality of being outstanding; **Innovation** the action or process of innovating; **Partnership** cooperation relationship between two or more people, having in mind a common goal; **Tradition** way of thinking or acting, inherited from previous generations.





Quality

Quality is very important for us. We have fully equipped, modern laboratories and equipment, employing the industries most experienced personnel.

Balflex® has earned various certifications for our Management Systems and Products. This reliable and consistent approach has allowed us to achieve our ISO 9001:2015 certification. At Balflex® quality and service always comes first. We are dedicated to continue the development of new products with a strong emphasis on quality.

Member of:



Certified by:





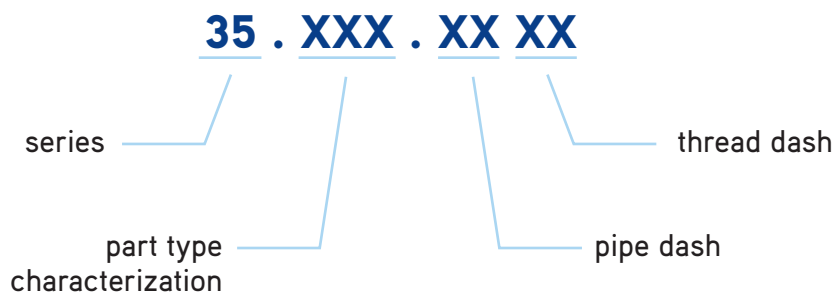
Balfit® SAE 37° Flared and NPT Connectors Hydraulic Pipe Fittings (Series 35)

The range of Balfit® 37° flared hydraulic pipe fittings is produced according to Balflex® specifications and to ISO 8434-2 and SAE J514 standards. It covers a very wide variety of applications typical of hydraulic pipe pressure lines.

Balflex® optimized the production of these fittings and their compatibility with a wide range of other types of hydraulic fittings, in order to assure the highest performance and the most extensive range of applications. The Balfit® hydraulic fittings program in this catalogue includes complete fittings for three-piece tube assembly with one end in UNF thread 37° flared and other ends with:

- UNF thread 37° flared
- NPT thread
- UNF straight thread with o-ring
- BSP parallel thread

Furthermore it includes pipe thread (NPSM and NPT) connectors included in SAE J514. The Balfit® hydraulic pipe fittings part code is composed of three groups of digits:



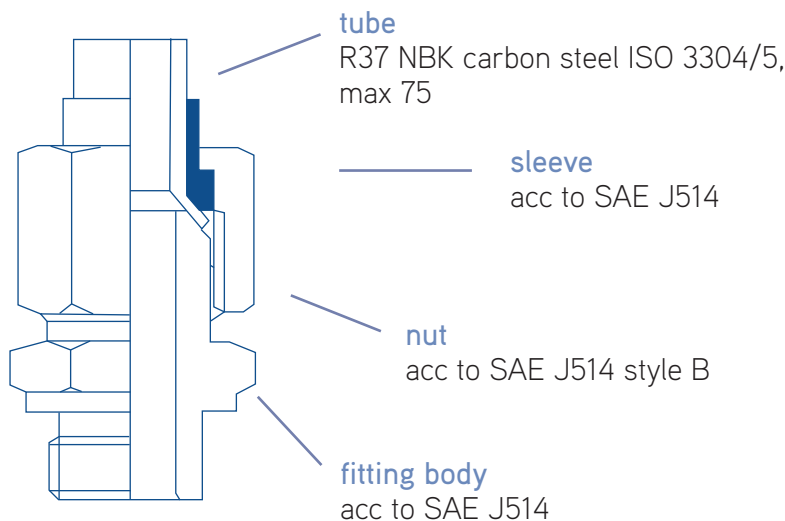
Flared tube operation principle

The 37° flared mechanical fittings assure assembly of threaded fittings to flared hydraulic tubes without any need of welding. It provides assembly simplicity with perfect sealing characteristics.

Sealing is achieved through tightness of the two conical surfaces of fitting and tube. In the Balfit® tree piece tube assembly, a sleeve fits on the flared tube and into the tightening nut. When the nut is tightened the sleeve is compressed against

the pipe flare and the fitting cone, assuring both securement and metal to metal sealing.

Balfit® 37° flared tube fittings feature single seal reduced surface, that allows high pressure even at low torque levels. Installation and maintenance are thus simplified. Furthermore, simple interchange of the sleeve allows to use the same fittings and nuts with Metric or Imperial tube sizes.



Assembly Instructions

The assembly sequence comprises the following steps:

a) The tube is cut square with a hack-saw (roller type saws should be avoided), leaving a straight section for assembly of the fitting with at least two and a half times the length of the nut; the tube edges must be deburred.

b) The nut and the sleeve are inserted up the tube as in the picture above; the larger diameter of the ring must face the end of the tube to be flared.

c) The tube is flared with appropriate machine and hardened tools (internal cone angle 74°, external cone angle 66°); check alignment of tube and flaring.

d) All components that will be tightened must be lubricated.

Note: In step c) make sure that the tube is correctly aligned while flaring. Misalignments may lead to leakage and untightening. If the flaring has not the appropriate size and alignment the process has to be restarted. Fittings and nuts should not be used to align improperly bent or flared tube; the strain on the joint may lead to leakage.



Technical Characteristics

The **Balfit®** 37° flared tube fittings in carbon steel are designed for petroleum based hydraulic fluids applications with a **temperature range of -20°C (-4°F) to +100°C (+212°F)**. Fittings without incorporated sealing rings may exceed these temperature limits up to 150°C. Stainless steel variants of the fittings with viton seals, achieving maximum temperatures of 200°C (+392°F), are listed in the catalogue pages. If other fluids are used, corrosion resistance of the fittings should be verified before application.

The **safety factor of 4:1** relating minimum burst pressure to recommended working pressure applies. The working pressure for each fitting and size is listed in the catalogue pages for working temperature of 20°C (+ 68°F). A linear de-rating

factor of 12% / 100°C (+ 212°F) should be used for higher working temperatures. A further de-rating factor of 60% should be used for applications with high impulse cycles.

All bend, tee and cross **Balfit®** 37° flared tube Series 35 fittings are made from forged parts, assuring higher reliability and longer service life-span. Straight parts are machined from stock bars.

Cylindrical and taper threads should be used always matched. In case of cylindrical threads used against softer materials, gasket type should always be preferred, to guarantee sealing even at low torque values.

General Guidelines

Hydraulic hose lines should always be inspected and hydraulically tested before installment.

All hydraulic systems should be tested against leakage and with appropriate precautions after any intervention.

The failure of hydraulic lines may be dangerous and expose people and property to irreversible damage. Among other occurrences that must be prevented are the high velocity and high

temperature projection of hydraulic fluid, the projection of connectors, pipes and it's parts, spillage or combustion of the fluid, immovability, fall or sudden movement of masses controlled by the hydraulic system.

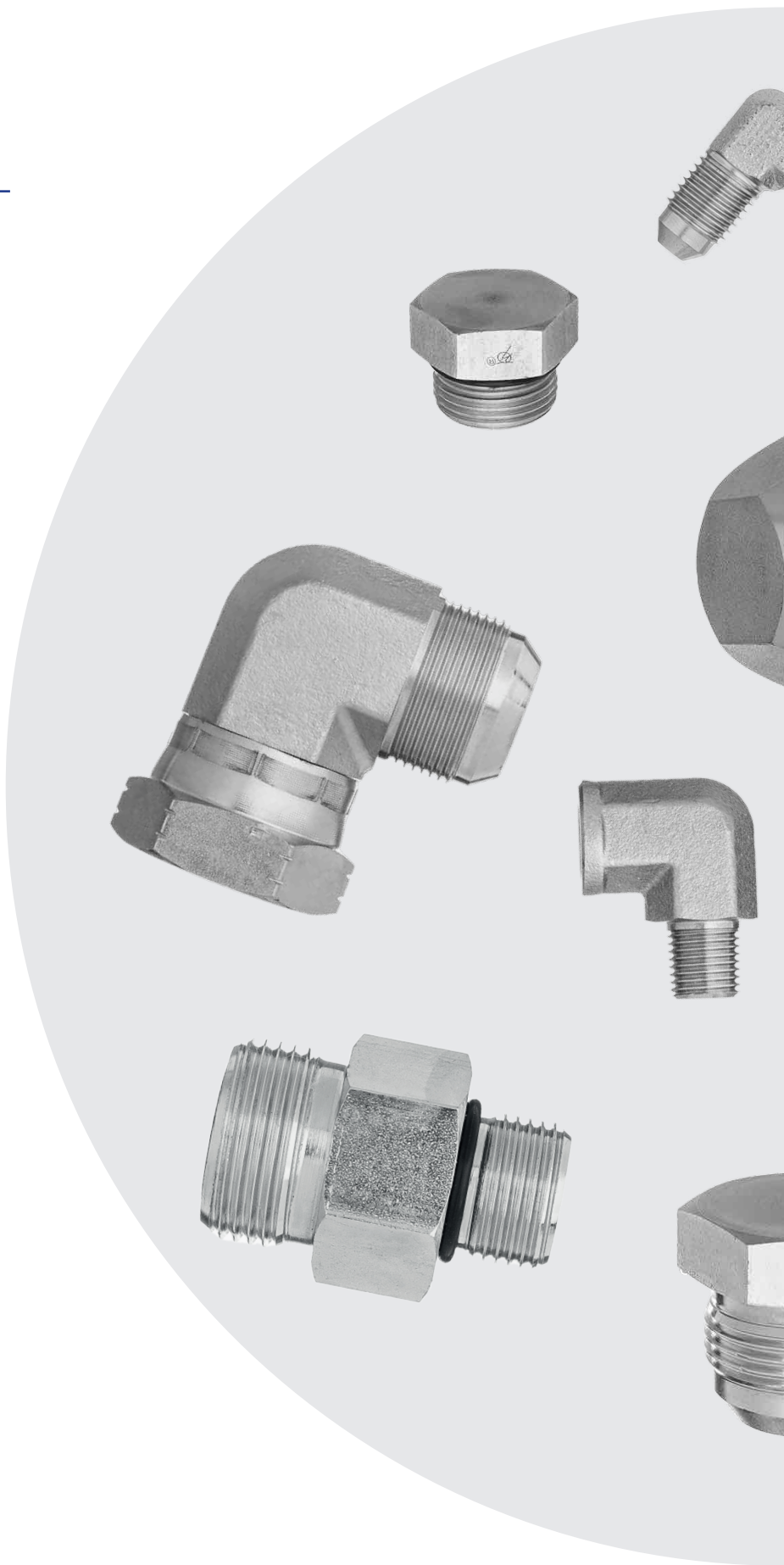
Hydraulic connectors should be stored protected from humidity and other corrosion inducing factors. Packaging should protect sealing areas and threads against shocks and other damage. Whenever the weight of the parts or the packaging type does not allow assuring this kind of protection, individual plastic caps should be used. All connectors should preferably be handled in small quantities and never in bulk quantities.

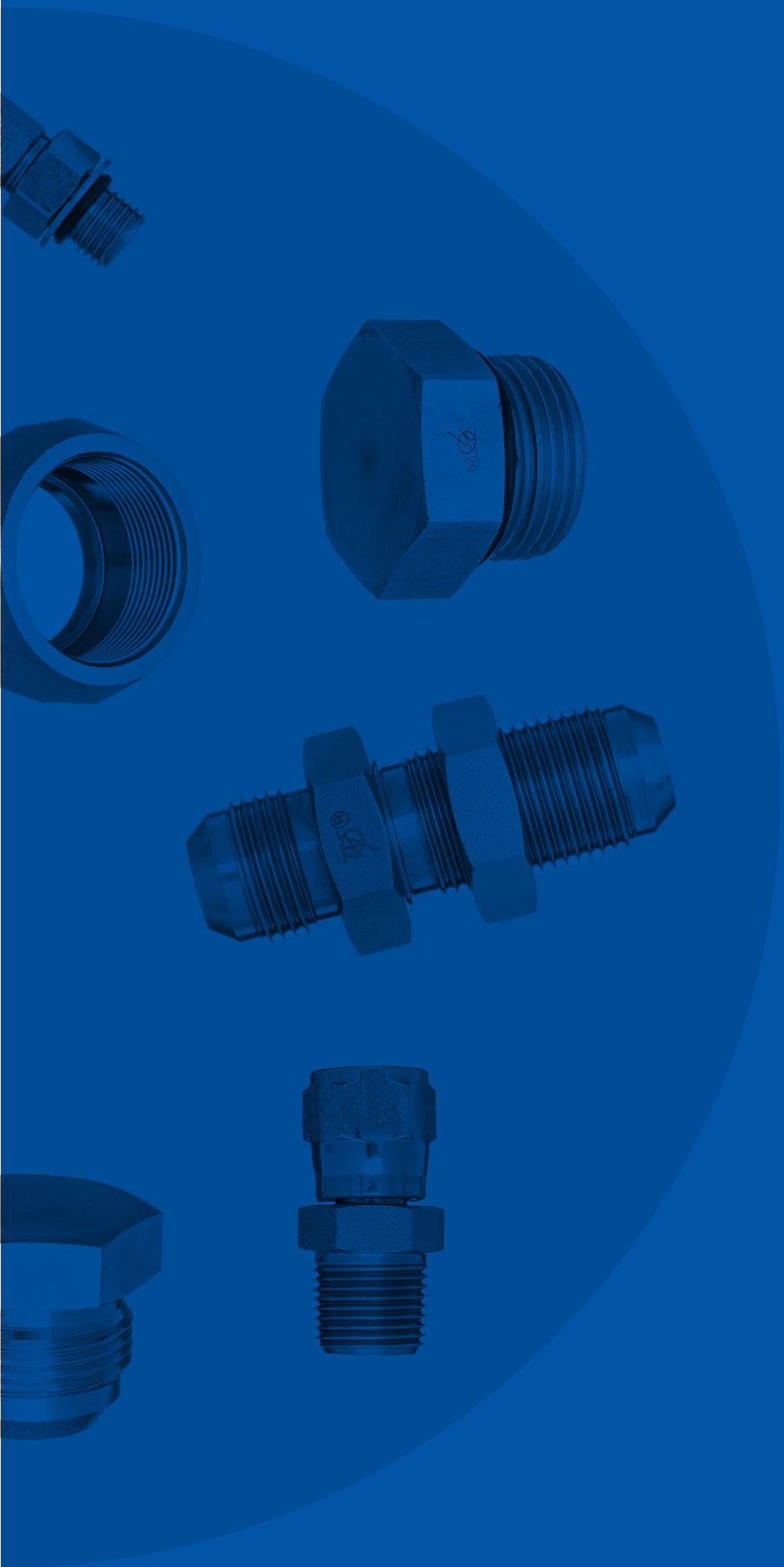
Recovered materials should never be used, as the degree of aging and fatigue is unknown and materials that pass visual inspection may be close to life limit. Good practice recommendations and standards exclude therefore the reutilization of used hose. The reutilization of recovered connectors should also be considered with the greatest restraint, as sealing and resistance characteristics may be sharply reduced.

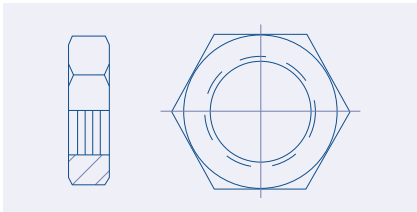
Manufacturing processes leave dirt residues in the tube. Cutting and deburring may leave metal particles that should be removed In order to prevent contamination of the hydraulic system.

Important notice: Selection, assembly and installation of hydraulic lines require specific professional training. This catalogue only supplies additional information and technical data for selection and use of **Balfit®** 37° flared fittings.

Adapters



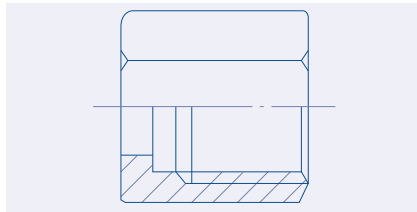




Bulkhead Locknut

35.017.

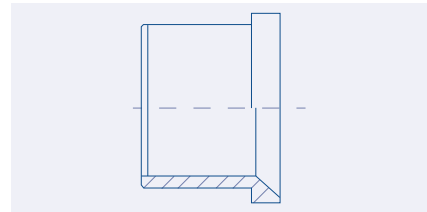
pag. 14



Tightening Nut

35.110.

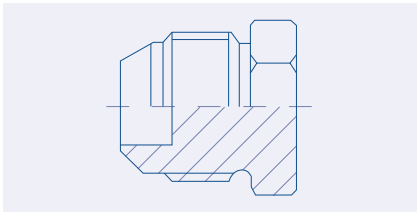
pag. 15



Tube Sleeve

35.120. / 35.121.

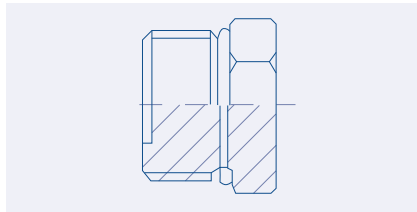
pag. 16



Plugs

35.140.

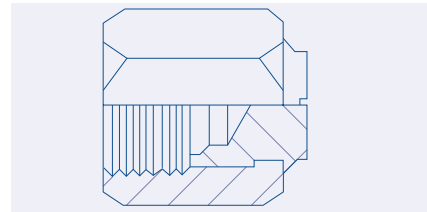
pag. 17



Plugs

35.141.

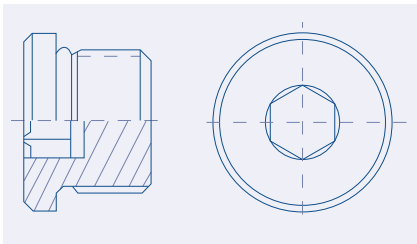
pag. 17



Cap

35.142.

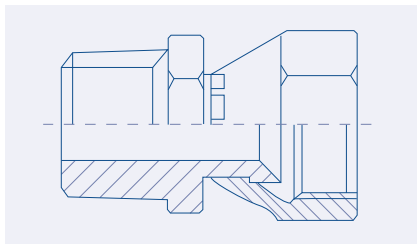
pag. 18



Hollow Hex Plug SAE - ORB

35.143.

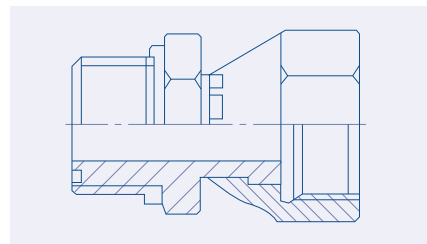
pag. 19



**Swivel Connector JIC
Female x NPT Male**

35.160.

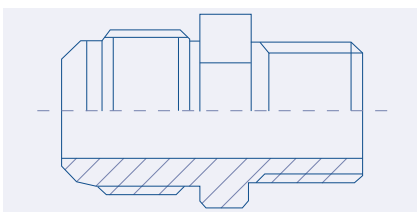
pag. 20



**Swivel Connector JIC
Female x SAE-ORB Male**

35.180.

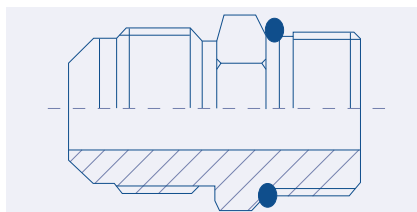
pag. 21



Male Connector (JIC x NPT)

35.200.

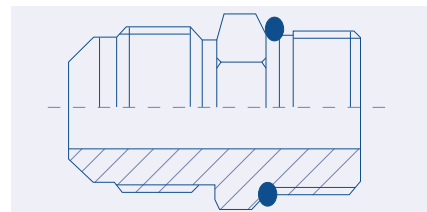
pag. 22



**JIC x SAE-ORB Straight Male
Connector**

35.220.

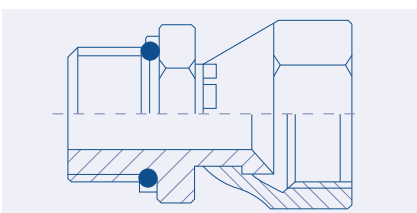
pag. 24



JIC x BSPP Male Connector

35.230.

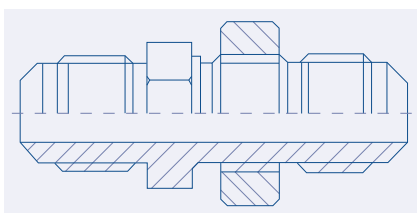
pag. 25



**Swivel Connector JIC
Female x BSPP Male**

35.235.

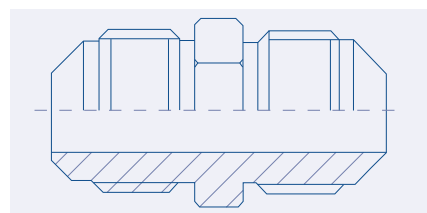
pag. 26



**Straight Bulkhead Union
JIC Male**

35.250.

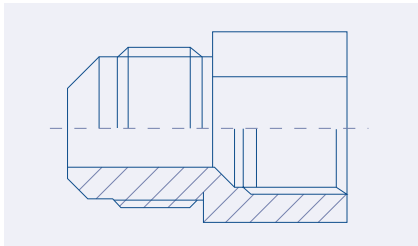
pag. 27



Straight JIC Male Union

35.260.

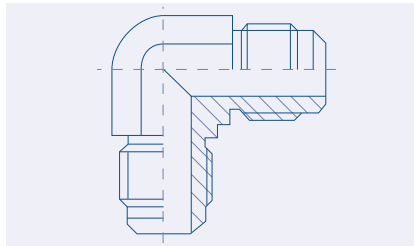
pag. 27



NPT Female x JIC Male Connector

35.280.

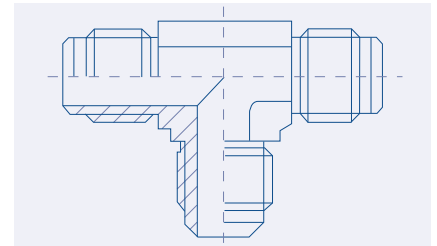
pag. 28



90° Elbow JIC Male Union

35.500.

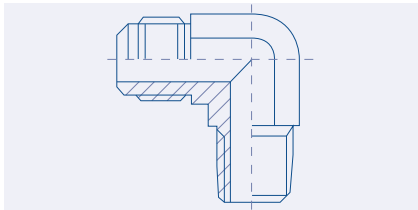
pag. 29



Union Tee JIC Male

35.505.

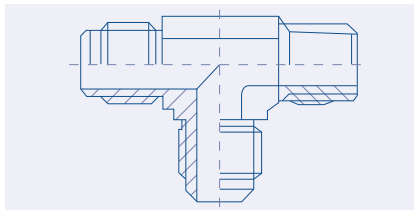
pag. 29



90° Elbow Male Connector (JIC x NPT)

35.525.

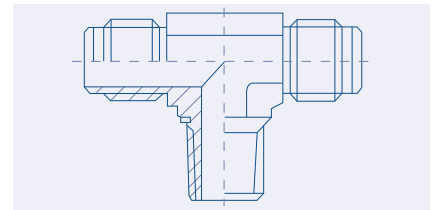
pag. 30



NPT Run Tee

35.530.

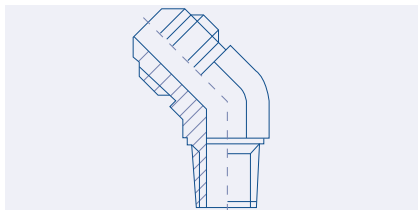
pag. 31



NPT Branch Tee

35.535.

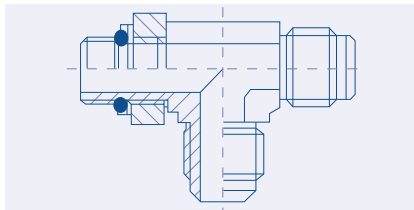
pag. 32



45° Elbow Male Connector (JIC x NPT)

35.540.

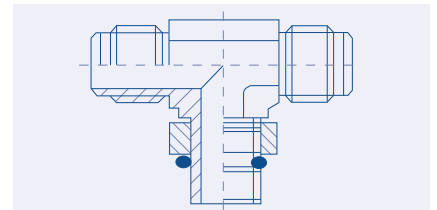
pag. 32



Orientable SAE-ORB Run Tee

35.580.

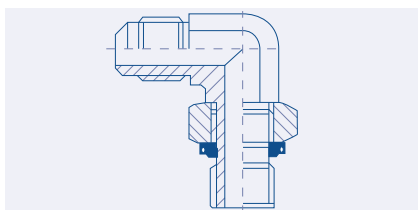
pag. 33



Orientable SAE-ORB Branch Tee

35.585.

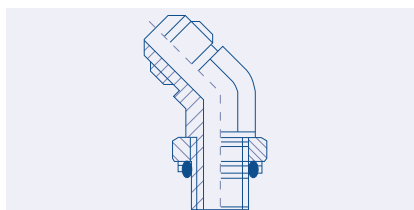
pag. 33



90° Elbow JIC Male x SAE-ORB

35.575.

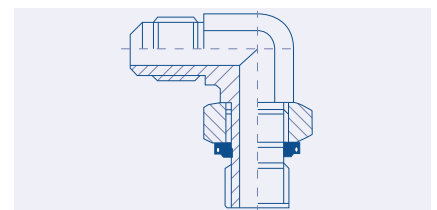
pag. 34



45° Elbow JIC Male x SAE-ORB

35.590.

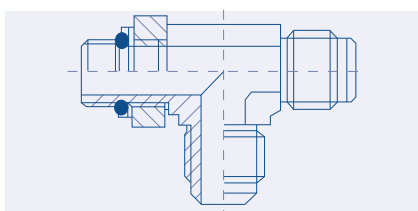
pag. 35



90° Elbow JIC Male x BSPP Male

35.600.

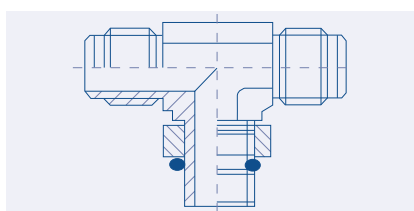
pag. 36



Orientable BSPP Run Tee

35.605.

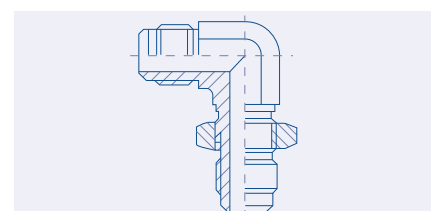
pag. 37



Orientable BSPP Branch Tee

35.610.

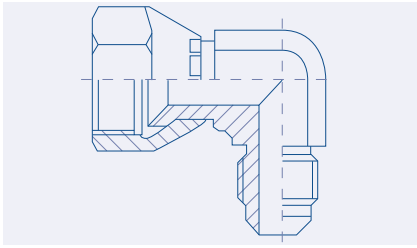
pag. 38



Bulkhead 90° Elbow Union

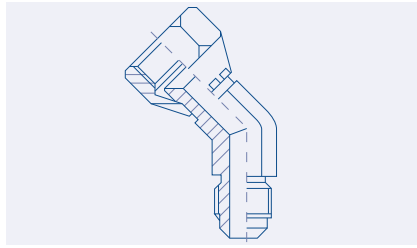
35.650.

pag. 38



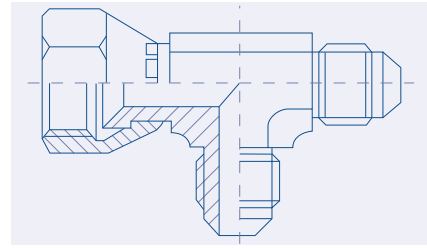
Swivel 90° Elbow
35.675.

pag. 39



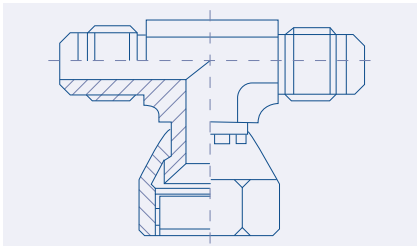
Swivel 45° Elbow
35.690.

pag. 39



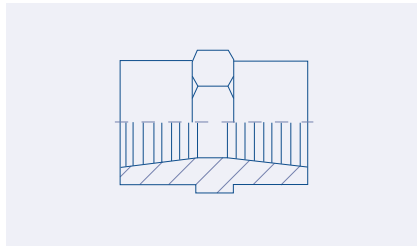
Swivel Run Tee
35.680.

pag. 40



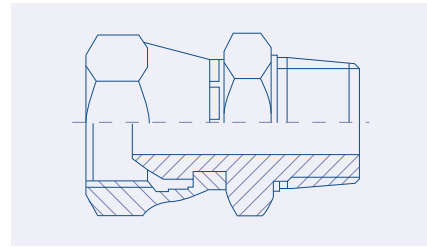
Swivel Branch Tee
35.685.

pag. 40



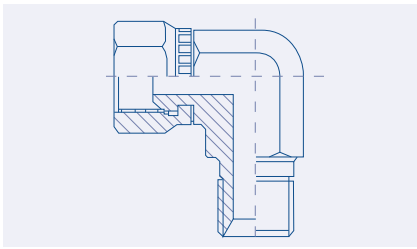
NPT Female x NPT Female Connector
35.281.

pag. 41



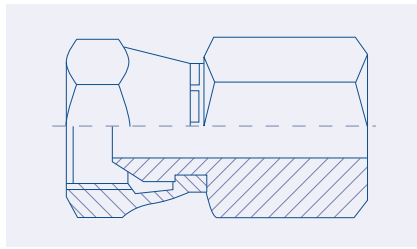
NPT Male x Swivel NPSM Female Connector
35.282.

pag. 42



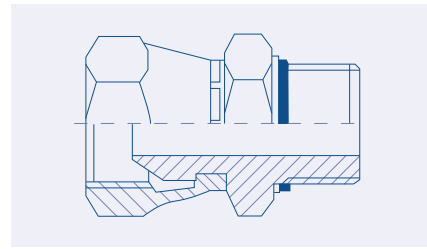
90° Elbow NPT Male x Swivel NPSM Female
35.283.

pag. 43



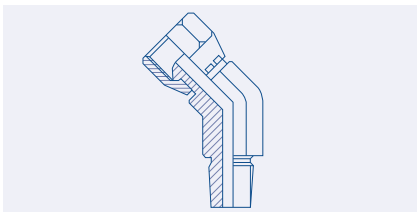
NPT Female x Swivel NPSM Female
35.285.

pag. 44



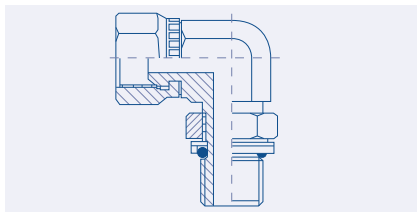
SAE-ORB Male x Swivel NPSM Female
35.286.

pag. 45



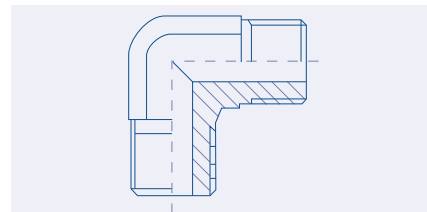
45° Elbow NPT Male x NPSM Swivel Female
35.287.

pag. 46



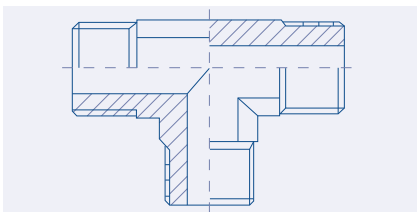
90° Elbow SAE-ORB Male x NPSM Swivel Female
35.289.

pag. 47



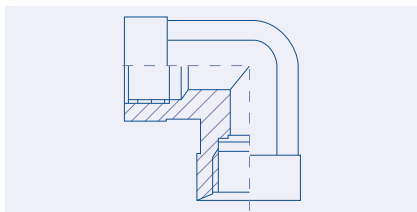
NPT Male 90° Elbow
35.800.

pag. 48



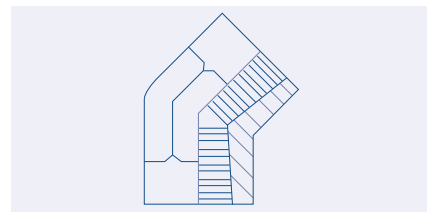
NPT Male Tee
35.801.

pag. 49



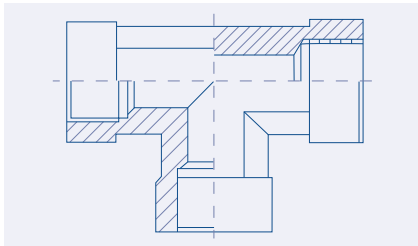
90° Elbow NPT Female
35.802.

pag. 49



45° Elbow NPT Female
35.813.

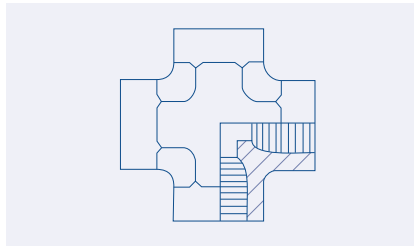
pag. 50



NPT Female Tee

35.803.

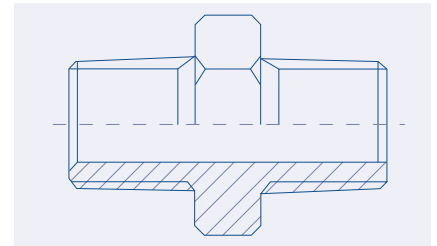
pag. 50



NPT Female Cross

35.804.

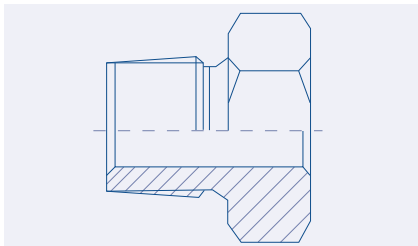
pag. 51



NPT Male Union

35.805.

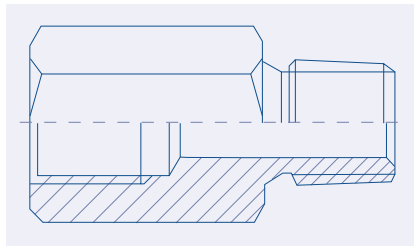
pag. 52



NPT Thread Reducer Bushing

35.806.

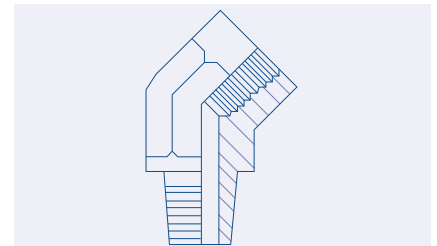
pag. 53



Female NPT to Male NPT Expander

35.807.

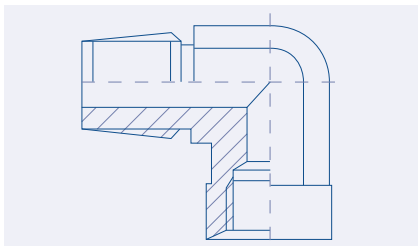
pag. 54



45° Elbow Female NPT to Male NPT

35.808.

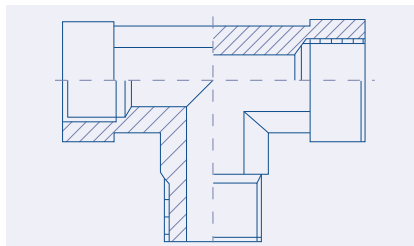
pag. 55



90° Elbow Female NPT to Male NPT

35.809.

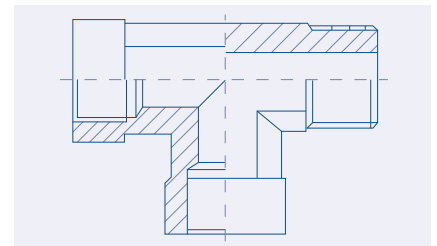
pag. 56



Female NPT to Male NPT Branch Tee

35.810.

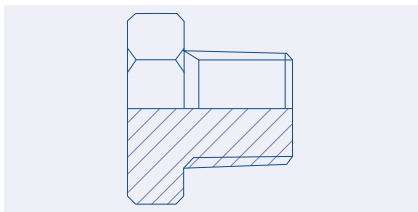
pag. 57



Female NPT to Male NPT Run Tee

35.811.

pag. 57



NPT Hex Male Plug

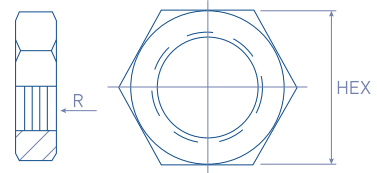
35.812.

pag. 58

Balfit® Bulkhead Locknut

35.017.

ISO 8434-2 / SAE J514



REFERENCE	thread	dimensions
	R	HEX
35.017.04	7/16" – 20	15
35.017.05	1/2" – 20	19
35.017.06	9/16" – 18	22
35.017.08	3/4" – 16	25
35.017.10	7/8" – 14	28
35.017.12	1.1/16" – 12	36
35.017.14	1.3/16" – 12	41
35.017.16	1.5/16" – 12	41
35.017.20	1.5/8" – 12	46
35.017.24	1.7/8" – 12	50
35.017.32	2.1/2" – 12	70

MATERIAL: Carbon Steel zinc-plated

FINISH: Chromium - (VI) Free Plating

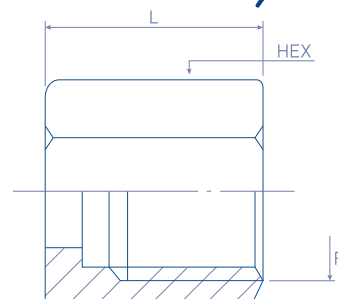
VERSIONS: BALFIT® STAINLESS STEEL LOCKNUT (add an 's' at the end of the part number; ex: 35.017.08 s)



Balfit® Tightening Nut

35.110.

ISO 8434-2 / SAE J514



REFERENCE	tube		dimensions		
	mm	inch	R	L	HEX
35.110.04	6	1/4"	7/16" - 20	16	14
35.110.05	8	5/16"	1/2" - 20	17	17
35.110.06	10	3/8"	9/16" - 18	18	19
35.110.08	12	1/2"	3/4" - 16	21	22
35.110.10	16	5/8"	7/8" - 14	25	27
35.110.12	20	3/4"	1.1/16" - 12	26	32
35.110.14	22	7/8"	1.3/16" - 12	27	35
35.110.16	25	1"	1.5/16" - 12	28	41
35.110.20	32	1.1/4"	1.5/8" - 12	31	50
35.110.24	38	1.1/2"	1.7/8" - 12	36	60
35.110.32	50	2"	2.1/2" - 12	44	86

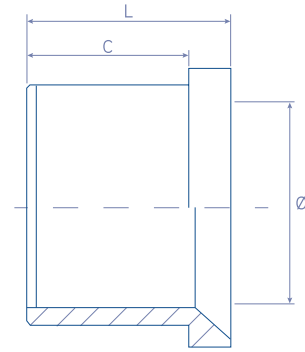
MATERIAL: Carbon Steel zinc-plated

FINISH: Chromium - (VI) Free Plating

VERSIONS: BALFIT® STAINLESS STEEL
TIGHTENING NUT (add an 'S' at the end of the
part number; ex: 35.110.08 S)

Balfit® Tube Sleeve

35.120. / 35.121.
ISO 8434-2 / SAE J514



REFERENCE	tube		dimensions		
	mm	inch	L	C	Ø
35.120.06	6		10	7	6
35.120.08	8		11	7	8
35.120.10	10		13	8	10
35.120.12	12		14	9	12
35.120.14	14		17	11	14
35.120.15	15		17	11	15
35.120.16	16		17	11	16
35.120.18	18		17	11	18
35.120.20	20		17	11	20
35.120.25	25		20	13	25
35.120.30	30		23	15	30
35.120.32	32		23	15	32
35.120.38	38		28	20	38

35.121.04		1/4"	10	7	1/4"
35.121.05		5/16"	11	7	5/16"
35.121.06		3/8"	13	8	3/8"
35.121.08		1/2"	14	9	1/2"
35.121.10		5/8"	17	11	5/8"
35.121.12		3/4"	17	11	3/4"
35.121.16		1"	20	13	1"
35.121.20		1.1/4"	23	15	1.1/4"
35.121.24		1.1/2"	28	20	1.1/2"

MATERIAL: Carbon Steel zinc-plated

FINISH: Chromium - (VI) Free Plating

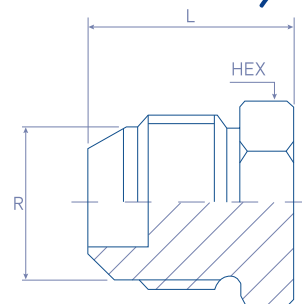
VERSIONS: BALFIT® STAINLESS STEEL
MALE BSP x MALE NPT / 90° MALE BSP x
TUBE SLEEVE (add an 'S' at the end of the
part number; ex: 35.120.08 S or 35.121.04 S)



Balfit® JIC Plug

35.140.

ISO 8434-2 / SAE J514



REFERENCE	thread	dimensions	
	R	L	HEX
35.140.04	7/16" - 20	20	13
35.140.05	1/2" - 20	20	14
35.140.06	9/16" - 18	21	16
35.140.08	3/4" - 16	24	19
35.140.10	7/8" - 14	28	24
35.140.12	1.1/16" - 12	33	27
35.140.16	1.5/16" - 12	34	36
35.140.20	1.5/8" - 12	37	46
35.140.24	1.7/8" - 12	42	50
35.140.32	2.1/2" - 12	52	65

MATERIAL: Carbon Steel zinc-plated

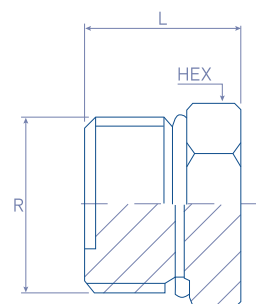
FINISH: Chromium - (VI) Free Plating

VERSIONS: BALFIT® STAINLESS STEEL PLUGS (add an 'S' at the end of the part number; ex: 35.140.08 S)

Balfit® Straight Thread Plug

35.141.

ISO 8434-2 / SAE J514



REFERENCE	thread	dimensions	
	R	L	HEX
35.141.04	5/16" - 24	18	11
35.141.05	3/8" - 24	19	11
35.141.06	7/16" - 20	20	13
35.141.08	1/2" - 20	20	14
35.141.10	9/16" - 18	21	16
35.141.12	3/4" - 16	24	19
35.141.16	7/8" - 14	28	24

MATERIAL: Carbon Steel zinc-plated

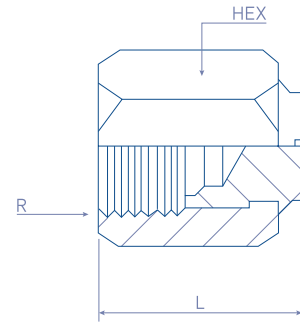
FINISH: Chromium - (VI) Free Plating

VERSIONS: BALFIT® STAINLESS STEEL PLUGS (add an 'S' at the end of the part number; ex: 35.141.06 S)

Balfit® Cap

35.142.

ISO 8434-2 / SAE J514



REFERENCE	thread	dimensions	
	R	L	HEX
35.142.04	7/16" - 20	15	14
35.142.05	1/2" - 20	15	15
35.142.06	9/16" - 18	16	17
35.142.08	3/4" - 16	19	19
35.142.10	7/8" - 14	21	22
35.142.12	1.1/16" - 12	23	32
35.142.14	1.3/16" - 12	25	36
35.142.16	1.5/16" - 12	26	36
35.142.20	1.5/8" - 12	27	50
35.142.24	1.7/8" - 12	30	55
35.142.32	2.1/2" - 12	37	75

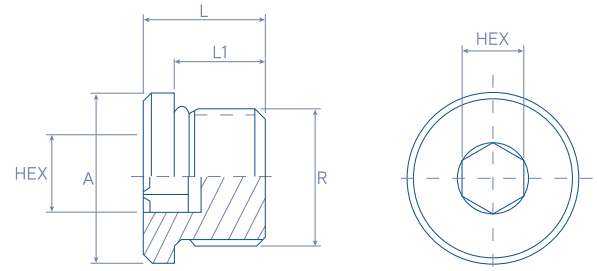
MATERIAL: Carbon Steel zinc-plated

FINISH: Chromium - (VI) Free Plating

VERSIONS: BALFIT® STAINLESS STEEL CAP
(add an 'S' at the end of the part number; ex:
35.142.08 S)



Balfit® Hollow Hex Plug SAE – ORB



35.143.
ISO 8434-2 / SAE J514

REFERENCE	thread	dimensions			
	R	L	L1	A	HEX
35.143.04	7/16" – 20	12	9	14	3/16"
35.143.05	1/2" – 20	12	9	16	3/16"
35.143.06	9/16" – 18	13	10	18	1/4"
35.143.08	3/4" – 16	15	11	22	5/16"
35.143.10	7/8" – 14	17	13	25	3/8"
35.143.12	1.1/16" – 12	20	15	32	9/16"
35.143.14	1.3/16" – 12	20	15	35	9/16"
35.143.16	1.5/16" – 12	20	15	38	5/8"
35.143.20	1.5/8" – 12	20	15	48	3/4"
35.143.24	1.7/8" – 12	20	15	54	3/4"

MATERIAL: Carbon Steel zinc-plated

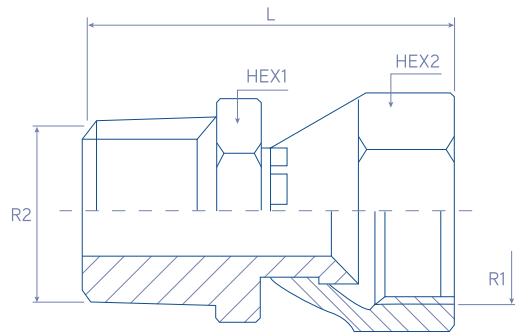
FINISH: Chromium - (VI) Free Plating

VERSIONS: BALFIT® STAINLESS STEEL
HOLLOW HEX PLUG SAE – ORB
(add an 'S' at the end of the part number; ex:
35.143.08 S)

Balfit® Swivel Connector JIC Female x NPT Male

35.160.

ISO 8434-2 / SAE J514 / SAE J516 / SAE J476A



REFERENCE	thread		dimensions		
	R1	R2	L	HEX1	HEX2
35.160.0402	7/16" - 20	1/8" - 27	33	12	12
35.160.0404	7/16" - 20	1/4" - 18	37	14	14
35.160.0504	1/2" - 20	1/4" - 18	36	14	14
35.160.0604	9/16" - 18	1/4" - 18	43	14	14
35.160.0606	9/16" - 18	3/8" - 18	44	19	19
35.160.0806	3/4" - 16	3/8" - 18	44	19	19
35.160.1006	7/8" - 14	3/8" - 18	46	22	22
35.160.0808	3/4" - 16	1/2" - 14	49	22	22
35.160.1008	7/8" - 14	1/2" - 14	58	22	22
35.160.1208	1.1/16" - 12	1/2" - 14	54	27	27
35.160.1012	7/8" - 14	3/4" - 14	55	27	27
35.160.1212	1.1/16" - 12	3/4" - 14	58	27	27
35.160.1612	1.5/16" - 12	3/4" - 14	61	32	32
35.160.1616	1.5/16" - 12	1" - 11.1/2"	65	36	36
35.160.2020	1.5/8" - 12	1.1/4" - 11.1/2"	67	46	46
35.160.2424	1.7/8" - 12	1.1/2" - 11.1/2"	74	50	50
35.160.3232	2.1/2" - 12	2" - 11.1/2"	84	60	60

MATERIAL: Carbon Steel zinc-plated

FINISH: Chromium - (VI) Free Plating

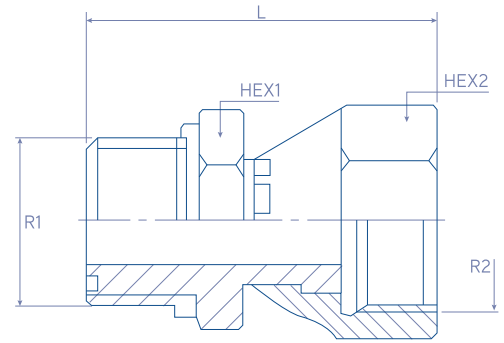
VERSIONS: BALFIT® STAINLESS STEEL SWIVEL CONNECTOR JIC FEMALE X NPT MALE (add an 'S' at the end of the part number; ex: 35.160.0808 S)



Balfit® Swivel Connector JIC Female x SAE-ORB Male

35.180.

ISO 8434-2 / SAE J514



REFERENCE	thread		dimensions		
	R1	R2	L	HEX1	HEX2
35.180.0404	7/16" - 20	7/16" - 20	33	14	14
35.180.0406	7/16" - 20	9/16" - 18	36	14	14
35.180.0604	9/16" - 18	7/16" - 20	34	14	14
35.180.0606	9/16" - 18	9/16" - 18	38	17	17
35.180.0608	9/16" - 18	3/4" - 16	41	17	17
35.180.0808	3/4" - 16	3/4" - 16	42	19	19
35.180.1008	7/8" - 14	3/4" - 16	46	19	19
35.180.1010	7/8" - 14	7/8" - 14	48	22	22
35.180.1208	1.1/16" - 12	3/4" - 16	50	22	22
35.180.1212	1.1/16" - 12	1.1/16" - 12	54	32	32
35.180.1616	1.5/16" - 12	1.5/16" - 12	57	36	36
35.180.2020	1.5/8" - 12	1.5/8" - 12	61	46	46
35.180.2424	1.7/8" - 12	1.7/8" - 12	66	50	50

MATERIAL: Carbon Steel zinc-plated

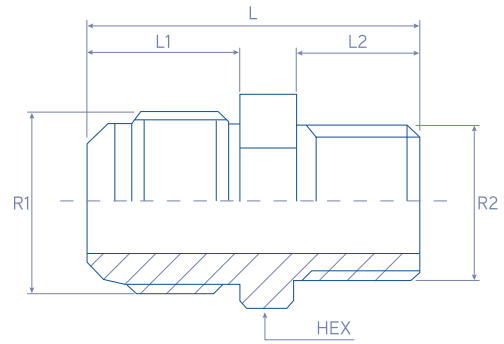
FINISH: Chromium - (VI) Free Plating

VERSIONS: BALFIT® STAINLESS STEEL
SWIVEL CONNECTOR JIC FEMALE X
SAE-ORB MALE (add an 'S' at the end of the
part number; ex: 35.180.0808 S)

Balfit® Male Connector (JIC x NPT)

35.200.

ISO 8434-2 / SAE J514 / SAE J516 / SAE J476A



REFERENCE	thread		dimensions			
	R1	R2	L	L1	L2	HEX
35.200.0402	7/16" - 20	1/8" - 27	31	14	10	13
35.200.0404	7/16" - 20	1/4" - 18	36	14	14	14
35.200.0406	7/16" - 20	3/8" - 18	36	14	14	19
35.200.0408	7/16" - 20	1/2" - 19	42	14	19	22
35.200.0502	1/2" - 20	1/8" - 27	31	14	10	14
35.200.0504	1/2" - 20	1/4" - 18	36	14	14	14
35.200.0506	1/2" - 20	3/8" - 18	36	14	14	19
35.200.0602	9/16" - 18	1/8" - 27	32	14	10	16
35.200.0604	9/16" - 18	1/4" - 18	36	14	14	16
35.200.0606	9/16" - 18	3/8" - 18	36	14	14	19
35.200.0608	9/16" - 18	1/2" - 14	43	14	19	22
35.200.0612	9/16" - 18	3/4" - 14	45	14	19	27
35.200.0802	3/4" - 16	1/8" - 27	34	17	10	22
35.200.0804	3/4" - 16	1/4" - 18	39	17	14	22
35.200.0806	3/4" - 16	3/8" - 18	39	17	14	19
35.200.0808	3/4" - 16	1/2" - 14	45	17	19	22
35.200.0812	3/4" - 16	3/4" - 14	47	17	19	27
35.200.0816	3/4" - 16	1" - 11 1/2"	52	17	24	36
35.200.1004	7/8" - 14	1/4" - 18	43	19	14	24
35.200.1006	7/8" - 14	3/8" - 18	43	19	14	24
35.200.1008	7/8" - 14	1/2" - 14	48	19	19	24
35.200.1012	7/8" - 14	3/4" - 14	50	19	19	27
35.200.1206	1.1/16" - 12	3/8" - 18	45	22	14	27
35.200.1208	1.1/16" - 12	1/2" - 14	52	22	19	27
35.200.1212	1.1/16" - 12	3/4" - 14	52	22	19	27
35.200.1216	1.1/16" - 12	1" - 11 1/2"	57	22	24	36
35.200.1220	1.1/16" - 12	1.1/4" - 11.1/2"	60	22	25	46
35.200.1224	1.1/16" - 12	1.1/2" - 11.1/2"	63	22	25	50
35.200.1608	1.5/16" - 12	1/2" - 14	54	23	19	36
35.200.1612	1.5/16" - 12	3/4" - 14	54	23	19	36
35.200.1616	1.5/16" - 12	1" - 11.1/2"	58	23	24	36



REFERENCE	thread		dimensions			
	R1	R2	L	L1	L2	HEX
35.200.1620	1.5/16" - 12	1.1/4" - 11.1/2"	62	23	25	46
35.200.1624	1.5/16" - 12	1.1/2" - 11.1/2"	64	23	25	46
35.200.2012	1.5/8" - 12	3/4" - 14	56	24	19	46
35.200.2016	1.5/8" - 12	1" - 11.1/2"	62	24	24	46
35.200.2020	1.5/8" - 12	1.1/4" - 11.1/2"	62	24	25	46
35.200.2024	1.5/8" - 12	1.1/2" - 11.1/2"	65	24	25	46
35.200.2032	1.5/8" - 12	2" - 11.1/2"	69	24	30	66
35.200.2424	1.7/8" - 12	1.1/2" - 11.1/2"	68	28	25	50
35.200.2432	1.7/8" - 12	2" - 11.1/2"	73	28	30	66
35.200.3216	2.1/2" - 12	1" - 11.1/2"	77	32	24	66
35.200.3220	2.1/2" - 12	1.1/4" - 11.1/2"	77	32	25	66
35.200.3224	2.1/2" - 12	1.1/2" - 11.1/2"	78	32	25	66
35.200.3232	2.1/2" - 12	2" - 11.1/2"	79	32	30	66

MATERIAL: Carbon Steel zinc-plated

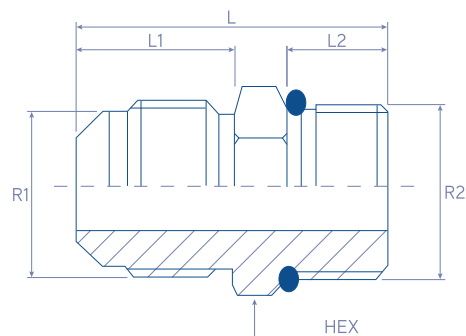
FINISH: Chromium - (VI) Free Plating

VERSIONS: BALFIT® STAINLESS STEEL
 MALE CONNECTOR (add an 'S' at the end of
 the part number; ex: 35.200.0806 S)

Balfit® JIC x SAE-ORB Straight Male Connector

35.220.

ISO 8434-2 / SAE J514



REFERENCE	tube		thread		dimensions			
	mm	inch	R1	R2	L	L1	L2	HEX
35.220.0404	6	1/4"	7/16" - 20	7/16" - 20	31	14	9	14
35.220.0405	6	1/4"	7/16" - 20	1/2" - 20	31	14	9	16
35.220.0406	6	1/4"	7/16" - 20	9/16" - 18	33	44	10	17
35.220.0505	8	5/16"	1/2" - 20	1/2" - 20	31	14	9	16
35.220.0606	10	3/8"	9/16" - 18	9/16" - 18	33	14	10	17
35.220.0608	10	3/8"	9/16" - 18	3/4" - 16	35	14	11	22
35.220.0808	12	1/2"	3/4" - 16	3/4" - 16	38	17	11	22
35.220.0810	12	1/2"	3/4" - 16	7/8" - 14	41	17	13	27
35.220.1008	14	5/8"	7/8" - 14	3/4" - 16	41	19	11	24
35.220.1010	15	5/8"	7/8" - 14	7/8" - 14	43	19	13	27
35.220.1012	16	5/8"	7/8" - 14	1.1/16" - 12	47	19	15	32
35.220.1210	20	3/4"	1.1/16" - 12	7/8" - 14	46	22	13	27
35.220.1212	20	3/4"	1.1/16" - 12	1.1/16" - 12	50	22	15	32
35.220.1216	20	3/4"	1.1/16" - 12	1.5/16" - 12	51	22	15	38
35.220.1612	25	1"	1.5/16" - 12	1.1/16" - 12	51	23	15	36
35.220.1616	25	1"	1.5/16" - 12	1.5/16" - 12	52	23	15	38
35.220.2020	32	1.1/4"	1.5/8" - 12	1.5/8" - 12	55	24	15	50
35.220.2424	38	1.1/2"	1.7/8" - 12	1.7/8" - 12	60	28	15	55

MATERIAL: Carbon Steel zinc-plated

FINISH: Chromium - (VI) Free Plating

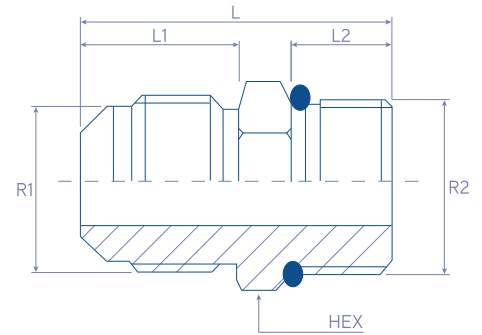
VERSIONS: BALFIT® STAINLESS STEEL
STRAIGHT MALE CONNECTOR JIC X
SAE-ORB (add an 'S' at the end of the part
number; ex: 35.220.0808 S)



Balfit® JIC x BSPP Male Connector

35.230.

ISO 8434-2 / SAE J514 / SAE J516 / ISO 8434-6



REFERENCE	tube		thread		dimensions			
	mm	inch	R1	R2	L	L1	L2	HEX
35.230.0402	6	1/4"	7/16" - 20	1/8" - 28	29	14	6	16
35.230.0404	6	1/4"	7/16" - 20	1/4" - 19	32	14	10	19
35.230.0504	8	5/16"	1/2" - 20	1/4" - 19	32	14	10	19
35.230.0506	8	5/16"	1/2" - 20	3/8" - 19	33	14	10	22
35.230.0604	10	3/8"	9/16" - 18	1/4" - 19	32	14	10	19
35.230.0606	10	3/8"	9/16" - 18	3/8" - 19	33	14	10	22
35.230.0608	10	3/8"	9/16" - 18	1/2" - 14	39	14	13	30
35.230.0806	12	1/2"	3/4" - 16	3/8" - 19	36	17	10	22
35.230.0808	12	1/2"	3/4" - 16	1/2" - 14	41	17	13	30
35.230.1006	14	5/8"	7/8" - 14	3/8" - 19	39	19	10	24
35.230.1008	15	5/8"	7/8" - 14	1/2" - 14	44	19	13	30
35.230.1012	16	5/8"	7/8" - 14	3/4" - 14	44	19	13	36
35.230.1208	20	3/4"	1.1/16" - 12	1/2" - 14	47	22	13	30
35.230.1212	20	3/4"	1.1/16" - 12	3/4" - 14	48	22	13	36
35.230.1616	25	1"	1.5/16" - 12	1" - 11	54	23	16	46
35.230.2020	32	1.1/4"	1.5/8" - 12	1.1/4" - 11	57	24	16	50
35.230.2424	38	1.1/2"	1.7/8" - 12	1.1/2" - 11	61	28	16	60
35.230.3232	50	2"	2.1/2" - 12	2" - 11	68	34	19	70

MATERIAL: Carbon Steel zinc-plated

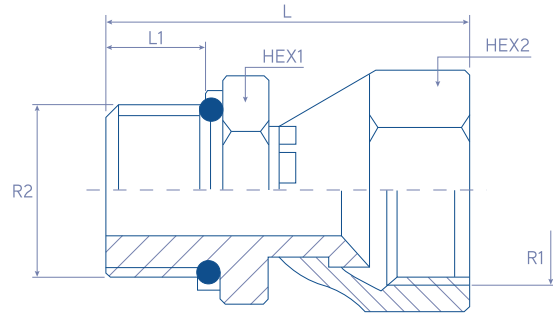
FINISH: Chromium - (VI) Free Plating

VERSIONS: BALFIT® STAINLESS STEEL
STRAIGHT JIC X BSPP MALE CONNECTOR
(add an 'S' at the end of the part number; ex:
35.230.0808 S)

Balfit® Swivel Connector JIC Female x BSPP Male

35.235.

ISO 8434-2 / SAE J514 / SAE J516 / ISO 8434-6



REFERENCE	thread		dimensions			
	R1	R2	L	L1	HEX1	HEX2
35.235.0402	7/16" - 20	1/8" - 28	24	10	14	15
35.235.0404	7/16" - 20	1/4" - 19	26	12	19	15
35.235.0504	1/2" - 20	1/4" - 19	26,5	12	19	17
35.235.0604	9/16" - 18	1/4" - 19	27	12	19	19
35.235.0606	9/16" - 18	3/8" - 19	30,5	13,5	22	19
35.235.0804	3/4" - 16	1/4" - 19	29	12	19	24
35.235.0806	3/4" - 16	3/8" - 19	32,5	13,5	22	24
35.235.1006	7/8" - 14	3/8" - 19	33	13,5	22	27
35.235.0608	9/16" - 18	1/2" - 14	35	16	27	19
35.235.0808	3/4" - 16	1/2" - 14	37	16	27	24
35.235.1008	7/8" - 14	1/2" - 14	37,5	16	27	27
35.235.1010	7/8" - 14	5/8" - 14	39	17,5	30	27
35.235.0812	3/4" - 16	3/4" - 14	40	18,5	32	24
35.235.1012	7/8" - 14	5/8" - 14	41	18,5	32	27
35.235.1212	1.1/16" - 12	3/4" - 14	42	18,5	32	32
35.235.1612	1.5/16" - 12	3/4" - 14	42	18,5	32	41
35.235.1616	1.5/16" - 12	1" - 11	46,5	20,5	41	41
35.235.2020	1.5/8" - 12	1.1/4" - 11	50	20,5	50	50
35.235.2420	1.7/8" - 12	1.1/4" - 11	50	20,5	50	55
35.235.2424	1.7/8" - 12	1.1/2" - 11	52,5	23	55	55
35.235.3232	2.1/2" - 12	2" - 11	57,5	25,5	70	75

MATERIAL: Carbon Steel zinc-plated

FINISH: Chromium - (VI) Free Plating

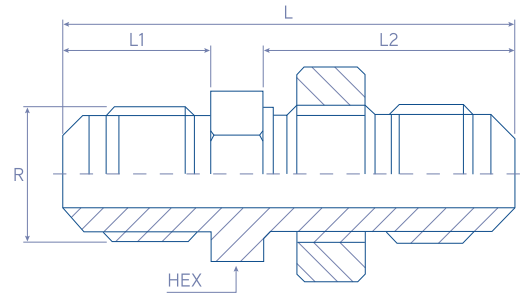
VERSIONS: BALFIT® STAINLESS STEEL
SWIVEL CONNECTOR JIC FEMALE X BSPP
MALE (add an 'S' at the end of the part
number; ex: 35.235.0808 S)



Balfit® Straight Bulkhead Union JIC Male

35.250.

ISO 8434-2 / SAE J514



REFERENCE	tube		thread	dimensions			
	mm	inch	R	L	L1	L2	HEX
35.250.0404	6	1/4"	7/16" - 20	53	14	17	31
35.250.0505	8	5/16"	1/2" - 20	53	14	19	31
35.250.0606	10	3/8"	9/16" - 18	55	14	22	33
35.250.0808	12	1/2"	3/4" - 16	62	17	24	37
35.250.1010	16	5/8"	7/8" - 14	70	19	30	41
35.250.1212	20	3/4"	1.1/16" - 12	79	22	36	45
35.250.1616	25	1"	1.5/16" - 12	80	23	41	45
35.250.2020	32	1.1/4"	1.5/8" - 12	84	24	50	47
35.250.2424	38	1.1/2"	1.7/8" - 12	89	28	55	47

MATERIAL: Carbon Steel zinc-plated

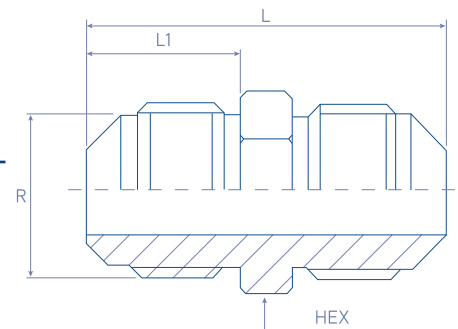
FINISH: Chromium - (VI) Free Plating

VERSIONS: BALFIT® STAINLESS STEEL
STRAIGHT BULKHEAD UNION JIC MALE
(add an 'S' at the end of the part number; ex:
35.250.08 S)

Balfit® Straight JIC Male Union

35.260.

ISO 8434-2 / SAE J514



REFERENCE	tube		thread	dimensions		
	mm	inch	R	L	L1	HEX
35.260.0404	6	1/4"	7/16" - 20	35	14	13
35.260.0505	8	5/16"	1/2" - 20	35	14	14
35.260.0606	10	3/8"	9/16" - 18	36	14	16
35.260.0808	12	1/2"	3/4" - 16	41	17	19
35.260.1010	16	5/8"	7/8" - 14	48	19	24
35.260.1212	20	3/4"	1.1/16" - 12	55	22	27
35.260.1616	25	1"	1.5/16" - 12	57	23	36
35.260.2020	32	1.1/4"	1.5/8" - 12	62	24	46
35.260.2424	38	1.1/2"	1.7/8" - 12	70	28	50
35.260.3232	50	2"	2.1/2" - 12	86	35	66

MATERIAL: Carbon Steel zinc-plated

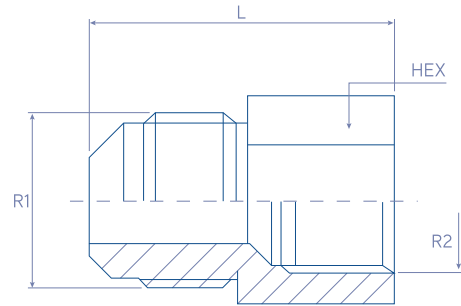
FINISH: Chromium - (VI) Free Plating

VERSIONS: BALFIT® STAINLESS STEEL
STRAIGHT JIC MALE UNION (add an 'S' at the
end of the part number; ex: 35.260.08 S)

Balfit® NPT Female x JIC Male Connector

35.280.

ISO 8434-2 / SAE J514 / SAE J476A



REFERENCE	tube		thread		dimensions	
	mm	inch	R1	R2	L	HEX
35.280.0404	6	1/4"	7/16" - 20	1/4" - 18	32	14
35.280.0504	8	5/16"	1/2" - 20	1/4" - 18	32	17
35.280.0604	10	3/8"	9/16" - 18	1/4" - 18	34	17
35.280.0606	10	3/8"	9/16" - 18	3/8" - 18	34	19
35.280.0806	12	3/8"	3/4" - 16	3/8" - 18	40	22
35.280.0808	12	1/2"	3/4" - 16	1/2" - 14	41	22
35.280.1008	16	5/8"	7/8" - 14	1/2" - 14	42	24
35.280.1212	20	3/4"	1.1/16" - 12	3/4" - 14	44	27
35.280.1616	25	1"	1.5/16" - 12	1" - 11	51	36
35.280.2020	32	1.1/4"	1.5/8" - 12	1.1/4" - 11	63	50

MATERIAL: Carbon Steel zinc-plated

FINISH: Chromium - (VI) Free Plating

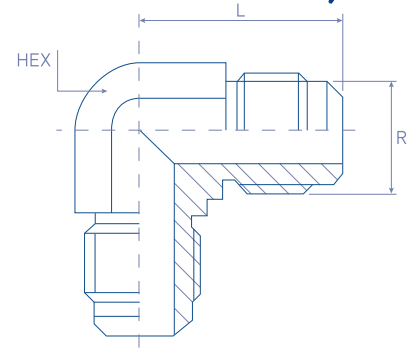
VERSIONS: BALFIT® STAINLESS STEEL
NPT FEMALE X JIC MALE CONNECTOR (add
an 'S' at the end of the part number; ex:
35.280.0404 S)



Balfit® 90° Elbow JIC Male Union

35.500.

ISO 8434-2 / J514



REFERENCE	tube		thread	dimensions		
	mm	inch	R	L	HEX	
35.500.0404	6	1/4"	7/16" - 20	22	14	
35.500.0505	8	5/16"	1/2" - 20	25	14	
35.500.0606	10	3/8"	9/16" - 18	25	14	
35.500.0808	12	1/2"	3/4" - 16	31	19	
35.500.1010	15	5/8"	7/8" - 14	35	22	
35.500.1212	20	3/4"	1.1/16" - 12	41	27	
35.500.1616	25	1"	1.5/16" - 12	50	35	
35.500.2020	32	1.1/4"	1.5/8" - 12	55	44	
35.500.2424	38	1.1/2"	1.7/8" - 12	61	50	
35.500.3232	50	2"	2.1/2" - 12	75	65	

MATERIAL: Carbon Steel zinc-plated

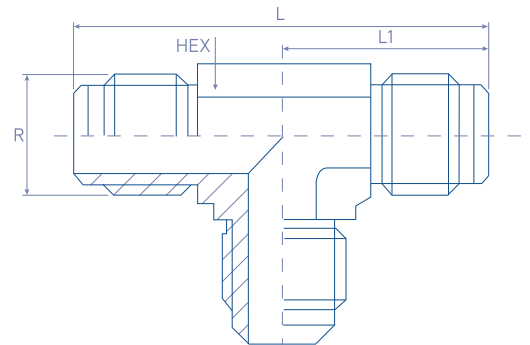
FINISH: Chromium - (VI) Free Plating

VERSIONS: BALFIT® STAINLESS STEEL 90° ELBOW UNION (add an 'S' at the end of the part number; ex: 35.500.04 S)

Union Tee JIC Male

35.505.

ISO 8434-2 / J514



REFERENCE	tube		thread	dimensions		
	mm	inch	R	L	L1	HEX
35.505.040404	6	1/4"	7/16" - 20	45	23	11
35.505.050505	8	5/16"	1/2" - 20	48	24	13
35.505.060606	10	3/8"	9/16" - 18	54	27	14
35.505.080808	12	1/2"	3/4" - 16	64	32	19
35.505.101010	15	5/8"	7/8" - 14	74	37	22
35.505.121212	20	3/4"	1.1/16" - 12	84	42	27
35.505.161616	25	1"	1.5/16" - 12	92	46	33
35.505.202020	32	1.1/4"	1.5/8" - 12	105	52	41
35.505.242424	38	1.1/2"	1.7/8" - 12	118	59	48
35.505.323232	50	2"	2.1/2" - 12	156	78	65

MATERIAL: Carbon Steel zinc-plated

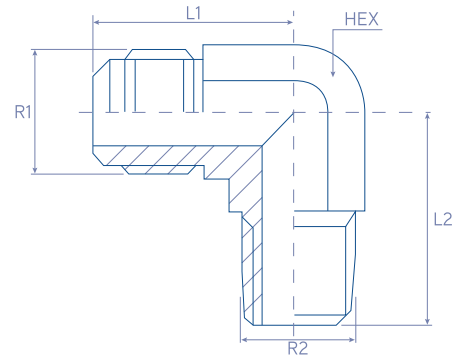
FINISH: Chromium - (VI) Free Plating

VERSIONS: BALFIT® STAINLESS STEEL UNION TEE (add an 'S' at the end of the part number; ex: 35.505.04 S)

Balfit® 90° Elbow Male Connector (JIC x NPT)

35.525.

ISO 8434-2 / SAE J514 / SAE J476A



REFERENCE	tube		thread		dimensions		
	mm	inch	R1	R2	L1	L2	HEX
35.525.0402	6	1/4"	7/16" - 20	1/8" - 27	25	24	14
35.525.0404	6	1/4"	7/16" - 20	1/4" - 18	26	27	14
35.525.0502	8	5/16"	1/2" - 20	1/8" - 18	26	24	14
35.525.0504	8	5/16"	1/2" - 20	1/4" - 18	26	27	14
35.525.0604	10	3/8"	9/16" - 18	1/4" - 18	26	27	14
35.525.0606	10	3/8"	9/16" - 18	3/8" - 18	27	32	19
35.525.0608	10	3/8"	9/16" - 18	1/2" - 14	27	36	22
35.525.0806	12	1/2"	3/4" - 16	3/8" - 18	35	32	19
35.525.0808	12	1/2"	3/4" - 16	1/2" - 14	36	36	22
35.525.0812	12	1/2"	3/4" - 16	3/4" - 14	36	40	27
35.525.1006	14	5/8"	7/8" - 14	3/8" - 18	34	37	22
35.525.1008	15	5/8"	7/8" - 14	1/2" - 14	34	36	22
35.525.1012	16	5/8"	7/8" - 14	3/4" - 14	39	43	27
35.525.1208	18	3/4"	1.1/16" - 12	1/2" - 14	40	42	27
35.525.1212	20	3/4"	1.1/16" - 12	3/4" - 14	40	43	27
35.525.1612	25	1"	1.5/16" - 12	3/4" - 14	47	46	35
35.525.1616	25	1"	1.5/16" - 12	1" - 11	47	47	35
35.525.2016	32	1.1/4"	1.5/8" - 12	1" - 11	56	57	44
35.525.2020	32	1.1/4"	1.5/8" - 12	1.1/4" - 11.1/2"	56	59	44
35.525.2424	38	1.1/2"	1.7/8" - 12	1.1/2" - 11.1/2"	62	62	50
35.525.3232	50	2"	2.1/2" - 12	2" - 11.1/2"	74	74	65

MATERIAL: Carbon Steel zinc-plated

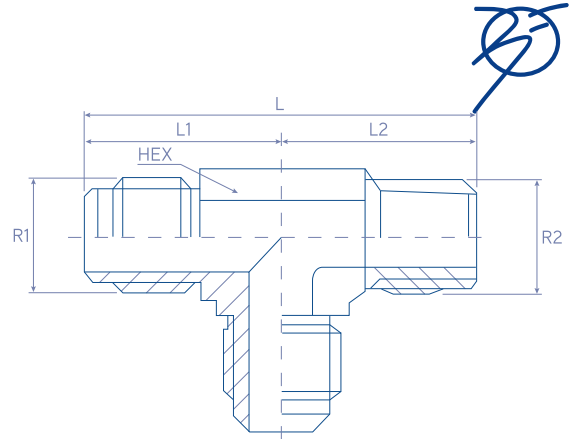
FINISH: Chromium - (VI) Free Plating

VERSIONS: BALFIT® STAINLESS STEEL 90° ELBOW MALE CONNECTOR (JIC X NPT)
(add an 'S' at the end of the part number; ex: 35.525.0808 S)

Balfit® NPT Run Tee

35.530.

SAE J516 / SAE J476A



REFERENCE	tube		thread		dimensions			
	mm	inch	R1	R2	L	L1	L2	HEX
35.530.040204	6	1/4"	7/16" - 20	1/8" - 27	43	23	20	11
35.530.040404	6	1/4"	7/16" - 20	1/4" - 18	53	25	28	11
35.530.050405	8	5/16"	1/2" - 20	1/4" - 18	51	24	27	13
35.530.060406	10	3/8"	9/16" - 18	1/4" - 18	55	27	28	14
35.530.060606	10	3/8"	9/16" - 18	3/8" - 18	55	27	28	14
35.530.080608	12	1/2"	3/4" - 16	3/8" - 18	63	32	31	19
35.530.080808	12	1/2"	3/4" - 16	1/2" - 14	63	32	31	19
35.530.100810	16	5/8"	7/8" - 14	1/2" - 14	74	37	37	22
35.530.121212	20	3/4"	1.1/16" - 12	3/4" - 14	82	42	40	27
35.530.161616	25	1"	1.5/16" - 12	1" - 11.1/2"	96	46	50	33

MATERIAL: Carbon Steel zinc-plated

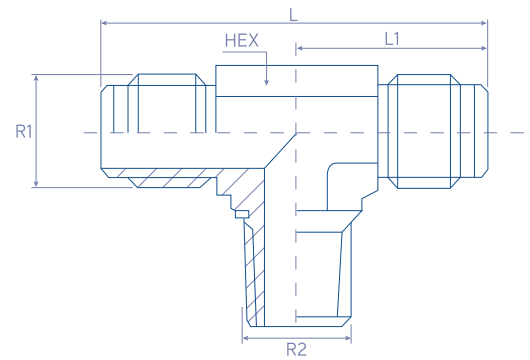
FINISH: Chromium - (VI) Free Plating

VERSIONS: BALFIT® STAINLESS STEEL NPT RUN TEE (add an 'S' at the end of the part number; ex: 35.530.0808 S)

Balfit® NPT Branch Tee

35.535.

SAE J516 / SAE J476A



REFERENCE	tube		thread		dimensions		
	mm	inch	R1	R2	L	L1	HEX
35.535.040402	6	1/4"	7/16" - 20	1/8" - 27	43	23	11
35.535.040404	6	1/4"	7/16" - 20	1/4" - 18	53	25	11
35.535.050504	8	5/16"	1/2" - 20	1/4" - 18	51	24	13
35.535.060604	10	3/8"	9/16" - 18	1/4" - 18	55	27	14
35.535.060606	10	3/8"	9/16" - 18	3/8" - 18	55	27	14
35.535.080806	12	1/2"	3/4" - 16	3/8" - 18	63	32	19
35.535.080808	12	1/2"	3/4" - 16	1/2" - 18	63	32	19
35.535.101008	16	5/8"	7/8" - 14	1/2" - 14	74	37	21
35.535.121212	20	3/4"	1.1/16" - 12	3/4" - 14	82	42	27
35.535.161616	25	1"	1.5/16" - 12	1" - 11.1/2"	96	46	33

MATERIAL: Carbon Steel zinc-plated

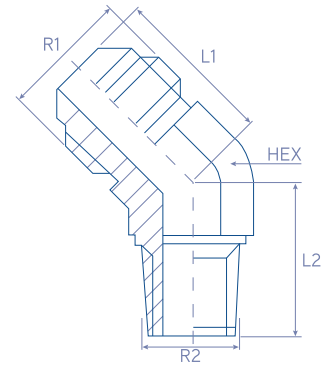
FINISH: Chromium - (VI) Free Plating

VERSIONS: BALFIT® STAINLESS STEEL NPT BRANCH TEE (add an 'S' at the end of the part number; ex: 35.535.0808 S)

Balfit® 45° Elbow Male Connector (JIC x NPT)

35.540.

ISO 8434-2 / SAE J514 / SAE J516 / SAE J476A



REFERENCE	tube		thread		dimensions		
	mm	inch	R1	R2	L1	L2	HEX
35.540.0402	6	1/4"	7/16" - 20	1/8" - 27	20	18	14
35.540.0404	6	1/4"	7/16" - 20	1/4" - 18	21	20	14
35.540.0502	8	5/16"	1/2" - 20	1/8" - 18	22	20	14
35.540.0504	8	5/16"	1/2" - 20	1/4" - 18	22	20	14
35.540.0604	10	3/8"	9/16" - 18	1/4" - 18	22	20	14
35.540.0606	10	3/8"	9/16" - 18	3/8" - 18	22	23	19
35.540.0608	10	3/8"	9/16" - 18	1/2" - 14	22	28	22
35.540.0806	12	1/2"	3/4" - 16	3/8" - 18	19	23	19
35.540.0808	12	1/2"	3/4" - 16	1/2" - 14	19	28	22
35.540.0812	12	1/2"	3/4" - 16	3/4" - 14	19	29	27
35.540.1006	14	5/8"	7/8" - 14	3/8" - 18	29	23	22
35.540.1008	15	5/8"	7/8" - 14	1/2" - 14	29	28	22
35.540.1012	16	5/8"	7/8" - 14	3/4" - 14	29	29	27
35.540.1208	18	3/4"	1.1/16" - 12	1/2" - 14	29	28	27
35.540.1212	20	3/4"	1.1/16" - 12	3/4" - 14	29	29	27
35.540.1612	25	1"	1.5/16" - 12	3/4" - 14	29	29	35
35.540.1616	25	1"	1.5/16" - 12	1" - 11.1/2"	38	38	35
35.540.2016	32	1.1/4"	1.5/8" - 12	1" - 11.1/2"	42	43	44
35.540.2020	32	1.1/4"	1.5/8" - 12	1.1/4" - 11.1/2"	42	43	44
35.540.2424	38	1.1/2"	1.7/8" - 12	1.1/2" - 11.1/2"	44	43	50
35.540.3232	50	2"	2.1/2" - 12	2" - 11.1/2"	53	52	65

MATERIAL: Carbon Steel zinc-plated

FINISH: Chromium - (VI) Free Plating

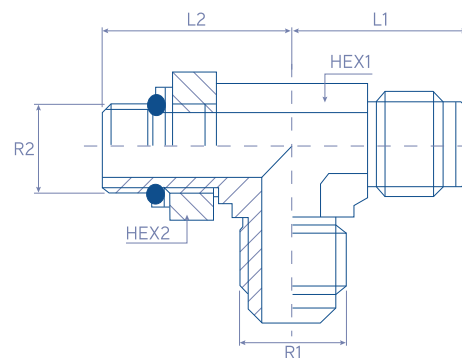
VERSIONS: BALFIT® STAINLESS STEEL 45° ELBOW CONNECTOR (add an 'S' at the end of the part number; ex: 35.540.0806 S)



Balfit® Orientable SAE-ORB Run Tee

35.580.

ISO 8434-2 / SAE J514



REFERENCE	tube		thread		dimensions			
	mm	inch	R1	R2	L1	L2	HEX1	HEX2
35.580.040404	6	1/4"	7/16" - 20	7/16" - 20	23	26	11	14
35.580.050505	8	5/16"	1/2" - 20	1/2" - 20	24	28	13	16
35.580.060606	10	3/8"	9/16" - 18	9/16" - 18	27	32	14	17
35.580.080808	12	1/2"	3/4" - 16	3/4" - 16	32	37	19	22
35.580.101010	15	5/8"	7/8" - 14	7/8" - 14	37	43	22	27
35.580.121212	20	3/4"	1.1/16" - 12	1.1/16" - 12	42	49	27	32
35.580.161616	25	1"	1.5/16" - 12	1.5/16" - 12	46	52	33	38

MATERIAL: Carbon Steel zinc-plated

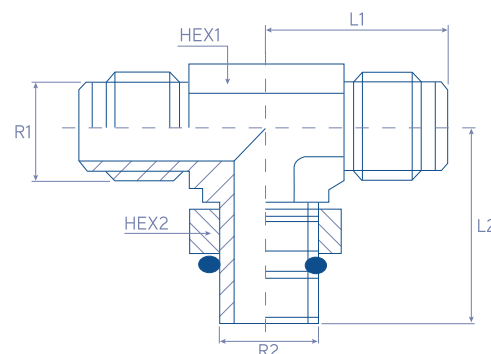
FINISH: Chromium - (VI) Free Plating

VERSIONS: BALFIT® STAINLESS STEEL
ORIENTABLE SAE-ORB O-RING BOSS RUN
TEE (add an 'S' at the end of the part number;
ex: 35.580.0808 S)

Balfit® Orientable SAE-ORB Branch Tee

35.585.

ISO 8434-2 / SAE J514



REFERENCE	tube		thread		dimensions			
	mm	inch	R1	R2	L1	L2	HEX1	HEX2
35.585.040404	6	1/4"	7/16" - 20	7/16" - 20	23	26	11	14
35.585.050505	8	5/16"	1/2" - 20	1/2" - 20	24	28	13	16
35.585.060606	10	3/8"	9/16" - 18	9/16" - 18	27	32	14	17
35.585.080808	12	1/2"	3/4" - 16	3/4" - 16	32	37	19	22
35.585.101010	15	5/8"	7/8" - 14	7/8" - 14	37	43	22	27
35.585.121212	20	3/4"	1.1/16" - 12	1.1/16" - 12	42	49	27	32
35.585.161616	25	1"	1.5/16" - 12	1.5/16" - 12	46	52	33	38

MATERIAL: Carbon Steel zinc-plated

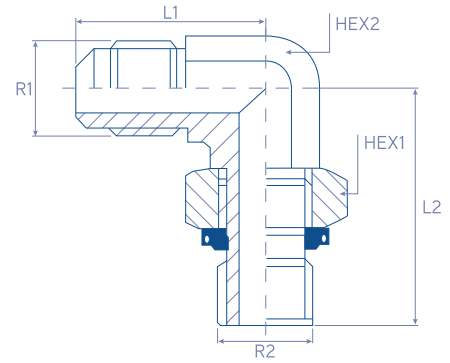
FINISH: Chromium - (VI) Free Plating

VERSIONS: BALFIT® STAINLESS STEEL
ORIENTABLE SAE-ORB O-RING BOSS
BRANCH TEE (add an 'S' at the end of the
part number; ex: 35.585.0808 S)

Balfit® 90° Elbow JIC Male x SAE-ORB

35.575.

ISO 8434-2 / SAE J514



REFERENCE	tube		thread		dimensions			
	mm	inch	R1	R2	L1	L2	HEX1	HEX2
35.575.0404	6	1/4"	7/16" - 20	7/16" - 20	27	32	14	11
35.575.0406	6	1/4"	7/16" - 20	9/16" - 18	29	37	22	19
35.575.0505	8	5/16"	1/2" - 20	1/2" - 20	29	37	17	14
35.575.0604	10	3/8"	9/16" - 18	7/16" - 20	27	33	19	14
35.575.0606	10	3/8"	9/16" - 18	9/16" - 18	29	37	22	19
35.575.0608	10	3/8"	9/16" - 18	3/4" - 16	32	44	27	22
35.575.0612	10	3/8"	9/16" - 18	1.1/16" - 12	35	50	36	27
35.575.0804	12	1/2"	3/4" - 16	7/16" - 20	32	37	19	19
35.575.0806	12	1/2"	3/4" - 16	9/16" - 18	32	37	22	19
35.575.0808	12	1/2"	3/4" - 16	3/4" - 16	34	44	27	22
35.575.0812	12	1/2"	3/4" - 16	1.1/16" - 12	37	50	36	27
35.575.1006	15	5/8"	7/8" - 14	9/16" - 18	37	41	22	22
35.575.1008	15	5/8"	7/8" - 14	3/4" - 16	37	44	27	22
35.575.1010	15	5/8"	7/8" - 14	7/8" - 14	37	44	27	27
35.575.1208	20	3/4"	1.1/16" - 12	3/4" - 16	42	48	27	27
35.575.1212	20	3/4"	1.1/16" - 12	1.1/16" - 12	42	50	36	27
35.575.1216	20	3/4"	1.1/16" - 12	1.5/16" - 12	46	54	41	33
35.575.1612	25	1"	1.5/16" - 12	1.1/16" - 12	46	52	36	33
35.575.1616	25	1"	1.5/16" - 12	1.5/16" - 12	46	54	41	33
35.575.1620	25	1"	1.5/16" - 12	1.5/8" - 12	53	57	50	41
35.575.2016	32	1.1/4"	1.5/8" - 12	1.5/16" - 12	53	60	41	41
35.575.2020	32	1.1/4"	1.5/8" - 12	1.5/8" - 12	53	57	50	41
35.575.2420	38	1.1/2"	1.7/8" - 12	1.5/8" - 12	59	64	55	48
35.575.2424	38	1.1/2"	1.7/8" - 12	1.7/8" - 12	59	64	55	48

MATERIAL: Carbon Steel zinc-plated

FINISH: Chromium - (VI) Free Plating

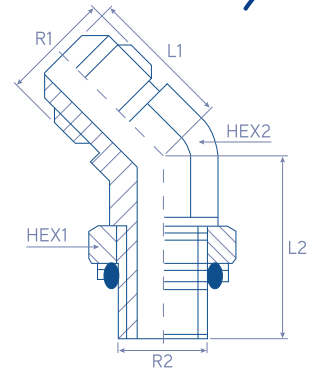
VERSIONS: BALFIT® STAINLESS STEEL
90° ELBOW JIC MALE X SAE-ORB (add
an "S" at the end of the part number; ex:
35.575.0808S)



Balfit® 45° Elbow JIC Male x SAE-ORB

35.590.

ISO 8434-2 / SAE J514



REFERENCE	tube		thread		dimensions			
	mm	inch	R1	R2	L1	L2	HEX1	HEX2
35.590.0404	6	1/4"	7/16" - 20	7/16" - 20	18	27	14	11
35.590.0505	8	5/16"	1/2" - 20	1/2" - 20	20	27	16	13
35.590.0606	10	3/8"	9/16" - 18	9/16" - 18	21	29	17	14
35.590.0608	10	3/8"	9/16" - 18	3/4" - 16	22	33	22	19
35.590.0806	12	1/2"	3/4" - 16	9/16" - 18	25	32	22	19
35.590.0808	12	1/2"	3/4" - 16	3/4" - 16	25	33	22	19
35.590.1010	15	5/8"	7/8" - 14	7/8" - 14	28	39	27	22
35.590.1212	20	3/4"	1.1/16" - 12	1.1/16" - 12	33	44	32	27
35.590.1616	25	1"	1.5/16" - 12	1.5/16" - 12	37	47	38	33
35.590.2020	32	1.1/4"	1.5/8" - 12	1.5/8" - 12	39	47	50	41

MATERIAL: Carbon Steel zinc-plated

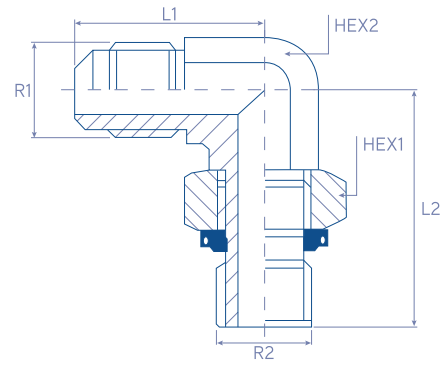
FINISH: Chromium - (VI) Free Plating

VERSIONS: BALFIT® STAINLESS STEEL 45°
ELBOW JIC MALE X SAE-ORB
(add an 'S' at the end of the part number; ex:
35.590.0808 S)

Balfit® 90° Elbow JIC Male x BSPP Male

35.600.

ISO 8434-2 / SAE J514 / ISO 8434-6



REFERENCE	tube		thread		dimensions			
	mm	inch	R1	R2	L1	L2	HEX1	HEX2
35.600.0402	6	1/4"	7/16" - 20	1/8" - 28	23	26	11	11
35.600.0404	6	1/4"	7/16" - 20	1/4" - 19	27	32	14	14
35.600.0504	8	5/16"	1/2" - 20	1/4" - 19	27	33	14	14
35.600.0604	10	3/8"	9/16" - 18	1/4" - 19	27	32	14	14
35.600.0606	10	3/8"	9/16" - 18	3/8" - 19	29	37	19	19
35.600.0806	12	1/2"	3/4" - 16	3/8" - 19	32	37	19	19
35.600.0808	12	1/2"	3/4" - 16	1/2" - 14	34	43	22	22
35.600.1006	14	5/8"	7/8" - 14	3/8" - 19	37	43	22	22
35.600.1008	15	5/8"	7/8" - 14	1/2" - 14	43	43	22	22
35.600.1012	16	5/8"	7/8" - 14	3/4" - 14	37	50	27	36
35.600.1208	20	3/4"	1.1/16" - 12	1/2" - 14	42	50	27	27
35.600.1212	20	3/4"	1.1/16" - 12	3/4" - 14	42	50	27	36
35.600.1616	25	1"	1.5/16" - 12	1" - 11	46	52	33	41
35.600.2020	32	1.1/4"	1.5/8" - 12	1.1/4" - 11	52	57	41	50
35.600.2424	38	1.1/2"	1.7/8" - 12	1.1/2" - 11	59	61	48	55

MATERIAL: Carbon Steel zinc-plated

FINISH: Chromium - (VI) Free Plating

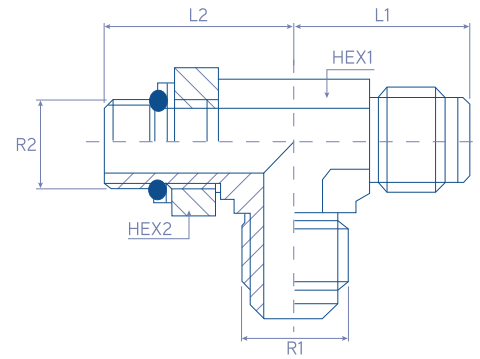
VERSIONS: BALFIT® STAINLESS STEEL
90° ELBOW JIC MALE X BSPP MALE (add
an 'S' at the end of the part number; ex:
35.600.0808 S)



Balfit® Orientable BSPP Run Tee

35.605.

ISO 8434-2 / SAE J514 / ISO 8434-6



REFERENCE	tube		thread		dimensions			
	mm	inch	R1	R2	L1	L2	HEX1	HEX2
35.605.040204	6	1/4"	7/16" - 20	1/8" - 28	23	26	14	11
35.605.040404	6	1/4"	7/16" - 20	7/16" - 20	32	27	19	14
35.605.050205	8	5/16"	1/2" - 20	1/8" - 28	24	28	14	13
35.605.060406	10	3/8"	9/16" - 18	1/4" - 19	27	32	19	14
35.605.060606	10	3/8"	9/16" - 18	3/8" - 19	27	37	22	19
35.605.080608	12	1/2"	3/4" - 16	3/8" - 19	32	37	22	19
35.605.080808	12	1/2"	3/4" - 16	1/2" - 19	32	37	27	22
35.605.100810	16	5/8"	7/8" - 14	1/2" - 14	37	43	27	22
35.605.121212	20	3/4"	1.1/16" - 12	3/4" - 14	42	50	36	27
35.605.161616	25	1"	1.5/16" - 12	1" - 11	52	46	41	33

MATERIAL: Carbon Steel zinc-plated

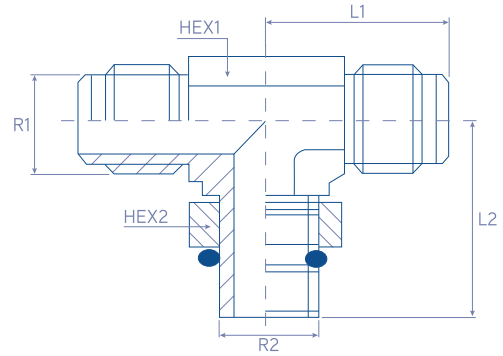
FINISH: Chromium - (VI) Free Plating

VERSIONS: BALFIT® STAINLESS STEEL
ORIENTABLE BSPP RUN TEE
(add an 'S' at the end of the part number; ex:
35.605.0808 S)

Balfit® Orientable BSPP Branch Tee

35.610.

ISO 8434-2 / SAE J514 / ISO 8434-6



REFERENCE	tube		thread		dimensions			
	mm	inch	R1	R2	L1	L2	HEX1	HEX2
35.610.040402	6	1/4"	7/16" - 20	1/8" - 28	23	26	11	14
35.610.040404	6	1/4"	7/16" - 20	7/16" - 20	27	32	14	19
35.610.050502	8	5/16"	1/2" - 20	1/8" - 28	24	28	13	14
35.610.060604	10	3/8"	9/16" - 18	1/4" - 19	27	32	14	19
35.610.060606	10	3/8"	9/16" - 18	3/8" - 19	27	37	19	22
35.610.080806	12	1/2"	3/4" - 16	3/8" - 19	32	37	19	22
35.610.080808	12	1/2"	3/4" - 16	3/4" - 16	36	43	22	27
35.610.101008	16	5/8"	7/8" - 14	1/2" - 14	37	43	22	27
35.610.121212	20	3/4"	1.1/16" - 12	3/4" - 14	42	50	27	36
35.610.161616	25	1"	1.5/16" - 12	1" - 11	46	52	33	41

MATERIAL: Carbon Steel zinc-plated

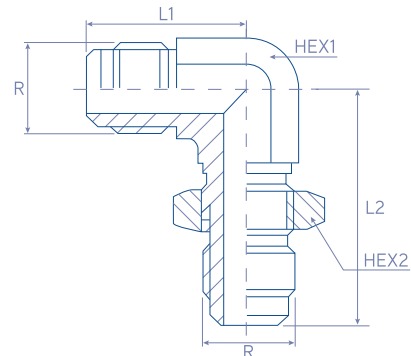
FINISH: Chromium - (VI) Free Plating

VERSIONS: BALFIT® STAINLESS STEEL ORIENTABLE BSPP BRANCH TEE (add an 'S' at the end of the part number; ex: 35.610.0808 S)

Balfit® Bulkhead 90° Elbow Union

35.650.

ISO 8434-2 / SAE J514



REFERENCE	tube		thread	dimensions			
	mm	inch	R1	L1	L2	HEX1	HEX2
35.650.0404	6	1/4"	7/16" - 20	25	40	12	28
35.650.0505	8	5/16"	1/2" - 20	26	41	13	28
35.650.0606	10	3/8"	9/16" - 18	28	46	16	30
35.650.0808	12	1/2"	3/4" - 16	35	54	19	35
35.650.1010	15	5/8"	7/8" - 14	40	61	22	39
35.650.1212	20	3/4"	1.1/16" - 12	45	68	25	43
35.650.1616	25	1"	1.5/16" - 12	49	71	28	43
35.650.2020	32	1.1/4"	1.5/8" - 12	55	79	35	44

MATERIAL: Carbon Steel zinc-plated

FINISH: Chromium - (VI) Free Plating

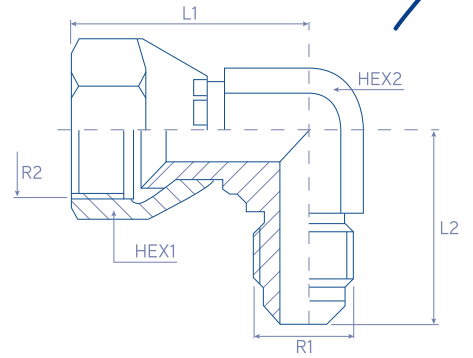
VERSIONS: BALFIT® STAINLESS STEEL BULKHEAD 90° ELBOW UNION (add an 'S' at the end of the part number; ex: 35.650.08 S)



Balfit® Swivel 90° Elbow

35.675.

ISO 8434-2 / SAE J514



REFERENCE	tube		thread		dimensions			
	mm	inch	R1	R2	L1	L2	HEX1	HEX2
35.675.0404	6	1/4"	7/16" - 20	7/16" - 20	25	23	16	11
35.675.0505	8	5/16"	1/2" - 20	1/2" - 20	27	24	16	13
35.675.0606	10	3/8"	9/16" - 18	9/16" - 18	32	27	19	14
35.675.0808	12	1/2"	3/4" - 16	3/4" - 16	35	32	22	19
35.675.1010	16	5/8"	7/8" - 14	7/8" - 14	41	37	27	22
35.675.1212	20	3/4"	1.1/16" - 12	1.1/16" - 12	44	42	32	27
35.675.1616	25	1"	1.5/16" - 12	1.5/16" - 12	51	46	38	33
35.675.2020	32	1.1/4"	1.5/8" - 12	1.5/8" - 12	59	52	50	41
35.675.2424	38	1.1/2"	1.7/8" - 12	1.7/8" - 12	66	59	60	48
35.675.3232	50	2"	2.1/2" - 12	2.1/2" - 12	78	85	66	70

MATERIAL: Carbon Steel zinc-plated

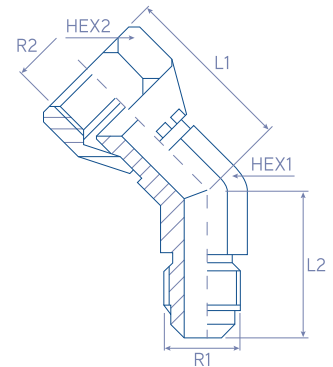
FINISH: Chromium - (VI) Free Plating

VERSIONS: BALFIT® STAINLESS STEEL
SWIVEL 90° ELBOW (add an 'S' at the end of the part number; ex: 35.675.0808 S)

Balfit® Swivel 45° Elbow

35.690.

ISO 8434-2 / SAE J514



REFERENCE	tube		thread		dimensions			
	mm	inch	R1	R2	L1	L2	HEX1	HEX2
35.690.0404	6	1/4"	7/16" - 20	7/16" - 20	18	25	16	11
35.690.0505	8	5/16"	1/2" - 20	1/2" - 20	20	27	16	13
35.690.0606	10	3/8"	9/16" - 18	9/16" - 18	21	29	19	14
35.690.0808	12	1/2"	3/4" - 16	3/4" - 16	25	32	22	19
35.690.1010	16	5/8"	7/8" - 14	7/8" - 14	28	37	27	22
35.690.1212	20	3/4"	1.1/16" - 12	1.1/16" - 12	33	46	32	27
35.690.1616	25	1"	1.5/16" - 12	1.5/16" - 12	37	46	38	33

MATERIAL: Carbon Steel zinc-plated

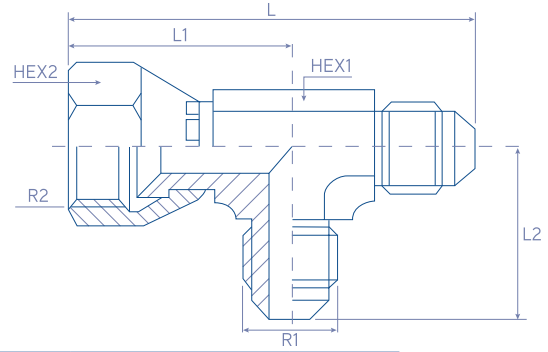
FINISH: Chromium - (VI) Free Plating

VERSIONS: BALFIT® STAINLESS STEEL
SWIVEL 45° ELBOW (add an 'S' at the end of the part number; ex: 35.690.0808 S)

Balfit® Swivel Run Tee

35.680.

ISO 8434-2 / SAE J514



REFERENCE	tube		thread		dimensions				
	mm	inch	R1	R2	L	L1	L2	HEX1	HEX2
35.680.0404	6	1/4"	7/16" - 20	7/16" - 20	48	25	23	11	16
35.680.0505	8	5/16"	1/2" - 20	1/2" - 20	51	27	24	13	16
35.680.0606	10	3/8"	9/16" - 18	9/16" - 18	59	32	27	14	19
35.680.0808	12	1/2"	3/4" - 16	3/4" - 16	67	35	32	19	22
35.680.1010	15	5/8"	7/8" - 14	7/8" - 14	78	41	37	22	27
35.680.1212	20	3/4"	1.1/16" - 12	1.1/16" - 12	87	44	42	27	32
35.680.1616	25	1"	1.5/16" - 12	1.5/16" - 12	97	51	46	33	38
35.680.2020	32	1.1/4"	1.5/8" - 12	1.5/8" - 12	111	58	52	41	50

MATERIAL: Carbon Steel zinc-plated

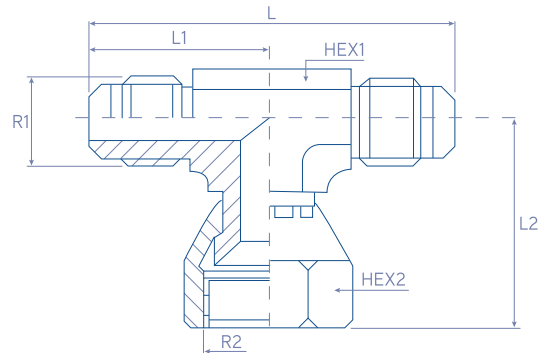
FINISH: Chromium - (VI) Free Plating

VERSIONS: BALFIT® STAINLESS STEEL SWIVEL RUN TEE (add an 'S' at the end of the part number; ex: 35.680.0808 S)

Balfit® Swivel Branch Tee

35.685.

ISO 8434-2 / SAE J514



REFERENCE	tube		thread		dimensions				
	mm	inch	R1	R2	L	L1	L2	HEX1	HEX2
35.685.0404	6	1/4"	7/16" - 20	7/16" - 20	46	23	25	11	16
35.685.0505	8	5/16"	1/2" - 20	1/2" - 20	48	24	27	13	19
35.685.0606	10	3/8"	9/16" - 18	9/16" - 18	54	27	32	14	22
35.685.0808	12	1/2"	3/4" - 16	3/4" - 16	64	32	35	19	27
35.685.1010	15	5/8"	7/8" - 14	7/8" - 14	74	37	41	22	32
35.685.1212	20	3/4"	1.1/16" - 12	1.1/16" - 12	84	42	44	27	38
35.685.1616	25	1"	1.5/16" - 12	1.5/16" - 12	92	46	51	33	50
35.685.2020	32	1.1/4"	1.5/8" - 12	1.5/8" - 12	104	52	58	41	50

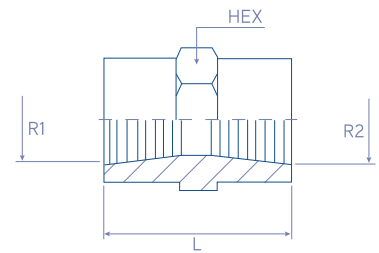
MATERIAL: Carbon Steel zinc-plated

FINISH: Chromium - (VI) Free Plating

VERSIONS: BALFIT® STAINLESS STEEL SWIVEL BRANCH TEE (add an 'S' at the end of the part number; ex: 35.685.0808 S)



Balfit® NPT Female x NPT Female Connector



35.281.

SAE J516 / SAE J476A

REFERENCE	thread		dimensions	
	R1	R2	L	HEX
35.281.0202	1/8" - 27	1/8" - 27	19	14
35.281.0402	1/4" - 18	1/8" - 27	29	19
35.281.0404	1/4" - 18	1/4" - 18	29	19
35.281.0602	3/8" - 18	1/8" - 27	29	19
35.281.0604	3/8" - 18	1/4" - 18	29	19
35.281.0606	3/8" - 18	3/8" - 18	29	19
35.281.0802	1/2" - 14	1/8" - 27	38	27
35.281.0804	1/2" - 14	1/4" - 18	38	27
35.281.0806	1/2" - 14	3/8" - 18	38	27
35.281.0808	1/2" - 14	1/2" - 14	38	27
35.281.1204	3/4" - 14	1/4" - 18	38	36
35.281.1206	3/4" - 14	3/8" - 18	39	36
35.281.1208	3/4" - 14	1/2" - 14	39	36
35.281.1212	3/4" - 14	3/4" - 14	39	36
35.281.1606	1" - 11.1/2"	3/8" - 18	39	41
35.281.1608	1" - 11.1/2"	1/2" - 14	48	41
35.281.1612	1" - 11.1/2"	3/4" - 14	48	41
35.281.1616	1" - 11.1/2"	1" - 11.1/2"	48	41
35.281.2012	1.1/4" - 11.1/2"	3/4" - 14	49	50
35.281.2016	1.1/4" - 11.1/2"	1" - 11.1/2"	49	50
35.281.2020	1.1/4" - 11.1/2"	1.1/4" - 11.1/2"	49	50
35.281.2416	1.1/2" - 11.1/2"	1" - 11.1/2"	49	60
35.281.2420	1.1/2" - 11.1/2"	1.1/4" - 11.1/2"	49	60
35.281.2424	1.1/2" - 11.1/2"	1.1/2" - 11.1/2"	49	60
35.281.3232	2" - 11.1/2"	2" - 11.1/2"	50	75

MATERIAL: Carbon Steel zinc-plated

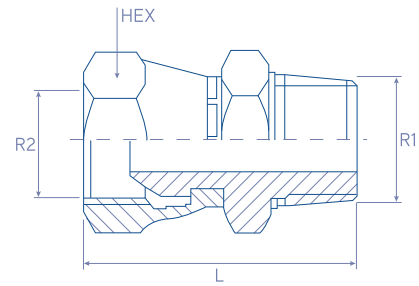
FINISH: Chromium - (VI) Free Plating

VERSIONS: BALFIT® STAINLESS STEEL NPT FEMALE X NPT FEMALE CONNECTOR
(add an 'S' at the end of the part number;
ex: 35.281.0808 S)

Balfit® NPT Male x Swivel NPSM Female Connector

35.282.

SAE J516 / SAE J476A



REFERENCE	thread		dimensions	
	R1	R2	L	HEX
35.282.0202	1/8" - 27	1/8" - 27	25	17
35.282.0402	1/4" - 18	1/8" - 27	30	17
35.282.0404	1/4" - 18	1/4" - 18	31	17
35.282.0406	1/4" - 18	3/8" - 18	32	22
35.282.0408	1/4" - 18	1/2" - 14	36	22
35.282.0604	3/8" - 18	1/4" - 18	33	22
35.282.0606	3/8" - 18	3/8" - 18	33	22
35.282.0608	3/8" - 18	1/2" - 14	33	25
35.282.0804	1/2" - 14	1/4" - 18	39	25
35.282.0806	1/2" - 14	3/8" - 18	40	25
35.282.0808	1/2" - 14	1/2" - 14	41	25
35.282.0812	1/2" - 14	3/4" - 14	44	32
35.282.1206	3/4" - 14	3/8" - 18	39	32
35.282.1208	3/4" - 14	1/2" - 14	42	32
35.282.1212	3/4" - 14	3/4" - 14	44	32
35.282.1216	3/4" - 14	1" - 11.1/2"	45	36
35.282.1220	3/4" - 14	1.1/4" - 11.1/2"	47	46
35.282.1606	1" - 11.1/2"	3/8" - 18	46	36
35.282.1608	1" - 11.1/2"	1/2" - 14	46	36
35.282.1612	1" - 11.1/2"	3/4" - 14	47	36
35.282.1616	1" - 11.1/2"	1" - 11.1/2"	51	36
35.282.1620	1" - 11.1/2"	1.1/4" - 11.1/2"	52	46
35.282.2016	1.1/4" - 11.1/2"	1" - 11.1/2"	51	46
35.282.2020	1.1/4" - 11.1/2"	1.1/4" - 11.1/2"	52	46
35.282.2024	1.1/4" - 11.1/2"	1.1/2" - 11.1/2"	56	55
35.282.2420	1.1/2" - 11.1/2"	1.1/4" - 11.1/2"	55	55
35.282.2424	1.1/2" - 11.1/2"	1.1/2" - 11.1/2"	56	55
35.282.3232	2" - 11.1/2"	2" - 11.1/2"	60	65

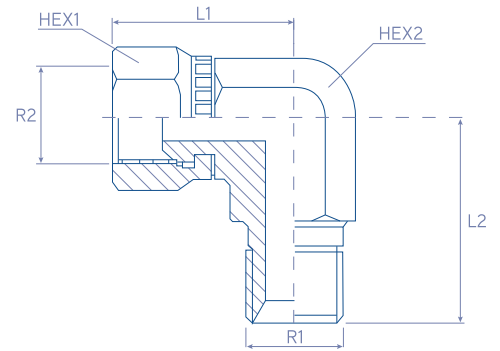
MATERIAL: Carbon Steel zinc-plated

FINISH: Chromium - (VI) Free Plating

VERSIONS: BALFIT® STAINLESS STEEL NPT MALE X SWIVEL NPSM FEMALE CONNECTOR (add an 'S' at the end of the part number; ex: 35.282.0404 S)



Balfit® 90° Elbow NPT Male x Swivel NPSM Female



35.283.

SAE J516 / SAE J476A

REFERENCE	thread		dimensions			
	R1	R2	L1	L2	HEX1	HEX2
35.283.0202	1/8" - 27	1/8" - 27	23	20	14	14
35.283.0204	1/8" - 27	1/4" - 18	23	22	14	14
35.283.0402	1/4" - 18	1/8" - 27	28	20	14	14
35.283.0404	1/4" - 18	1/4" - 18	28	22	14	14
35.283.0406	1/4" - 18	3/8" - 18	31	25	19	19
35.283.0408	1/4" - 18	1/2" - 14	33	28	22	22
35.283.0604	3/8" - 18	1/4" - 18	31	25	19	19
35.283.0606	3/8" - 18	3/8" - 18	31	25	19	19
35.283.0608	3/8" - 18	1/2" - 14	33	28	22	22
35.283.0612	3/8" - 18	3/4" - 14	29	33	32	32
35.283.0804	1/2" - 14	1/4" - 18	37	26	22	22
35.283.0806	1/2" - 14	3/8" - 18	37	26	22	22
35.283.0808	1/2" - 14	1/2" - 14	37	28	22	22
35.283.0812	1/2" - 14	3/4" - 14	40	33	27	27
35.283.1204	3/4" - 14	1/4" - 18	51	24	32	32
35.283.1206	3/4" - 14	3/8" - 18	40	32	27	27
35.283.1208	3/4" - 14	1/2" - 14	40	34	27	27
35.283.1212	3/4" - 14	3/4" - 14	40	33	27	27
35.283.1216	3/4" - 14	1" - 11.1/2"	45	39	33	33
35.283.1220	3/4" - 14	1.1/4" - 11.1/2"	60	41	46	46
35.283.1608	1" - 11.1/2"	1/2" - 14	60	31	38	38
35.283.1612	1" - 11.1/2"	3/4" - 14	50	36	32	32
35.283.1616	1" - 11.1/2"	1" - 11.1/2"	50	39	32	32
35.283.1620	1" - 11.1/2"	1.1/4" - 11.1/2"	60	44	41	41
35.283.2012	1.1/4" - 11.1/2"	3/4" - 14	67	40	46	46
35.283.2016	1.1/4" - 11.1/2"	1" - 11.1/2"	60	43	41	41
35.283.2020	1.1/4" - 11.1/2"	1.1/4" - 11.1/2"	60	44	41	41
35.283.2024	1.1/4" - 11.1/2"	1.1/2" - 11.1/2"	71	44	55	55
35.283.2420	1.1/2" - 11.1/2"	1.1/4" - 11.1/2"	67	45	46	46
35.283.2424	1.1/2" - 11.1/2"	1.1/2" - 11.1/2"	67	48	46	46
35.283.3232	2" - 11.1/2"	2" - 11.1/2"	76	58	65	65

MATERIAL: Carbon Steel zinc-plated

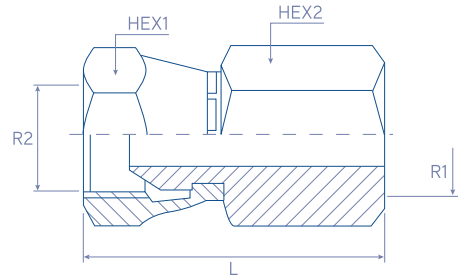
FINISH: Chromium - (VI) Free Plating

VERSIONS: BALFIT® STAINLESS STEEL
MALE 90° ELBOW NPT MALE X SWIVEL
NPSM FEMALE (add an 'S' at the end of the
part number; ex: 35.283.0404 S)

Balfit® NPT Female x Swivel NPSM Female

35.285.

SAE J516 / SAE J476A



REFERENCE	thread		dimensions		
	R1	R2	L	HEX1	HEX2
35.285.0204	1/8" - 27	1/4" - 18	32	17	17
35.285.0402	1/4" - 18	1/8" - 27	30	17	17
35.285.0404	1/4" - 18	1/4" - 18	31	17	17
35.285.0406	1/4" - 18	3/8" - 18	32	17	17
35.285.0604	3/8" - 18	1/4" - 18	33	19	19
35.285.0606	3/8" - 18	3/8" - 18	33	19	19
35.285.0608	3/8" - 18	1/2" - 14	34	22	22
35.285.0804	1/2" - 14	1/4" - 18	39	22	22
35.285.0806	1/2" - 14	3/8" - 18	37	22	22
35.285.0808	1/2" - 14	1/2" - 14	38	22	22
35.285.0812	1/2" - 14	3/4" - 14	41	32	32
35.285.1208	3/4" - 14	1/2" - 14	39	32	32
35.285.1212	3/4" - 14	3/4" - 14	41	31	31
35.285.1216	3/4" - 14	1" - 11.1/2"	49	36	36
35.285.1612	1" - 11.1/2"	3/4" - 14	49	36	36
35.285.1616	1" - 11.1/2"	1" - 11.1/2"	51	36	36
35.285.2020	1.1/4" - 11.1/2"	1.1/4" - 11.1/2"	51	46	46
35.285.2424	1.1/2" - 11.1/2"	1.1/2" - 11.1/2"	51	55	55
35.285.3232	2" - 11.1/2"	2" - 11.1/2"	54	65	65

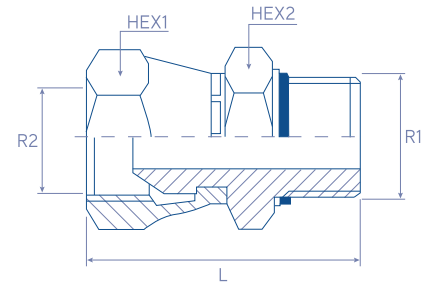
MATERIAL: Carbon Steel zinc-plated

FINISH: Chromium - (VI) Free Plating

VERSIONS: BALFIT® STAINLESS STEEL
NPT FEMALE X SWIVEL NPSM FEMALE
(add an 'S' at the end of the part number; ex:
35.285.0404 S)



Balfit® SAE-ORB Male x Swivel NPSM Female



35.286.

ISO 8434-2 / SAE J514 / SAE J516 / SAE J476A

REFERENCE	thread		dimensions		
	R1	R2	L	HEX1	HEX2
35.286.0402	7/16" - 20	1/8" - 27	27	14	14
35.286.0404	7/16" - 20	1/4" - 18	28	14	14
35.286.0406	7/16" - 20	3/8" - 18	29	19	19
35.286.0408	7/16" - 20	1/2" - 14	31	19	19
35.286.0504	1/2" - 20	1/4" - 18	28	17	17
35.286.0506	1/2" - 20	3/8" - 18	31	19	19
35.286.0604	9/16" - 18	1/4" - 18	27	17	17
35.286.0606	9/16" - 18	3/8" - 18	30	17	17
35.286.0608	9/16" - 18	1/2" - 14	31	22	22
35.286.0804	3/4" - 16	1/4" - 18	31	22	22
35.286.0806	3/4" - 16	3/8" - 18	31	22	22
35.286.0808	3/4" - 16	1/2" - 14	31	22	22
35.286.0812	3/4" - 16	3/4" - 14	36	25	25
35.286.1006	7/8" - 14	3/8" - 18	34	25	25
35.286.1008	7/8" - 14	1/2" - 14	41	25	25
35.286.1012	7/8" - 14	3/4" - 14	38	25	25
35.286.1206	1.1/16" - 12	3/8" - 18	39	32	32
35.286.1208	1.1/16" - 12	1/2" - 14	37	32	32
35.286.1212	1.1/16" - 12	3/4" - 14	40	32	32
35.286.1216	1.1/16" - 12	1" - 11.1/2"	41	32	32
35.286.1412	1.3/16" - 12	3/4" - 14	50	36	36
35.286.1416	1.3/16" - 12	1" - 11.1/2"	44	36	36
35.286.1608	1.5/16" - 12	1/2" - 14	41	36	36
35.286.1612	1.5/16" - 12	3/4" - 14	43	41	41
35.286.1616	1.5/16" - 12	1" - 11.1/2"	43	41	41
35.286.1620	1.5/16" - 12	1.1/4" - 11.1/2"	48	46	46
35.286.2012	1.5/8" - 12	3/4" - 14	45	46	46
35.286.2016	1.5/8" - 12	1" - 11.1/2"	46	46	46
35.286.2020	1.5/8" - 12	1.1/4" - 11.1/2"	57	46	46
35.286.2420	1.7/8" - 12	1.1/4" - 11.1/2"	50	55	55
35.286.2424	1.7/8" - 12	1.1/2" - 11.1/2"	50	55	55
35.286.3232	2.1/2" - 12	2" - 11.1/2"	55	55	55

MATERIAL: Carbon Steel zinc-plated

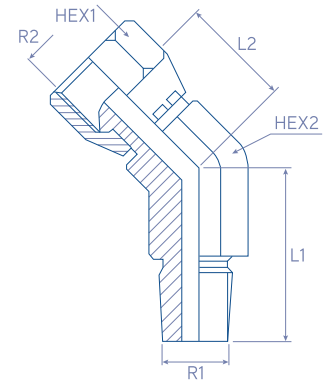
FINISH: Chromium - (VI) Free Plating

VERSIONS: BALFIT® STAINLESS STEEL
SAE-ORB MALE X SWIVEL NPSM FEMALE
(add an 'S' at the end of the part number; ex:
35.286.0404 S)

Balfit® 45° Elbow NPT Male x NPSM Swivel Female

35.287.

ISO 8434-2 / SAE J516 / SAE J476A



REFERENCE	thread		dimensions			
	R1	R2	L1	L2	HEX1	HEX2
35.287.0204	1/8" - 27	1/4" - 18	17	12	17	17
35.287.0402	1/4" - 18	1/8" - 27	23	13	17	17
35.287.0404	1/4" - 18	1/4" - 18	22	19	14	14
35.287.0406	1/4" - 18	3/8" - 18	19	27	22	22
35.287.0408	1/4" - 18	1/2" - 14	33	18	25	25
35.287.0604	3/8" - 18	1/4" - 18	24	20	19	19
35.287.0606	3/8" - 18	3/8" - 18	24	21	19	19
35.287.0608	3/8" - 18	1/2" - 14	25	22	22	22
35.287.0804	1/2" - 14	1/4" - 18	19	35	25	25
35.287.0806	1/2" - 14	3/8" - 18	30	21	22	22
35.287.0808	1/2" - 14	1/2" - 14	30	22	22	22
35.287.0812	1/2" - 14	3/4" - 14	30	26	27	27
35.287.1206	3/4" - 14	3/8" - 18	34	25	32	32
35.287.1208	3/4" - 14	1/2" - 14	30	27	27	27
35.287.1212	3/4" - 14	3/4" - 14	30	26	27	27
35.287.1216	3/4" - 14	1" - 11.1/2"	33	29	33	33
35.287.1612	1" - 11.1/2"	3/4" - 14	38	26	33	33
35.287.1616	1" - 11.1/2"	1" - 11.1/2"	38	29	33	33
35.287.1620	1" - 11.1/2"	1.1/4" - 11.1/2"	42	31	41	41
35.287.2016	1.1/4" - 11.1/2"	1" - 11.1/2"	42	30	41	41
35.287.2020	1.1/4" - 11.1/2"	1.1/4" - 11.1/2"	42	31	41	41
35.287.2424	1.1/2" - 11.1/2"	1.1/2" - 11.1/2"	45	34	48	48
35.287.3232	2" - 11.1/2"	2" - 11.1/2"	54	37	64	64

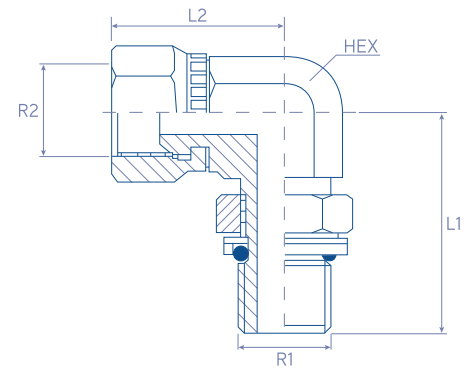
MATERIAL: Carbon Steel zinc-plated

FINISH: Chromium - (VI) Free Plating

VERSIONS: BALFIT® STAINLESS STEEL 45° ELBOW NPT MALE X NPSM SWIVEL FEMALE (add an 'S' at the end of the part number; ex: 35.287.0404 S)



Balfit® 90° Elbow SAE-ORB Male x NPSM Swivel Female



35.289.

ISO 8434-2 / SAE J514 / SAE J516 / SAE J476A

REFERENCE	thread		dimensions		
	R1	R2	L1	L2	HEX
35.289.0402	7/16" - 20	1/8" - 27	28	19	14
35.289.0404	7/16" - 20	1/4" - 18	26	25	19
35.289.0406	7/16" - 20	3/8" - 18	32	24	22
35.289.0408	7/16" - 20	1/2" - 14	33	26	25
35.289.0504	1/2" - 20	1/4" - 18	29	20	19
35.289.0604	9/16" - 18	1/4" - 18	32	27	19
35.289.0606	9/16" - 18	3/8" - 18	32	28	22
35.289.0608	9/16" - 18	1/2" - 14	35	34	27
35.289.0804	3/4" - 16	1/4" - 18	38	23	19
35.289.0806	3/4" - 16	3/8" - 18	37	30	22
35.289.0808	3/4" - 16	1/2" - 14	37	34	27
35.289.0812	3/4" - 16	3/4" - 14	41	42	33
35.289.1004	7/8" - 14	1/4" - 18	42	23	29
35.289.1006	7/8" - 14	3/8" - 18	43	32	29
35.289.1008	7/8" - 14	1/2" - 14	43	35	29
35.289.1012	7/8" - 14	3/4" - 14	45	41	29
35.289.1206	1.1/16" - 12	3/8" - 18	49	28	32
35.289.1208	1.1/16" - 12	1/2" - 14	49	38	32
35.289.1212	1.1/16" - 12	3/4" - 14	49	42	42
35.289.1216	1.1/16" - 12	1" - 11.1/2"	51	32	42
35.289.1412	1.3/16" - 12	3/4" - 14	49	32	32
35.289.1416	1.3/16" - 12	1" - 11.1/2"	51	53	32
35.289.1612	1.5/16" - 12	3/4" - 14	53	25	33
35.289.1616	1.5/16" - 12	1" - 11.1/2"	52	48	48
35.289.1620	1.5/16" - 12	1.1/4" - 11.1/2"	57	56	56
35.289.2012	1.5/8" - 12	3/4" - 14	63	51	51
35.289.2016	1.5/8" - 12	1" - 11.1/2"	57	53	53
35.289.2020	1.5/8" - 12	1.1/4" - 11.1/2"	57	56	56
35.289.2424	1.7/8" - 12	1.1/2" - 11.1/2"	66	44	65
35.289.3232	2.1/2" - 12	2" - 11.1/2"	83	59	71

MATERIAL: Carbon Steel zinc-plated

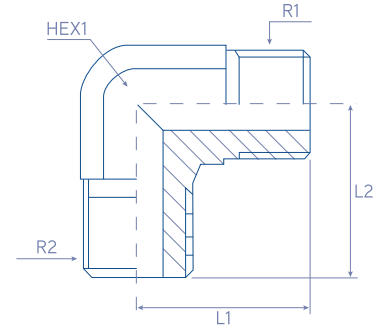
FINISH: Chromium - (VI) Free Plating

VERSIONS: BALFIT® STAINLESS STEEL 90° ELBOW SAE-ORB MALE X NPSM SWIVEL FEMALE (add an 'S' at the end of the part number; ex: 35.289.0404 S)

Balfit® NPT Male 90° Elbow

35.800.

SAE J516 / SAE J476A



REFERENCE	thread		dimensions		
	R1	R2	L1	L2	HEX
35.800.0202	1/8" - 27	1/8" - 27	20	20	14
35.800.0402	1/4" - 18	1/8" - 27	28	23	14
35.800.0404	1/4" - 18	1/4" - 18	28	28	14
35.800.0604	3/8" - 18	1/4" - 18	31	31	19
35.800.0606	3/8" - 18	3/8" - 18	31	31	19
35.800.0804	1/2" - 14	1/4" - 18	37	33	22
35.800.0806	1/2" - 14	3/8" - 18	37	33	22
35.800.0808	1/2" - 14	1/2" - 14	37	37	22
35.800.1208	3/4" - 14	1/2" - 14	40	40	27
35.800.1212	3/4" - 14	3/4" - 14	40	40	27
35.800.1608	1" - 11.1/2"	1/2" - 14	50	45	35
35.800.1612	1" - 11.1/2"	3/4" - 14	50	45	35
35.800.1616	1" - 11.1/2"	1" - 11.1/2"	50	50	35
35.800.2020	1.1/4" - 11.1/2"	1.1/4" - 11.1/2"	60	60	44
35.800.2424	1.1/2" - 11.1/2"	1.1/2" - 11.1/2"	67	67	50
35.800.3232	2" - 11.1/2"	2" - 11.1/2"	76	76	65

MATERIAL: Carbon Steel zinc-plated

FINISH: Chromium - (VI) Free Plating

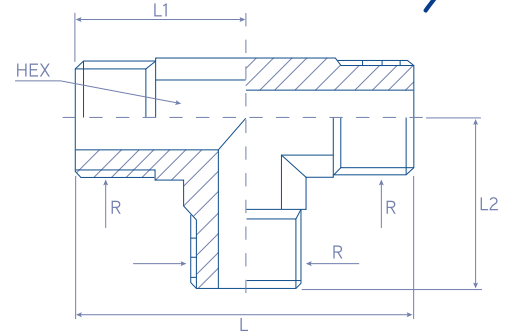
VERSIONS: BALFIT® STAINLESS STEEL NPT MALE 90° ELBOW (add an 'S' at the end of the part number; ex: 35.800.0404 S)



Balfit® NPT Male Tee

35.801.

SAE J516 / SAE J476A



REFERENCE	thread		dimensions			
	R	L	L1	L2	HEX	
35.801.020202	1/8" - 27	40	20	20	12	
35.801.040404	1/4" - 18	56	28	28	14	
35.801.060606	3/8" - 18	62	31	31	19	
35.801.080808	1/2" - 14	74	37	37	22	
35.801.121212	3/4" - 14	80	40	40	27	
35.801.161616	1" - 11.1/2"	100	50	50	32	

MATERIAL: Carbon Steel zinc-plated

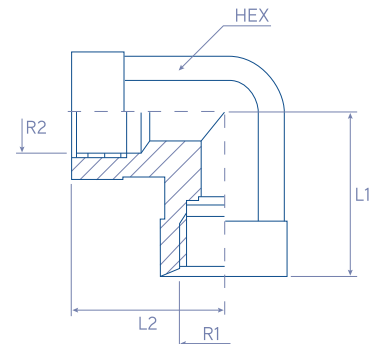
FINISH: Chromium - (VI) Free Plating

VERSIONS: BALFIT® STAINLESS STEEL NPT MALE TEE (add an 'S' at the end of the part number; ex: 35.801.0404 S)

Balfit® 90° Elbow NPT Female

35.802.

SAE J516 / SAE J476A



REFERENCE	thread		dimensions			
	R1	R2	L1	L2	HEX	
35.802.0202	1/8" - 27	1/8" - 27	17	17	19	
35.802.0404	1/4" - 18	1/4" - 18	22	22	19	
35.802.0604	3/8" - 18	1/4" - 18	26	26	22	
35.802.0606	3/8" - 18	3/8" - 18	26	26	22	
35.802.0808	1/2" - 14	1/2" - 14	31	31	27	
35.802.1212	3/4" - 14	3/4" - 14	35	35	32	
35.802.1616	1" - 11.1/2"	1" - 11.1/2"	41	41	41	
35.802.2020	1.1/4" - 11.1/2"	1.1/4" - 11.1/2"	43	43	46	
35.802.2424	1.1/2" - 11.1/2"	1.1/2" - 11.1/2"	53	53	65	
35.802.3232	2" - 11.1/2"	2" - 11.1/2"	61	61	75	

MATERIAL: Carbon Steel zinc-plated

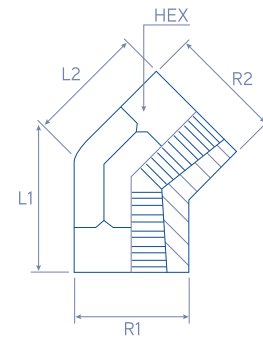
FINISH: Chromium - (VI) Free Plating

VERSIONS: BALFIT® STAINLESS STEEL 90° ELBOW NPT FEMALE (add an 'S' at the end of the part number; ex: 35.802.04 S)

Balfit® 45° Elbow NPT Female

35.813.

SAE J516 / SAE J476A



REFERENCE	thread		dimensions		
	R1	R2	L1	L2	HEX
35.813.0404	1/4" - 18	1/4" - 18	18	18	19
35.813.0606	3/8" - 18	3/8" - 18	19	19	22
35.813.0808	1/2" - 14	1/2" - 14	24	24	27
35.813.1212	3/4" - 14	3/4" - 14	25	25	32
35.813.1616	1" - 11.1/2"	1" - 11.1/2"	30	30	41
35.813.2020	1.1/4" - 11.1/2"	1.1/4" - 11.1/2"	37	37	50

MATERIAL: Carbon Steel zinc-plated

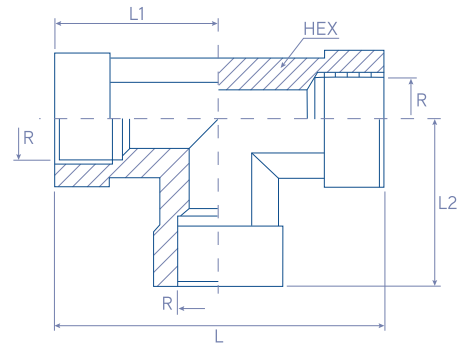
FINISH: Chromium - (VI) Free Plating

VERSIONS: BALFIT® STAINLESS STEEL 45° ELBOW NPT FEMALE (add an 'S' at the end of the part number; ex: 35.813.04 S)

Balfit® NPT Female Tee

35.803.

SAE J516 / SAE J476A



REFERENCE	thread	dimensions			
	R	L	L1	L2	HEX
35.803.0404	1/4" - 18	44	22	22	19
35.803.0606	3/8" - 18	52	26	26	22
35.803.0808	1/2" - 14	62	31	31	27
35.803.1212	3/4" - 14	70	35	35	32
35.803.1616	1" - 11.1/2"	82	41	41	41
35.803.2020	1.1/4" - 11.1/2"	86	43	43	46
35.803.2424	1.1/2" - 11.1/2"	106	53	53	65
35.803.3232	2" - 11.1/2"	122	61	61	75

MATERIAL: Carbon Steel zinc-plated

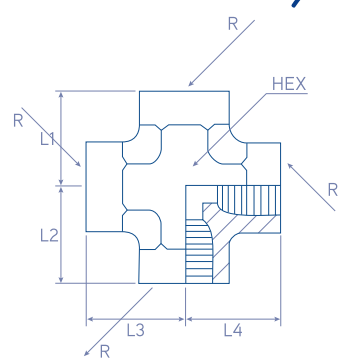
FINISH: Chromium - (VI) Free Plating

VERSIONS: BALFIT® STAINLESS STEEL NPT FEMALE TEE (add an 'S' at the end of the part number; ex: 35.803.0404 S)



Balfit® NPT Female Cross

35.804.
SAE J516 / SAE J476A



REFERENCE	thread	dimensions				
	R	L1	L2	L3	L4	HEX
35.804.04040404	1/4" - 18	22	22	22	22	22
35.804.06060606	3/8" - 18	26	26	26	26	26
35.804.08080808	1/2" - 14	31	31	31	31	31
35.804.12121212	3/4" - 14	35	35	35	35	35
35.804.16161616	1" - 11.1/2"	41	41	41	41	41
35.804.20202020	1.1/4" - 11.1/2"	41	41	41	41	46
35.804.24242424	1.1/2" - 11.1/2"	41	41	41	41	65
35.804.32323232	2" - 11.1/2"	61	61	61	61	70

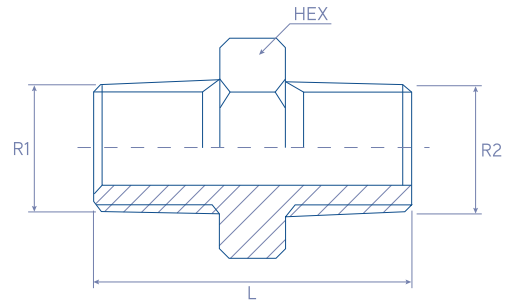
MATERIAL: Carbon Steel zinc-plated **FINISH:** Chromium - (VI) Free Plating **VERSIONS:** BALFIT® STAINLESS STEEL NPT FEMALE CROSS (add an 'S' at the end of the part number; ex: 35.804.0404 S)

Balflex assumes no liability for typographical errors or other errors. For any precise technical information you must always contact our technical department. Dimensions and Data shown may be changed without notice.

Balfit® NPT Male Union

35.805.

SAE J516 / SAE J476A



REFERENCE	thread		dimensions	
	R1	R2	L	HEX
35.805.0202	1/8" - 27	1/8" - 27	27	12
35.805.0402	1/4" - 18	1/8" - 27	32	17
35.805.0404	1/4" - 18	1/4" - 18	37	17
35.805.0602	3/8" - 18	1/8" - 27	32	19
35.805.0604	3/8" - 18	1/4" - 18	37	19
35.805.0606	3/8" - 18	3/8" - 18	37	19
35.805.0804	1/2" - 14	1/4" - 18	43	22
35.805.0806	1/2" - 14	3/8" - 18	43	22
35.805.0808	1/2" - 14	1/2" - 14	48	22
35.805.1204	3/4" - 14	1/4" - 18	45	28
35.805.1206	3/4" - 14	3/8" - 18	45	28
35.805.1208	3/4" - 14	1/2" - 14	50	28
35.805.1212	3/4" - 14	3/4" - 14	50	28
35.805.1604	1" - 11.1/2"	1/4" - 18	50	35
35.805.1606	1" - 11.1/2"	3/8" - 18	50	35
35.805.1608	1" - 11.1/2"	1/2" - 14	55	35
35.805.1612	1" - 11.1/2"	3/4" - 14	55	35
35.805.1616	1" - 11.1/2"	1" - 11.1/2"	59	35
35.805.2012	1.1/4" - 11.1/2"	3/4" - 14	61	46
35.805.2016	1.1/4" - 11.1/2"	1" - 11.1/2"	62	46
35.805.2020	1.1/4" - 11.1/2"	1.1/4" - 11.1/2"	63	46
35.805.2412	1.1/2" - 11.1/2"	3/4" - 14	60	50
35.805.2416	1.1/2" - 11.1/2"	1" - 11.1/2"	65	50
35.805.2420	1.1/2" - 11.1/2"	1.1/4" - 11.1/2"	66	50
35.805.2424	1.1/2" - 11.1/2"	1.1/2" - 11.1/2"	66	50
35.805.3216	2" - 11.1/2"	1" - 11.1/2"	69	65
35.805.3220	2" - 11.1/2"	1.1/4" - 11.1/2"	70	65
35.805.3224	2" - 11.1/2"	1.1/2" - 11.1/2"	70	65
35.805.3232	2" - 11.1/2"	2" - 11.1/2"	72	65

MATERIAL: Carbon Steel zinc-plated

FINISH: Chromium - (VI) Free Plating

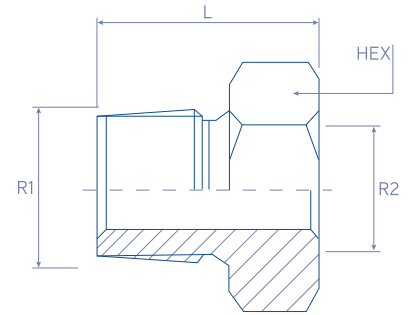
VERSIONS: BALFIT® STAINLESS STEEL NPT MALE UNION (add an 'S' at the end of the part number; ex: 35.805.0404 S)



Balfit® NPT Thread Reducer Bushing

35.806.

SAE J516 / SAE J476A



REFERENCE	thread		dimensions	
	R1	R2	L	HEX
35.806.0402	1/4" - 18	1/8" - 27	22	17
35.806.0602	3/8" - 18	1/8" - 27	22	19
35.806.0604	3/8" - 18	1/4" - 18	22	19
35.806.0802	1/2" - 14	1/8" - 27	28	22
35.806.0804	1/2" - 14	1/4" - 18	28	22
35.806.0806	1/2" - 14	3/8" - 18	28	22
35.806.1202	3/4" - 14	1/8" - 27	30	30
35.806.1204	3/4" - 14	1/4" - 18	30	30
35.806.1206	3/4" - 14	3/8" - 18	30	30
35.806.1208	3/4" - 14	1/2" - 14	30	30
35.806.1602	1" - 11.1/2"	1/8" - 27	35	36
35.806.1604	1" - 11.1/2"	1/4" - 18	35	36
35.806.1606	1" - 11.1/2"	3/8" - 18	35	36
35.806.1608	1" - 11.1/2"	1/2" - 14	35	36
35.806.1612	1" - 11.1/2"	3/4" - 14	35	35
35.806.2004	1.1/4" - 11.1/2"	1/4" - 18	37	37
35.806.2006	1.1/4" - 11.1/2"	3/8" - 18	37	37
35.806.2008	1.1/4" - 11.1/2"	1/2" - 14	37	37
35.806.2012	1.1/4" - 11.1/2"	3/4" - 14	37	37
35.806.2016	1.1/4" - 11.1/2"	1" - 11.1/2"	37	37
35.806.2404	1.1/2" - 11.1/2"	1/4" - 18	40	40
35.806.2406	1.1/2" - 11.1/2"	3/8" - 18	40	40
35.806.2408	1.1/2" - 11.1/2"	1/2" - 14	40	40
35.806.2412	1.1/2" - 11.1/2"	3/4" - 14	40	40
35.806.2416	1.1/2" - 11.1/2"	1" - 11.1/2"	40	40
35.806.2420	1.1/2" - 11.1/2"	1.1/4" - 11.1/2"	40	40
35.806.3206	2" - 11.1/2"	3/8" - 18	44	44
35.806.3208	2" - 11.1/2"	1/2" - 14	44	44
35.806.3212	2" - 11.1/2"	3/4" - 14	44	44
35.806.3216	2" - 11.1/2"	1" - 11.1/2"	44	44
35.806.3220	2" - 11.1/2"	1.1/4" - 11.1/2"	44	44
35.806.3224	2" - 11.1/2"	1.1/2" - 11.1/2"	44	44

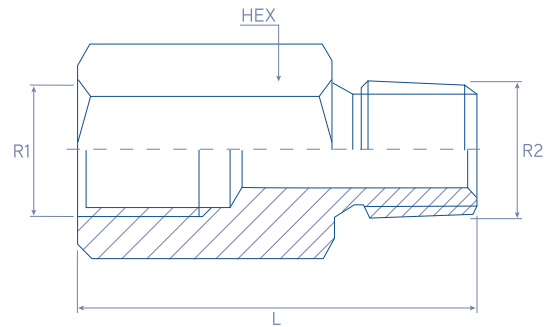
MATERIAL: Carbon Steel zinc-plated

FINISH: Chromium - (VI) Free Plating

VERSIONS: BALFIT® STAINLESS STEEL NPT
THREAD REDUCER (add an 'S' at the end of
the part number; ex: 35.806.0402 S)

Balfit® Female NPT to Male NPT Expander

35.807.
SAE J516 / SAE J476A



REFERENCE	thread		dimensions	
	R1	R2	L	HEX
35.807.0204	1/8" - 27	1/4" - 18	31	17
35.807.0206	1/8" - 27	3/8" - 18	36	17
35.807.0402	1/4" - 18	1/8" - 27	31	19
35.807.0404	1/4" - 18	1/4" - 18	35	19
35.807.0406	1/4" - 18	3/8" - 18	37	19
35.807.0602	3/8" - 18	1/8" - 27	32	22
35.807.0604	3/8" - 18	1/4" - 18	37	22
35.807.0606	3/8" - 18	3/8" - 18	36	22
35.807.0608	3/8" - 18	1/2" - 14	47	22
35.807.0612	3/8" - 18	3/4" - 14	41	25
35.807.0802	1/2" - 14	1/8" - 27	38	32
35.807.0804	1/2" - 14	1/4" - 18	43	32
35.807.0806	1/2" - 14	3/8" - 18	43	32
35.807.0808	1/2" - 14	1/2" - 14	47	32
35.807.0812	1/2" - 14	3/4" - 14	49	32
35.807.0816	1/2" - 14	1" - 11.1/2"	52	32
35.807.1204	3/4" - 14	1/4" - 18	44	36
35.807.1206	3/4" - 14	3/8" - 18	44	36
35.807.1208	3/4" - 14	1/2" - 14	49	36
35.807.1212	3/4" - 14	3/4" - 14	49	36
35.807.1216	3/4" - 14	1" - 11.1/2"	54	35
35.807.1612	1" - 11.1/2"	3/4" - 14	55	41
35.807.1616	1" - 11.1/2"	1" - 11.1/2"	60	41
35.807.1620	1" - 11.1/2"	1.1/4" - 11.1/2"	64	46
35.807.2012	1.1/4" - 11.1/2"	3/4" - 14	58	51
35.807.2016	1.1/4" - 11.1/2"	1" - 11.1/2"	62	51
35.807.2020	1.1/4" - 11.1/2"	1.1/4" - 11.1/2"	63	51
35.807.2024	1.1/4" - 11.1/2"	1.1/2" - 11.1/2"	56	51
35.807.2416	1.1/2" - 11.1/2"	1" - 11.1/2"	63	61
35.807.2420	1.1/2" - 11.1/2"	1.1/4" - 11.1/2"	64	60
35.807.2424	1.1/2" - 11.1/2"	1.1/2" - 11.1/2"	64	60
35.807.3220	2" - 11.1/2"	1.1/4" - 11.1/2"	66	75
35.807.3224	2" - 11.1/2"	1.1/2" - 11.1/2"	67	75
35.807.3232	2" - 11.1/2"	2" - 11.1/2"	67	75

MATERIAL: Carbon Steel zinc-plated

FINISH: Chromium - (VI) Free Plating

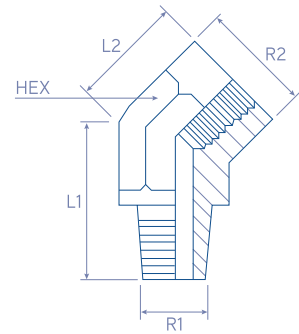
VERSIONS: BALFIT® STAINLESS STEEL NPT TO MALE NPT EXPANDER (add an 'S' at the end of the part number; ex: 35.807.0402 S)



Balfit® 45° Elbow Female NPT to Male NPT

35.808.

SAE J516 / SAE J476A



REFERENCE	thread		dimensions		
	R1	R2	L1	L2	HEX
35.808.0202	1/8" - 27	1/8" - 27	18	12	14
35.808.0404	1/4" - 18	1/4" - 18	27	16	19
35.808.0606	3/8" - 18	3/8" - 18	27	18	22
35.808.0808	1/2" - 14	1/2" - 14	34	23	27
35.808.1212	3/4" - 14	3/4" - 14	35	25	32
35.808.1616	1" - 11.1/2"	1" - 11.1/2"	44	44	41
35.808.2020	1.1/4" - 11.1/2"	1.1/4" - 11.1/2"	46	41	46

MATERIAL: Carbon Steel zinc-plated

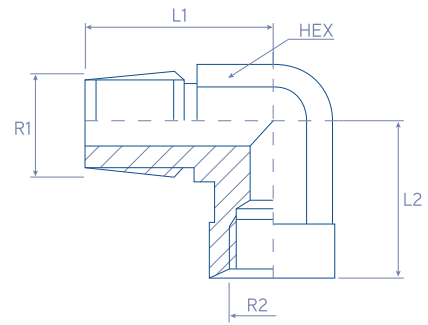
FINISH: Chromium - (VI) Free Plating

VERSIONS: BALFIT® STAINLESS STEEL
45° ELBOW FEMALE NPT TO MALE NPT
(add an 'S' at the end of the part number; ex:
35.808.0404 S)

Balfit® 90° Elbow Female NPT to Male NPT

35.809.

SAE J516 / SAE J476A



REFERENCE	thread		dimensions		
	R1	R2	L1	L2	HEX
35.809.0202	1/8" - 27	1/8" - 27	23	17	17
35.809.0204	1/8" - 27	1/4" - 18	23	22	19
35.809.0402	1/4" - 18	1/8" - 27	28	17	17
35.809.0404	1/4" - 18	1/4" - 18	28	22	19
35.809.0406	1/4" - 18	3/8" - 18	31	26	22
35.809.0408	1/4" - 18	1/2" - 14	33	31	27
35.809.0602	3/8" - 18	1/8" - 27	31	20	22
35.809.0604	3/8" - 18	1/4" - 18	31	26	22
35.809.0606	3/8" - 18	3/8" - 18	31	26	22
35.809.0608	3/8" - 18	1/2" - 14	33	31	27
35.809.0804	1/2" - 14	1/4" - 18	37	25	22
35.809.0806	1/2" - 14	3/8" - 18	37	26	22
35.809.0808	1/2" - 14	1/2" - 14	37	31	27
35.809.0812	1/2" - 14	3/4" - 14	40	35	32
35.809.1208	3/4" - 14	1/2" - 14	40	31	27
35.809.1212	3/4" - 14	3/4" - 14	40	35	32
35.809.1612	1" - 11.1/2"	3/4" - 14	50	35	32
35.809.1616	1" - 11.1/2"	1" - 11.1/2"	50	41	41
35.809.2016	1.1/4" - 11.1/2"	1" - 11.1/2"	60	41	41
35.809.2020	1.1/4" - 11.1/2"	1.1/4" - 11.1/2"	60	43	46
35.809.2420	1.1/2" - 11.1/2"	1.1/4" - 11.1/2"	67	43	51
35.809.2424	1.1/2" - 11.1/2"	1.1/2" - 11.1/2"	67	53	65
35.809.3232	2" - 11.1/2"	2" - 11.1/2"	76	61	70

MATERIAL: Carbon Steel zinc-plated

FINISH: Chromium - (VI) Free Plating

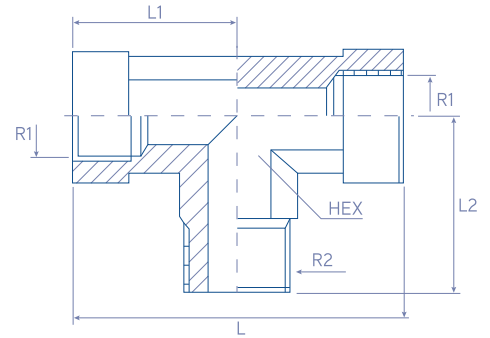
VERSIONS: BALFIT® STAINLESS STEEL
90° ELBOW FEMALE NPT TO MALE NPT
(add an 'S' at the end of the part number; ex:
35.809.0404 S)



Balfit® Female NPT to Male NPT Branch Tee

35.810.

SAE J516 / SAE J476A



REFERENCE	thread		dimensions			
	R1	R2	L	L1	L2	HEX
35.810.040404	1/4" - 18	1/4" - 18	44	22	28	19
35.810.060606	3/8" - 18	3/8" - 18	52	26	31	22
35.810.080808	1/2" - 14	1/2" - 14	62	31	37	27
35.810.121212	3/4" - 14	3/4" - 14	70	35	40	32
35.810.161616	1" - 11.1/2"	1" - 11.1/2"	82	41	50	41
35.810.202020	1.1/4" - 11.1/2"	1.1/4" - 11.1/2"	86	43	60	51
35.810.242424	1.1/2" - 11.1/2"	1.1/2" - 11.1/2"	106	53	67	65

MATERIAL: Carbon Steel zinc-plated

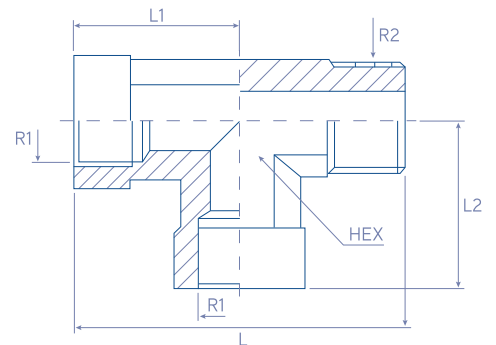
FINISH: Chromium - (VI) Free Plating

VERSIONS: BALFIT® STAINLESS STEEL
FEMALE NPT TO MALE NPT BRANCH TEE
(add an 'S' at the end of the part number; ex:
35.810.0404 S)

Balfit® Female NPT to Male NPT Run Tee

35.811.

SAE J516 / SAE J476A



REFERENCE	thread		dimensions			
	R1	R2	L	L1	L2	HEX
35.811.040404	1/4" - 18	1/4" - 18	50	22	22	19
35.811.060606	3/8" - 18	3/8" - 18	57	26	26	22
35.811.080808	1/2" - 14	1/2" - 14	68	31	31	27
35.811.121212	3/4" - 14	3/4" - 14	75	35	35	32
35.811.161616	1" - 11.1/2"	1" - 11.1/2"	91	41	41	41
35.811.202020	1.1/4" - 11.1/2"	1.1/4" - 11.1/2"	103	43	43	50
35.811.242424	1.1/2" - 11.1/2"	1.1/2" - 11.1/2"	120	53	53	65
35.811.323232	2" - 11.1/2"	2" - 11.1/2"	137	61	61	75

MATERIAL: Carbon Steel zinc-plated

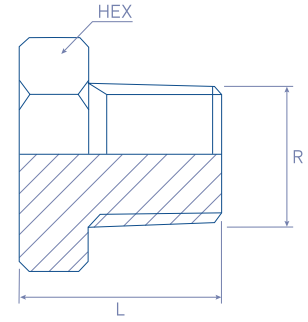
FINISH: Chromium - (VI) Free Plating

VERSIONS: BALFIT® STAINLESS STEEL
FEMALE NPT TO MALE NPT RUN TEE
(add an 'S' at the end of the part number; ex:
35.811.0404 S)

Balfit® NPT Hex Male Plug

35.812.

SAE J516 / SAE J476A



REFERENCE	thread	dimensions	
	R	L	HEX
35.812.0202	1/8" - 27	15	12
35.812.0404	1/4" - 18	20	14
35.812.0606	3/8" - 18	20	17
35.812.0808	1/2" - 14	25	19
35.812.1212	3/4" - 14	27	27
35.812.1616	1" - 11.1/2"	35	36
35.812.2020	1.1/4" - 11.1/2"	37	46
35.812.2424	1.1/2" - 11.1/2"	40	50
35.812.3232	2" - 11.1/2"	44	65

MATERIAL: Carbon Steel zinc-plated

FINISH: Chromium - (VI) Free Plating

VERSIONS: BALFIT® STAINLESS STEEL NPT MALE PLUG (add an 'S' at the end of the part number; ex: 35.812.0404 S)

PRODUCTS LIMITED WARRANTY

The products sold by Balflex® are warranted to our customers to be free from defects in material and workmanship when shipment at Balflex® warehouses takes place.

All warranty claims shall be made present in writing to Balflex®. Balflex® liability hereunder is limited to the purchase price of the merchandise proving to be defective or, at balflex sole discretion, to the replacement of such merchandise upon its authorized return to Balflex®.

This warranty is in lieu of and excludes all other warranties, or conditions expressed, implied, statutory or otherwise created under applicable law including, but not limited to the warranty of merchantability and the warranty of fitness for a particular purpose.

In addition, this warranty shall not apply and will be null and void to any products or portions thereof that have been subject to abuse, misuse, improper installation, maintenance or operation, electrical failure or abnormal conditions and to products that have been tampered with, altered, modified, repaired, reworked by anyone not approved by balflex or used in any other manner inconsistent with any Balflex® instructions or specifications. Balflex® disclaims any liability for any hose assemblies which have not been produced with in conformance with Balflex® assembly recommendations and parts.

In no event shall balflex have any liability whatsoever to any person, including without limitation, any immediate buyer, purchaser or other third party, for any special, punitive, incidental or consequential damages, including without limitation, profit loss or customer loss, loss or damage to physical property of customer or any other person and loss of anticipated revenue, profits, goodwill, savings or other economic loss of customer or any other person.

Specification subject to change without prior notice.
Errors and omission excluded.



U.S.A. and Canada

6000 South Loop East Freeway
Houston, Tx 77033
United States of America
Tel: (1) 713-928-6064
Email: sales@balflex.com
www.balflexusa.com

Europe Headquarters

R. Bouça dos Estilhadouros, 226/254
4445-044 Alfena, Portugal
Tel: (351) 229 698 160
Email: balflex@balflex.com
www.balflex.com

Germany

Franckensteinstraße 8
77749 Hohberg
Tel: (49) 07808 4318857
Email: info@2bhydraulik.de
www.balflex.com

South America

R. Padre Cesari Lelli, 1014
Rodovia BR-116
CEP 83420-000 Quatro Barras/PR
Brasil
Tel: (55) 41 3671 3450
Email: comercial@balflex.com.br
www.balflex.com

www.balflex.com

An ISO 9001:2015 Company:



Cofinanciado por:



UNIÃO EUROPEIA
Fundo Europeu de Desenvolvimento Regional

