

Balflex[®]



**INDUSTRIAL
COUPLINGS
CATALOG**

European Technology

*Established since 1963, **Balflex®** is a European international group of companies dedicated to the design, production, assembly and distribution of all types of high-tech products for conduction of fluids, measuring of pressure and power transmission at very high quality level.*

*6 decades of know-how and expertise in this field, makes **Balflex®** the first choice for the mining, agriculture, off-shore and construction industries.*

*Today the **Balflex®** Group covers worldwide users through our own company's production facilities, branches and net of certified distributors.*

Balflex® valorizes the inside meaning of the words we use: **Excellence** the quality of being outstanding; **Innovation** the action or process of innovating; **Partnership** cooperation relationship between two or more people, having in mind a common goal; **Tradition** way of thinking or acting, inherited from previous generations.

Quality

Quality is very important for us. We have fully equipped, modern laboratories and equipment, employing the industries most experienced personnel.

Balflex® has earned various certifications for our Management Systems and Products. This reliable and consistent approach has allowed us to achieve our ISO 9001:2015 certification. At Balflex® quality and service always comes first. We are dedicated to continue the development of new products with a strong emphasis on quality.

Member of:



Certified by:



The image displays two DNV Management System Certificates. The left certificate is for Balflex Portugal - Componentes Hidráulicos e Industriais, S.A., certifying its ISO 9001:2015 system. The right certificate is for Balflex Brasil Ltda., certifying its ISO 9001:2015 system for the manufacture and distribution of hydraulic and industrial PVC hoses. Both certificates include details on the scope of certification, the issuing date, and the responsible official.

Industrial Couplings

Balflex® industrial couplings are designed for use with Balflex® industrial hoses.

The range of Balflex® industrial couplings is produced according to Balflex® and to other widespread industrial specifications. Balflex® has optimized the construction of these industrial couplings in order to assure top rated performance, reliability and economy.

The present catalogue comprises:



Cam and groove lock couplings



Compressed air lines couplings



Shank type fittings



Clamps

The Balflex® industrial couplings part code is composed of three groups of digits:

44 . YYXX . XXX XXX M

A B C D E

A series

B design type

C nominal diameter (nominal diameter in " x 100, ex: 150 stands for 1.5 inches)

D step-down size or modified construction reference (only where applicable)

E material: no letter = carbon steel, zinc plated; S - stainless steel; PP - polypropylene; PA - polyamide (nylon); CI - cast iron; BR - brass; AL - aluminum; BZ - bronze

Construction characteristics and dimensions

may be changed at any time without prior notice. The data contained herein is information purposes only and does not enlarge, amend or imply any warranty other than provided by the manufacturer with the product. Any use of the product not in conformance with the manufacturer's instructions may be dangerous.

Only items in this catalogue are carried in stock. Some items are subjected to minimum quantities or sold only in multiples of standard quantities. Please refer to the price list or contact our commercial department.

Cam and Groove Couplings





- pag. 06 **TYPE A**
- pag. 06 **TYPE B**
- pag. 06 **TYPE C**
- pag. 07 **TYPE D**
- pag. 07 **TYPE E**
- pag. 07 **TYPE F**
- pag. 08 **TYPE DC**
- pag. 08 **TYPE DC**
- pag. 08 **HANDLES**

TYPE A

44.A - Type A Cam Lock

Male Groove x Female Thread Connection

MATERIALS: Aluminum (add an "AL" at the end of the REFERENCE);
Stainless Steel (add an "S" at the end of the REFERENCE);
Polypropylene (add an "PP" at the end of the REFERENCE);
Brass (add an "BR" at the end of the REFERENCE)

THREADS: all NPT threads; also available with other threads on request

OTHER PARTS: jump sizes, 90° elbows and other modified parts on request



Size	Reference Thread NPT	Reference Thread BSP
1/2"	44.A010.050	44.A000.050
3/4"	44.A010.075	44.A000.075
1"	44.A010.100	44.A000.100
1.1/4"	44.A010.125	44.A000.125
1.1/2"	44.A010.150	44.A000.150
2"	44.A010.200	44.A000.200
2.1/2"	44.A010.250	44.A000.250
3"	44.A010.300	44.A000.300
4"	44.A010.400	44.A000.400
5"	44.A010.500	44.A000.500
6"	44.A010.600	44.A000.600

TYPE B

44.B - Type B Cam Lock

Female Cam Handles x Male Thread Connection, all females with additional safety pin holes

MATERIALS: Aluminum (add an "AL" at the end of the REFERENCE);
Stainless Steel (add an "S" at the end of the REFERENCE);
Polypropylene (add an "PP" at the end of the REFERENCE);
Brass (add an "BR" at the end of the REFERENCE)

THREADS: all NPT threads; also available with other threads on request

OTHER PARTS: jump sizes, 90° elbows and other modified parts on request



Size	Reference Thread NPT	Reference Thread BSP
1/2"	44.B010.050	44.B000.050
3/4"	44.B010.075	44.B000.075
1"	44.B010.100	44.B000.100
1.1/4"	44.B010.125	44.B000.125
1.1/2"	44.B010.150	44.B000.150
2"	44.B010.200	44.B000.200
2.1/2"	44.B010.250	44.B000.250
3"	44.B010.300	44.B000.300
4"	44.B010.400	44.B000.400
5"	44.B010.500	44.B000.500
6"	44.B010.600	44.B000.600

TYPE C

44.C - Type C Cam Lock

Female Cam Handles x Hose Nipple Connection, all females with additional safety pin holes

MATERIALS: Aluminum (add an "AL" at the end of the REFERENCE);
Stainless Steel (add an "S" at the end of the REFERENCE);
Polypropylene (add an "PP" at the end of the REFERENCE);
Brass (add an "BR" at the end of the REFERENCE)

OTHER PARTS: jump sizes, 90° elbows and other modified parts on request



Size	Reference
1/2"	44.C010.050
3/4"	44.C010.075
1"	44.C010.100
1-1/4"	44.C010.125
1-1/2"	44.C010.150
2"	44.C010.200
2-1/2"	44.C010.250
3"	44.C010.300
4"	44.C010.400
5"	44.C010.500
6"	44.C010.600



TYPE D

44.D - Type D Cam Lock

Female Cam Handles x Female Thread Conn.
All females with additional safety pin holes.

MATERIALS: Aluminum (add an "AL" at the end of the REFERENCE);
Stainless Steel (add an "S" at the end of the REFERENCE);
Polypropylene (add an "PP" at the end of the REFERENCE);
Brass (add an "BR" at the end of the REFERENCE)
THREADS: all NPT threads; also available with other threads
on request
OTHER PARTS: jump sizes, 90° elbows and other modified parts
on request



Size	Reference Thread NPT	Reference Thread BSP
1/2"	44.D010.050	44.D000.050
3/4"	44.D010.075	44.D000.075
1"	44.D010.100	44.D000.100
1.1/4"	44.D010.125	44.D000.125
1.1/2"	44.D010.150	44.D000.150
2"	44.D010.200	44.D000.200
2.1/2"	44.D010.250	44.D000.250
3"	44.D010.300	44.D000.300
4"	44.D010.400	44.D000.400
5"	44.D010.500	44.D000.500
6"	44.D010.600	44.D000.600

TYPE E

44.E - Type E Cam Lock

Male Groove x Hose Nipple Connection

MATERIALS: Aluminum (add an "AL" at the end of the REFERENCE);
Stainless Steel (add an "S" at the end of the REFERENCE);
Polypropylene (add an "PP" at the end of the REFERENCE);
Brass (add an "BR" at the end of the REFERENCE)
OTHER PARTS: jump sizes, 90° elbows and other modified parts
on request



Size	Reference
1/2"	44.E010.050
3/4"	44.E010.075
1"	44.E010.100
1-1/4"	44.E010.125
1-1/2"	44.E010.150
2"	44.E010.200
2-1/2"	44.E010.250
3"	44.E010.300
4"	44.E010.400
5"	44.E010.500
6"	44.E010.600

TYPE F

44.F - Type F Cam Lock

Male Groove x Male Thread Connection

MATERIALS: Aluminum (add an "AL" at the end of the REFERENCE);
Stainless Steel (add an "S" at the end of the REFERENCE);
Polypropylene (add an "PP" at the end of the REFERENCE);
Brass (add an "BR" at the end of the REFERENCE)
THREADS: all NPT threads; also available with other threads
on request
OTHER PARTS: jump sizes, 90° elbows and other modified parts
on request



Size	Reference Thread NPT	Reference Thread BSP
1/2"	44.F010.050	44.F000.050
3/4"	44.F010.075	44.F000.075
1"	44.F010.100	44.F000.100
1.1/4"	44.F010.125	44.F000.125
1.1/2"	44.F010.150	44.F000.150
2"	44.F010.200	44.F000.200
2.1/2"	44.F010.250	44.F000.250
3"	44.F010.300	44.F000.300
4"	44.F010.400	44.F000.400
5"	44.F010.500	44.F000.500
6"	44.F010.600	44.F000.600

TYPE DC

44.DC - Type DC Cam Lock

Female Cam Handles Dust Cap, all females with additional safety pin holes

MATERIALS: Aluminum (add an "AL" at the end of the REFERENCE);
Stainless Steel (add an "S" at the end of the REFERENCE);
Polypropylene (add an "PP" at the end of the REFERENCE);
Brass (add an "BR" at the end of the REFERENCE)



Size	Reference
1/2"	44.DC10.050
3/4"	44.DC10.075
1"	44.DC10.100
1-1/4"	44.DC10.125
1-1/2"	44.DC10.150
2"	44.DC10.200
2-1/2"	44.DC10.250
3"	44.DC10.300
4"	44.DC10.400
5"	44.DC10.500
6"	44.DC10.600

TYPE DP

44.DP - Type DP Cam Lock

Male Groove Dust Plug

MATERIALS: Aluminum (add an "AL" at the end of the REFERENCE);
Stainless Steel (add an "S" at the end of the REFERENCE);
Polypropylene (add an "PP" at the end of the REFERENCE);
Brass (add an "BR" at the end of the REFERENCE)



Size	Reference
1/2"	44.DP10.050
3/4"	44.DP10.075
1"	44.DP10.100
1-1/4"	44.DP10.125
1-1/2"	44.DP10.150
2"	44.DP10.200
2-1/2"	44.DP10.250
3"	44.DP10.300
4"	44.DP10.400
5"	44.DP10.500
6"	44.DP10.600

HANDLES

44.HP - Cam Lock Handles

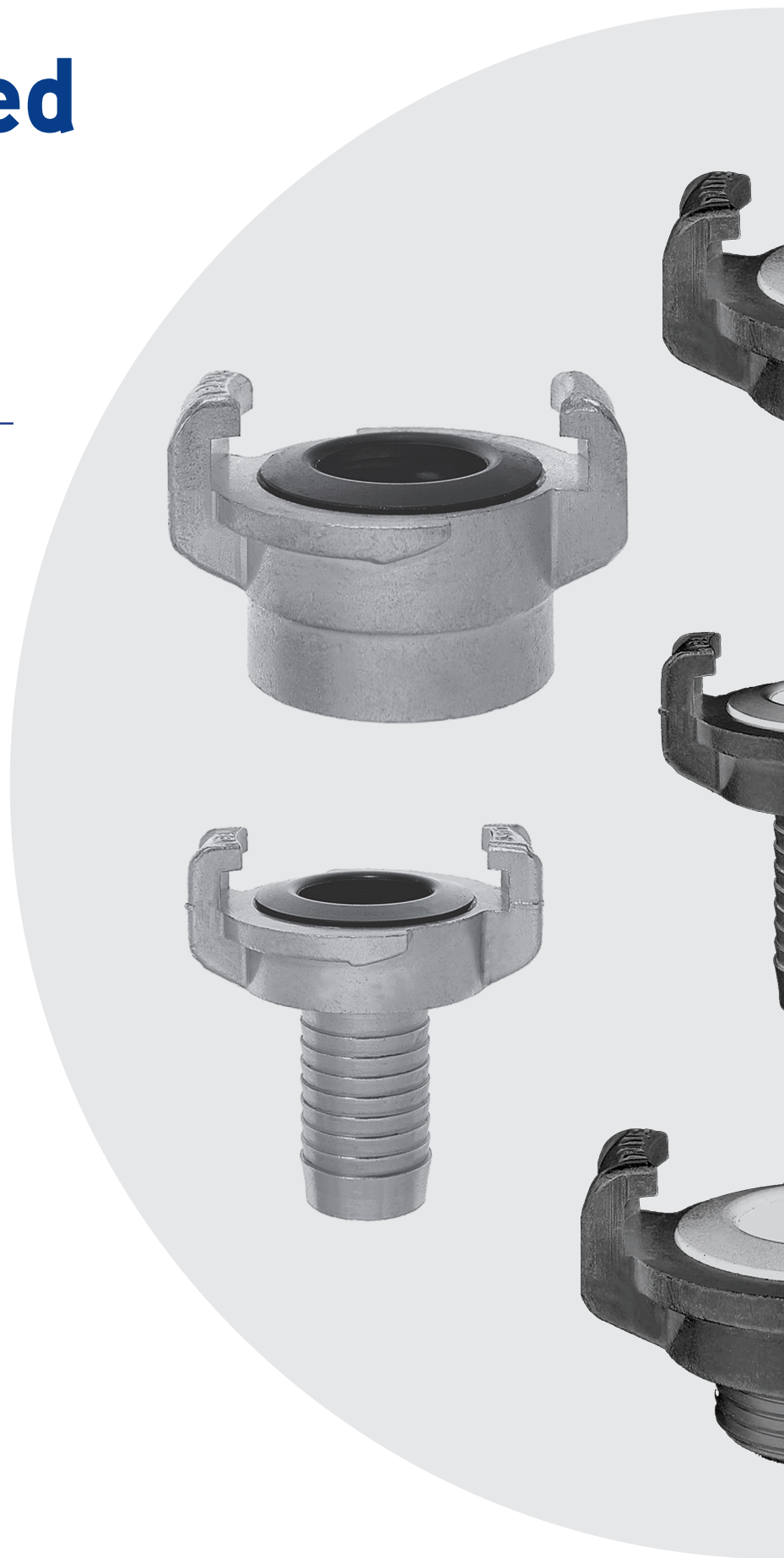
Cam Lock Handles for Female Cam Handles Connectors

MATERIALS: Aluminum (add an "AL" at the end of the REFERENCE);
Stainless Steel (add an "S" at the end of the REFERENCE);
Polypropylene (add an "PP" at the end of the REFERENCE);
Brass (add an "BR" at the end of the REFERENCE)

OTHER PARTS: elbow handles; stainless steel and spring steel rings; NBR, EPDM, Viton and Teflon gaskets; pins; clips

Size	Reference
1/2"	44.HP10.075
3/4"	
1"	44.HP10.100
1-1/4"	44.HP10.200
1-1/2"	
2"	
2-1/2"	44.HP10.300
3"	
4"	
5"	44.HP10.600
6"	

Compressed Air lines couplings





AMERICAN TYPE

pag. 12 **HOSE END**

pag. 12 **FEMALE**

pag. 12 **MALE**

GERMAN TYPE

pag. 13 **HOSE END**

pag. 13 **FEMALE**

pag. 13 **MALE**

AMERICAN TYPE - CROWFOOT

HOSE END

44.HE10 - Air Lock Hose End

Air Lock x Hose Nipple Connection, two-lug from 1/4" up to 1" / four-lug from 1.1/4" up to 2"

MATERIALS: add the material code letters at the end of the part number; for cast iron add "CI" (ex: 44.HE10.050 CI)
CONSTRUCTION: universal two-lug construction up to 1" (see male threaded part shown below); universal four-lug construction for 1-1/4" up to 2" as pictured above
WARNING: not intended for steam service



Size	Reference
1/4"	44.HE10.014
3/8"	44.HE10.038
1/2"	44.HE10.050
5/8"	44.HE10.063
3/4"	44.HE10.075
1"	44.HE10.100
1-1/4"	44.HE10.125
1-1/2"	44.HE10.150
2"	44.HE10.200

FEMALE

44.FE10 - Air Lock Female

Air Lock x Female NPT Thread Connection, two-lug from 1/4" up to 1" / four-lug from 1.1/4" up to 2"

MATERIALS: add the material code letters at the end of the part number; for cast iron add "CI" (ex: 44.FE10.050 CI)
CONSTRUCTION: universal two-lug construction up to 1" (see male threaded part shown below); universal four-lug construction for 1-1/4" up to 2" as pictured above
THREADS: all NPT threads; also available with other threads on request
WARNING: not intended for steam service



Size	Reference
1/4"	44.FE10.014
3/8"	44.FE10.038
1/2"	44.FE10.050
5/8"	44.FE10.063
3/4"	44.FE10.075
1"	44.FE10.100
1-1/4"	44.FE10.125
1-1/2"	44.FE10.150
2"	44.FE10.200

MALE

44.ME10 - Air Lock Male

Air Lock x Male NPT Thread Connection, two-lug from 1/4" up to 1" / four-lug from 1.1/4" up to 2"

MATERIALS: add the material code letters at the end of the part number; for cast iron add "CI" (ex: 44.ME10.050 CI)
CONSTRUCTION: universal two-lug construction up to 1" (pictured above); universal four-lug construction for 1-1/4" up to 2" as in the female threaded part 44.FA10 above
THREADS: all NPT threads; also available with other threads on request
WARNING: not intended for steam service



Size	Reference
1/4"	44.ME10.014
3/8"	44.ME10.038
1/2"	44.ME10.050
5/8"	44.ME10.063
3/4"	44.ME10.075
1"	44.ME10.100
1-1/4"	44.ME10.125
1-1/2"	44.ME10.150
2"	44.ME10.200



GERMAN TYPE

HOSE END

44.HE12 - Air Lock Hose End

Air Lock x Hose Nipple Connection, two-lug from 1/4" up to 1" / four-lug from 1.1/4" up to 2"

MATERIALS: add the material code letters at the end of the part number: for cast iron add "CI" (ex: 44.HE12.050 CI)
CONSTRUCTION: universal two-lug construction up to 1" (see male threaded part shown below); universal four-lug construction for 1-1/4" up to 2" as pictured above
WARNING: not intended for steam service



Size	Reference
1/4"	44.HE12.014
3/8"	44.HE12.038
1/2"	44.HE12.050
5/8"	44.HE12.063
3/4"	44.HE12.075
1"	44.HE12.100
1-1/4"	44.HE12.125
1-1/2"	44.HE12.150
2"	44.HE12.200

FEMALE

44.FE12 - Air Lock Female

Air Lock x Female BSPT Thread Connection, two-lug from 1/4" up to 1" / four-lug from 1.1/4" up to 2"

MATERIALS: add the material code letters at the end of the part number: for cast iron add "CI" (ex: 44.FE12.050 CI)
CONSTRUCTION: universal two-lug construction up to 1" (see male threaded part shown below); universal four-lug construction for 1-1/4" up to 2" as pictured above
THREADS: all NPT threads; also available with other threads on request
WARNING: not intended for steam service



Size	Reference
1/4"	44.FE12.014
3/8"	44.FE12.038
1/2"	44.FE12.050
5/8"	44.FE12.063
3/4"	44.FE12.075
1"	44.FE12.100
1-1/4"	44.FE12.125
1-1/2"	44.FE12.150
2"	44.FE12.200

MALE

44.ME12 - Air Lock Male

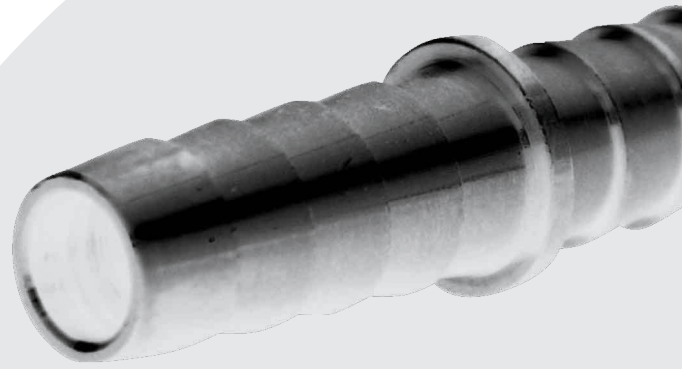
Air Lock x Male BSPT Thread Connection, two-lug from 1/4" up to 1" / four-lug from 1.1/4" up to 2"

MATERIALS: add the material code letters at the end of the part number: for cast iron add "CI" (ex: 44.ME12.050 CI)
CONSTRUCTION: universal two-lug construction up to 1" (pictured above); universal four-lug construction for 1-1/4" up to 2" as in the female threaded part 44.FA12 above
THREADS: all NPT threads; also available with other threads on request
WARNING: not intended for steam service



Size	Reference
1/4"	44.ME12.014
3/8"	44.ME12.038
1/2"	44.ME12.050
5/8"	44.ME12.063
3/4"	44.ME12.075
1"	44.ME12.100
1-1/4"	44.ME12.125
1-1/2"	44.ME12.150
2"	44.ME12.200

Shank type fittings





pag. 16 **TYPE KC**

pag. 16 **TYPE KM**

TYPE KC

44.KC10 - KC Male Nipple

Male NPT Thread x Hose Nipple Connection

MATERIALS: in carbon steel, zinc plated; also available in other materials (add the material code letters at the end of the part number: for stainless steel AISI 304 add "S" (ex: 44.KC10.050 S); for polypropylene add "PP"; for polyamide (nylon) add "PA"; for cast iron add "CI"; for brass add "BR")

THREADS: all NPT threads; also available with other threads on request

OTHER PARTS: unplated carbon steel (oil protected) on request; modified parts on request



Size	Reference
1/2"	44.KC10.050
3/4"	44.KC10.075
1"	44.KC10.100
1-1/4"	44.KC10.125
1-1/2"	44.KC10.150
2"	44.KC10.200
2-1/2"	44.KC10.250
3"	44.KC10.300
4"	44.KC10.400
5"	44.KC10.500
6"	44.KC10.600

TYPE KM

44.KM10 - KM Hose Mender

Hose Nipple x Hose Nipple Connection

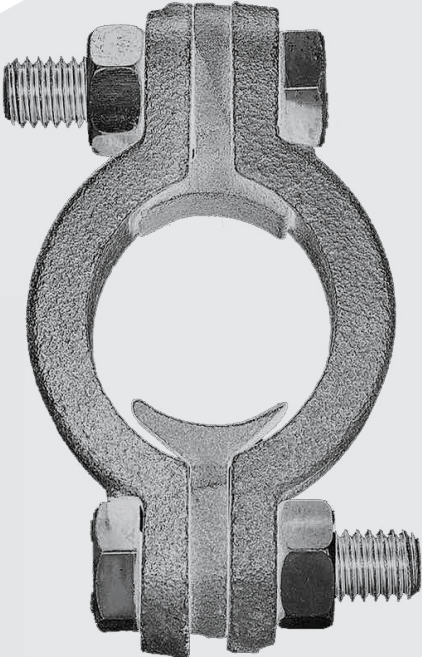
MATERIALS: in carbon steel, zinc plated; also available in other materials (add the material code letters at the end of the part number: for stainless steel AISI 304 add "S" (ex: 44.KM10.050 S); for polypropylene add "PP"; for polyamide (nylon) add "PA"; for cast iron add "CI"; for brass add "BR")

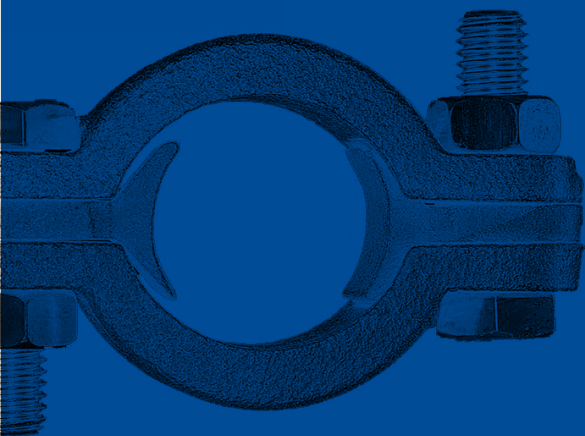
OTHER PARTS: unplated carbon steel (oil protected) on request



Size	Reference
1/2"	44.KM10.050
3/4"	44.KM10.075
1"	44.KM10.100
1-1/4"	44.KM10.125
1-1/2"	44.KM10.150
2"	44.KM10.200
2-1/2"	44.KM10.250
3"	44.KM10.300
4"	44.KM10.400
5"	44.KM10.500
6"	44.KM10.600

Clamps





pag. 20 **DOUBLE BOLT**

pag. 20 **WORM DRIVE**

DOUBLE BOLT

85.DB01 - Double Bolt Clamp

Male NPT Thread x Hose Nipple Connection



ø Range (mm)		Reference
From	To	
17	22	85.DB01.022
22	29	85.DB01.029
29	34	85.DB01.034
33	40	85.DB01.040
41	49	85.DB01.049
48	60	85.DB01.060
60	87	85.DB01.076
89	94	85.DB01.094
95	115	85.DB01.115

WORM DRIVE

85.0008 / 0013 - Worm Drive Clamp

STEEL: 8mm large from model 85.0008.13 to model 85.0008.19; 13mm large from model 85.0013.025 to model 85.0013.300



ø Range (mm)		Reference
From	To	
9	13	85.0008.013
10	16	85.0008.016
13	19	85.0008.019
16	25	85.0013.025
19	29	85.0013.029
22	32	85.0013.032
25	38	85.0013.038
32	44	85.0013.044
35	51	85.0013.051
38	57	85.0013.057
44	64	85.0013.064
51	70	85.0013.070
64	76	85.0013.076
70	89	85.0013.089
76	92	85.0013.092
78	101	85.0013.101
91	114	85.0013.114
105	127	85.0013.127
118	140	85.0013.140
130	152	85.0012.152
150	175	85.0013.175
180	200	85.0013.200
200	225	85.0013.225
251	300	85.0013.300

PRODUCTS LIMITED WARRANTY

The products sold by Balflex® are warranted to our customers to be free from defects in material and workmanship when shipment at Balflex® warehouses takes place.

All warranty claims shall be made present in writing to Balflex®. Balflex® liability hereunder is limited to the purchase price of the merchandise proving to be defective or, at balflex sole discretion, to the replacement of such merchandise upon its authorized return to Balflex®.

This warranty is in lieu of and excludes all other warranties, or conditions expressed, implied, statutory or otherwise created under applicable law including, but not limited to the warranty of merchantability and the warranty of fitness for a particular purpose.

In addition, this warranty shall not apply and will be null and void to any products or portions thereof that have been subject to abuse, misuse, improper installation, maintenance or operation, electrical failure or abnormal conditions and to products that have been tampered with, altered, modified, repaired, reworked by anyone not approved by balflex or used in any other manner inconsistent with any Balflex® instructions or specifications. Balflex® disclaims any liability for any hose assemblies which have not been produced with in conformance with Balflex® assembly recommendations and parts.

In no event shall balflex have any liability whatsoever to any person, including without limitation, any immediate buyer, purchaser or other third party, for any special, punitive, incidental or consequential damages, including without limitation, profit loss or customer loss, loss or damage to physical property of customer or any other person and loss of anticipated revenue, profits, goodwill, savings or other economic loss of customer or any other person.

Specification subject to change without prior notice.
Errors and omission excluded.



U.S.A. and Canada

6000 South Loop East Freeway
Houston, Tx 77033
United States of America
Tel: (1) 713-928-6064
Email: sales@balflex.com
www.balflexusa.com

Europe Headquarters

R. Bouça dos Estilhadouros, 226/254
4445-044 Alfena, Portugal
Tel: (351) 229 698 160
Email: balflex@balflex.com
www.balflex.com

Germany

Franckensteinstraße 8
77749 Hohberg
Tel: (49) 07808 4318857
Email: info@2bhydraulik.de
www.balflex.com

South America

R. Padre Cesari Lelli, 1014
Rodovia BR-116
CEP 83420-000 Quatro Barras/PR
Brasil
Tel: (55) 41 3671 3450
Email: comercial@balflex.com.br
www.balflex.com

An ISO 9001:2015 Company:



Co-financed by:



UNIÃO EUROPEIA
Fundo Europeu
de Desenvolvimento Regional