

Balflex[®]



**BALFLEX
60° BSP
ADAPTERS
CATALOG**

European Technology

*Established since 1963, **Balflex**[®] is a European international group of companies dedicated to the design, production, assembly and distribution of all types of high-tech products for conduction of fluids, measuring of pressure and power transmission at very high quality level.*

*6 decades of know-how and expertise in this field, makes **Balflex**[®] the first choice for the mining, agriculture, off-shore and construction industries.*

*Today the **Balflex**[®] Group covers worldwide users through our own company's production facilities, branches and net of certified distributors.*

Balflex[®] valorizes the inside meaning of the words we use: **Excellence** the quality of being outstanding; **Innovation** the action or process of innovating; **Partnership** cooperation relationship between two or more people, having in mind a common goal; **Tradition** way of thinking or acting, inherited from previous generations.





Quality

Quality is very important for us. We have fully equipped, modern laboratories and equipment, employing the industries most experienced personnel.

Balflex® has earned various certifications for our Management Systems and Products. This reliable and consistent approach has allowed us to achieve our ISO 9001:2015 certification. At Balflex® quality and service always comes first. We are dedicated to continue the development of new products with a strong emphasis on quality.

Member of:



Certified by:





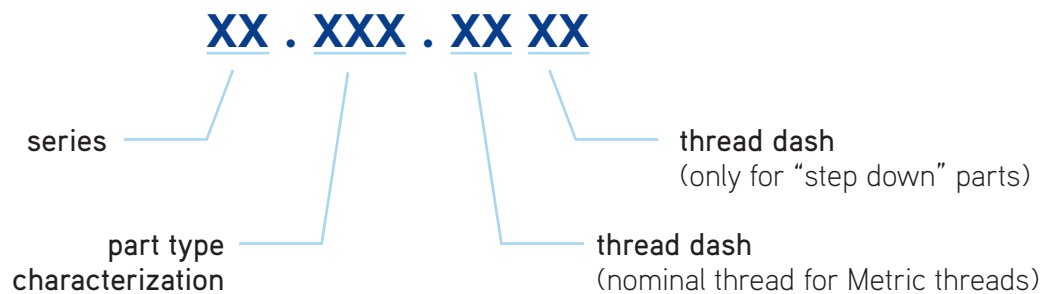
Balfit® Hydraulic Adapters (Series 52 and 53)

The range of Balfit® hydraulic adapters is produced according to Balflex® specifications and to the ISO 8434-6 standard. It covers a very wide variety of applications typical of hydraulic pipe pressure lines.

Balflex® optimized the production of these fittings and their compatibility with a wide range of other types of hydraulic fittings, in order to assure the highest performance and the most extensive range of applications. The Balfit® hydraulic fittings program in this catalogue includes connectors with several threads:

- BSP parallel thread
- BSP taper thread
- NPT thread
- BSPT taper thread

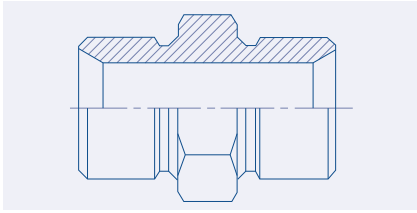
The Balfit® hydraulic adapters part code is composed of three groups of digits:



Adapters

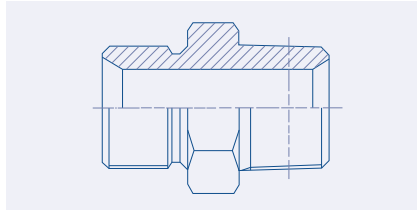






BSP Male Union
52.100.

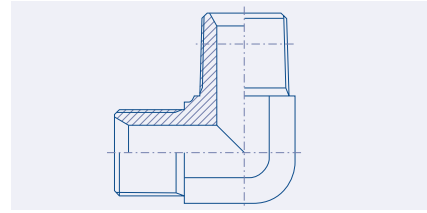
pag. 11



Male BSP x Male NPT Connector

52.101.

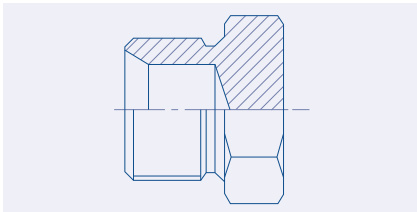
pag. 12



90° Male BSP x Male NPT Connector

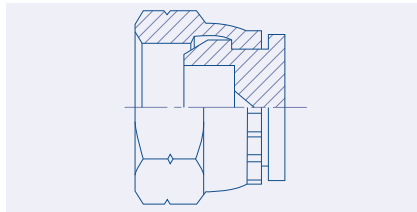
53.102.

pag. 12



BSP Male Plug
52.400.

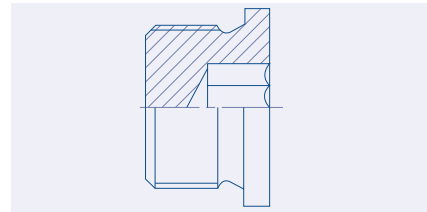
pag. 13



BSP Swivel Female Plug

52.401.

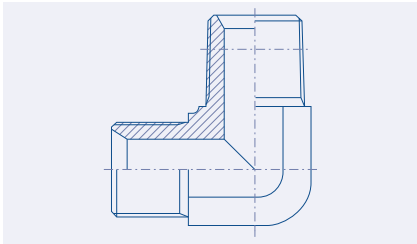
pag. 14



BSP Inner Hexagon Male Plug

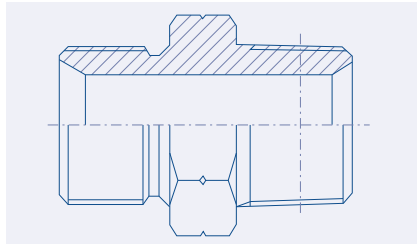
52.402.

pag. 15



Male BSPT Union
52.103.

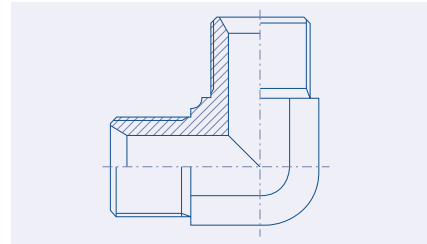
pag. 15



Male BSP x Male BSPT Connector

52.1200.

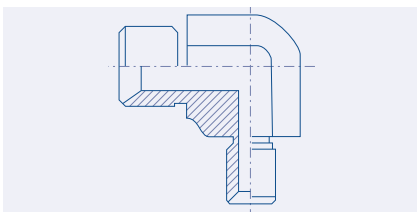
pag. 16



Male 90° BSP Union

53.100.

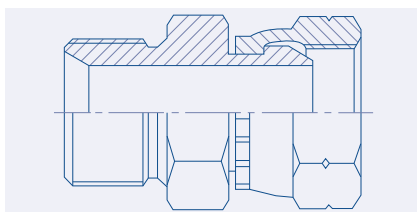
pag. 17



Male 90° BSP Union Reduction

53.101.

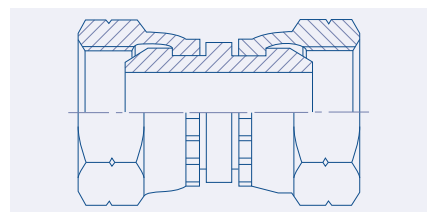
pag. 18



Male x Swivel Female BSP Adapter

52.500.

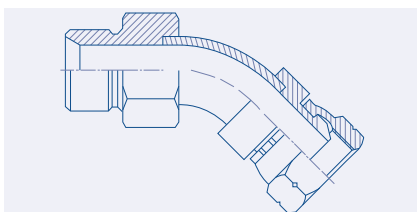
pag. 19



Swivel Female x Female BSP Adapter

52.502.

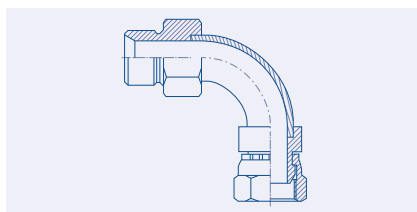
pag. 20



45° Elbow Male x Swivel Female BSP

52.545.

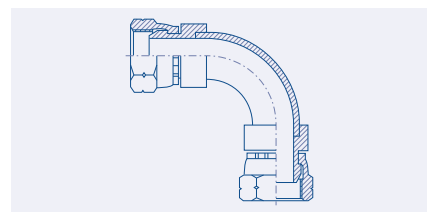
pag. 21



90° Elbow Male x Swivel Female BSP

52.590.

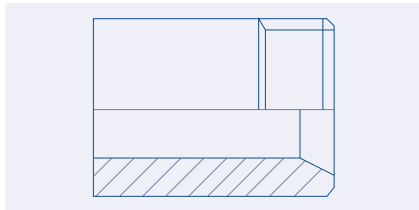
pag. 22



90° Elbow Swivel Female BSP

52.592.

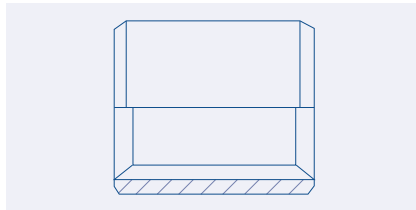
pag. 22



BSP Male Welding Bosses

52.806.

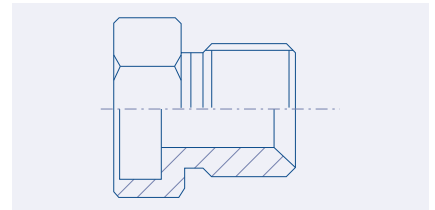
pag. 23



BSP Female Welding Bosses

52.807.

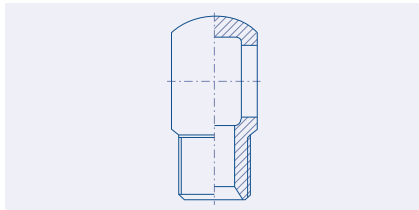
pag. 23



BSP Hexagon Male Welding Bosses

52.808.

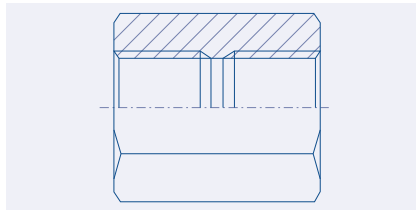
pag. 24



BSP Threaded Banjo Eye

52.800.

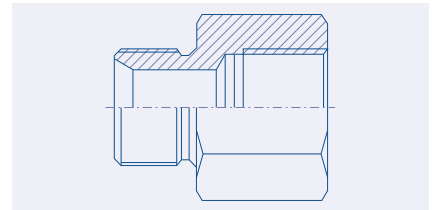
pag. 24



BSPP Female Union

52.3000.

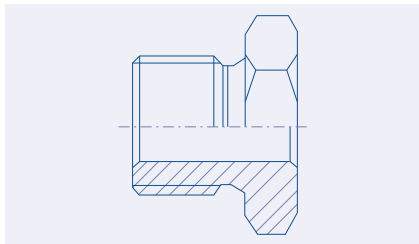
pag. 25



BSPP Male x BSP Fixed Female Adapter

52.5000.

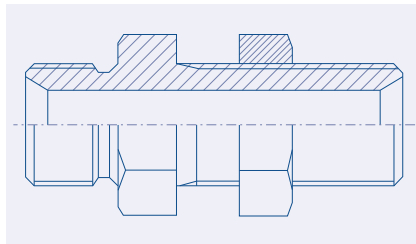
pag. 26



BSPP Male x BSP Fixed Female Adapter

52.5001.

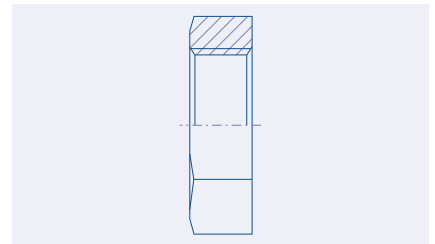
pag. 27



BSP Bulkhead Connector

52.5003.

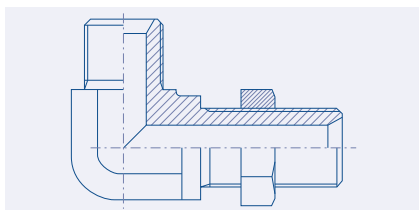
pag. 28



BSP Locknut

52.5004.

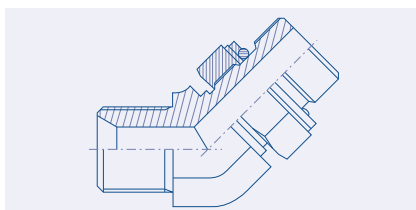
pag. 28



90° Elbow BSP Bulkhead Connector

52.5005.

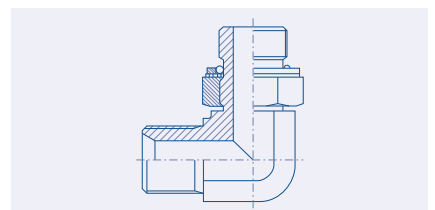
pag. 29



45° Elbow Adjustable BSPP Male

52.7008.

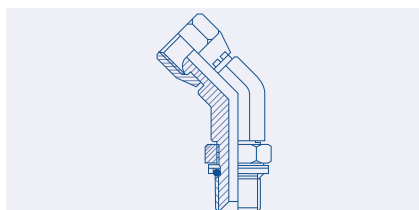
pag. 29



90° Elbow Adjustable BSPP Male

52.7009.

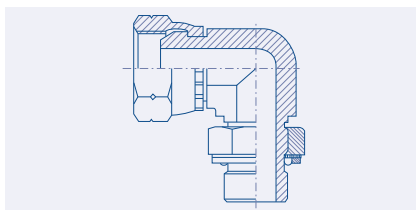
pag. 30



45° Elbow Adjustable BSPP Male x Female

52.7011.

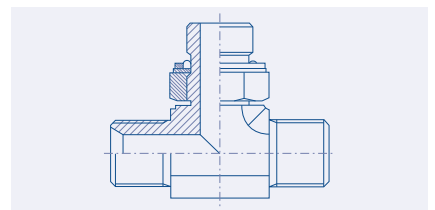
pag. 30



90° Elbow Adjustable BSPP Male x Female

52.7010.

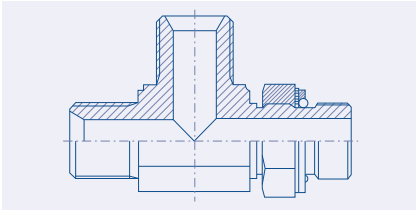
pag. 31



BSPP Male Adjustable Branch Tee

52.7012.

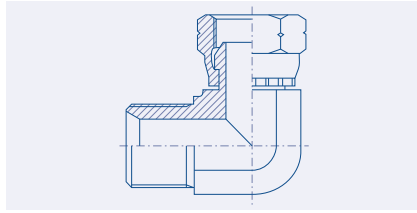
pag. 31



BSPP Male Adjustable Run Tee

52.7013.

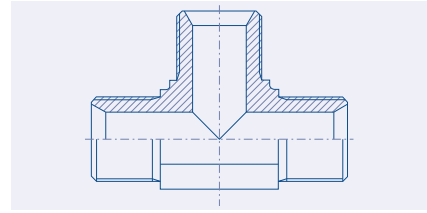
pag. 32



90° Elbow BSPP Male x Female

53.110.

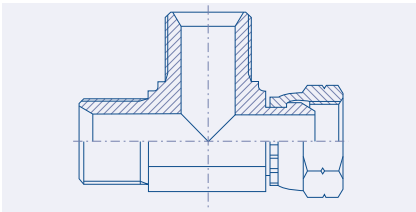
pag. 32



Union BSPP Male Tee

53.300.

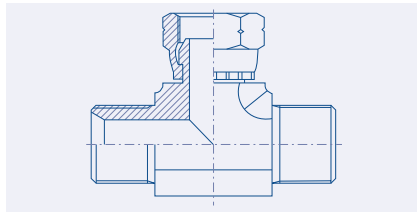
pag. 33



Swivel BSP Run Tee

53.4011.

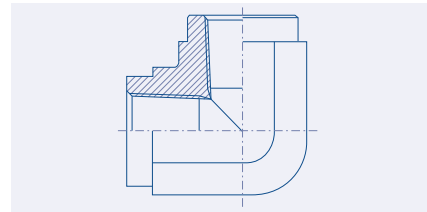
pag. 33



Swivel BSP Branch Tee

53.4012.

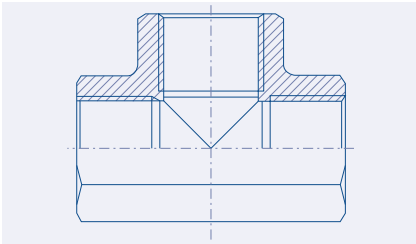
pag. 34



90° BSPP Elbow Fixed Female Union

53.120.

pag. 34



Fixed Female BSPP Tee

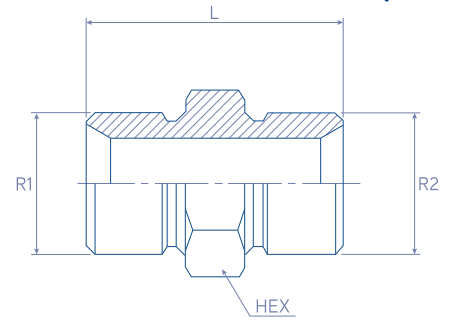
53.302.

pag. 35



Balfit® BSP Male Union

52.100.
ISO 8434-6



REFERENCE	thread		dimensions	
	R1	R2	L	HEX
52.100.02	1/8" - 28	1/8" - 28	24	14
52.100.0402	1/4" - 19	1/8" - 28	30	19
52.100.04	1/4" - 19	1/4" - 19	34	19
52.100.0602	3/8" - 19	1/8" - 28	30	22
52.100.0604	3/8" - 19	1/4" - 19	35	22
52.100.06	3/8" - 19	3/8" - 19	35	22
52.100.0804	1/2" - 14	1/4" - 19	38	27
52.100.0806	1/2" - 14	3/8" - 19	39	27
52.100.08	1/2" - 14	1/2" - 14	41	27
52.100.1008	5/8" - 14	1/2" - 14	43	30
52.100.10	5/8" - 14	5/8" - 14	45	30
52.100.1204	3/4" - 14	1/4" - 19	42	32
52.100.1206	3/4" - 14	3/8" - 19	43	32
52.100.1208	3/4" - 14	1/2" - 14	45	32
52.100.1210	3/4" - 14	5/8" - 14	47	32
52.100.12	3/4" - 14	3/4" - 14	47	32
52.100.1608	1" - 11	1/2" - 14	50	41
52.100.1612	1" - 11	3/4" - 14	52	41
52.100.16	1" - 11	1" - 11	56	41
52.100.2008	1-1/4" - 11	1/2" - 14	52	50
52.100.2012	1-1/4" - 11	3/4" - 14	54	50
52.100.2016	1-1/4" - 11	1" - 11	58	50
52.100.20	1-1/4" - 11	1-1/4" - 11	58	50
52.100.2412	1-1/2" - 11	3/4" - 14	59	55
52.100.2416	1-1/2" - 11	1" - 11	63	55
52.100.2420	1-1/2" - 11	1-1/4" - 11	63	55
52.100.24	1-1/2" - 11	1-1/2" - 11	66	55
52.100.3216	2" - 11	1" - 11	69	70
52.100.3220	2" - 11	1-1/4" - 11	69	70
52.100.3224	2" - 11	1-1/2" - 11	72	70
52.100.32	2" - 11	2" - 11	74	70

MATERIAL: Carbon Steel

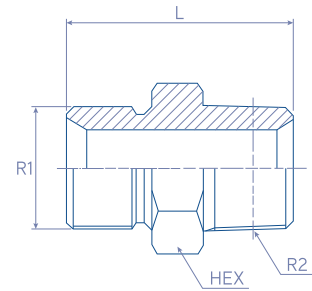
FINISH: Chromium - (VI) Free Plating

VERSIONS: BALFIT® STAINLESS STEEL
MALE UNION (add an 'S' at the end of the part number; ex: 52.100.24 S)

Balfit® Male BSP x Male NPT Connector

52.101.

ISO 8434-6 and ANSI B1.20.3



REFERENCE	thread		dimensions	
	R1	R2	L	HEX
52.101.02	1/8" - 28	1/6" - 27	24.7	14
52.101.04	1/4" - 19	1/4" - 18	32	18
52.101.06	3/8" - 19	3/8" - 18	35.2	22
52.101.08	1/2" - 14	1/2" - 14	41.8	27
52.101.12	3/4" - 14	3/4" - 14	46	32
52.101.16	1" - 11	1" - 11.1/2"	55	40
52.101.20	1-1/4" - 11	1-1/4" - 11.1/2"	56.6	50
52.101.24	1-1/2" - 11	1-1/2" - 11.1/2"	59.4	55
52.101.32	2" - 11	2" - 11.1/2"	66.8	70

MATERIAL: Carbon Steel

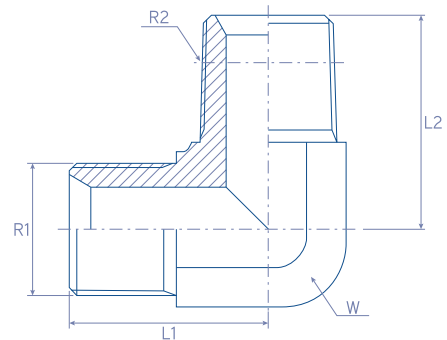
FINISH: Chromium - (VI) Free Plating

VERSIONS: BALFIT® STAINLESS STEEL
 MALE BSP x MALE NPT / 90° MALE BSP x
 MALE NPT (add an 'S' at the end of the part
 number; ex: 52.101.24 S - 53.102.1212 S)

Balfit® 90° Male BSP x Male NPT Connector

53.102.

ISO 8434-6 and ANSI B1.20.3



REFERENCE	thread		dimensions		
	R1	R2	L1	L2	W
53.102.0202	1/8" - 28	1/8" - 27	19.3	19.5	11
53.102.0404	1/4" - 19	1/4" - 18	25	27	14
53.102.0606	3/8" - 19	3/8" - 18	30	30	19
53.102.0808	1/2" - 14	1/2" - 14	34.5	37.3	22
53.102.1212	3/4" - 14	3/4" - 14	39	40.4	27
53.102.1616	1" - 11	1" - 11.1/2"	45	47.3	33
53.102.2020	1-1/4" - 11	1-1/4" - 11.1/2"	50	55	41
53.102.2424	1-1/2" - 11	1-1/2" - 11.1/2"	55	57.4	48
53.102.3232	2" - 11	2" - 11.1/2"	62	62	58

MATERIAL: Carbon Steel

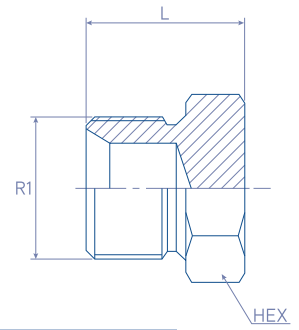
FINISH: Chromium - (VI) Free Plating

VERSIONS: BALFIT® STAINLESS STEEL
 MALE BSP x MALE NPT / 90° MALE BSP x
 MALE NPT (add an 'S' at the end of the part
 number; ex: 53.102.1212 S)



Balfit® BSP Male Plug

52.400.
ISO 8434-6



REFERENCE	thread	dimensions	
	R	L	HEX
52.400.02	1/8" - 28	15	14
52.400.04	1/4" - 19	17	19
52.400.06	3/8" - 19	20	22
52.400.08	1/2" - 14	23	27
52.400.10	5/8" - 14	25	28
52.400.12	3/4" - 14	26	32
52.400.16	1" - 11	30	41
52.400.20	1-1/4" - 11	31	50
52.400.24	1-1/2" - 11	34	55
52.400.32	2" - 11	38	70

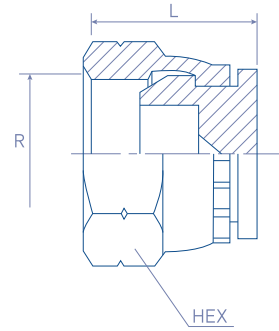
MATERIAL: Carbon Steel, zinc plated

FINISH: Chromium - (VI) Free Plating

VERSIONS: BALFIT® STAINLESS STEEL BSP MALE PLUG (add an 'S' at the end of the part number; ex: 52.400.16 S)

Balfit® BSP Swivel Female Plug

52.401.
ISO 8434-6



REFERENCE	thread	dimensions	
	R	L	HEX
52.401.02	1/8" - 28	16	14
52.401.04	1/4" - 19	18	18
52.401.06	3/8" - 19	19,5	22
52.401.08	1/2" - 14	23,5	27
52.401.10	5/8" - 14	24,5	27
52.401.12	3/4" - 14	26	32
52.401.16	1" - 11	28	38
52.401.20	1-1/4" - 11	30	50
52.401.24	1-1/2" - 11	31	60
52.401.32	2" - 11	34	70

MATERIAL: Carbon Steel

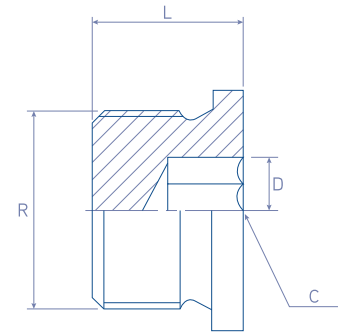
FINISH: Chromium - (VI) Free Plating

VERSIONS: BALFIT® STAINLESS STEEL BSP SWIVEL FEMALE PLUG (add an 'S' at the end of the part number; ex: 52.401.16 S)



Balfit® BSP Inner Hexagon Male Plug

52.402.
ISO 8434-6



REFERENCE	thread		dimensions		
	R	L	C	D	
52.402.02	1/8" - 28	12	14	5.1	
52.402.04	1/4" - 19	17	19	6.1	
52.402.06	3/8" - 19	17	22	8.1	
52.402.08	1/2" - 14	19	27	10.1	
52.402.12	3/4" - 14	21	32	12.1	
52.402.16	1" - 11	22.5	40	17.1	
52.402.20	1-1/4" - 11	22.5	50	22.1	
52.402.24	1-1/2" - 11	22.5	55	24.1	
52.402.32	2" - 11	25	68	32.1	

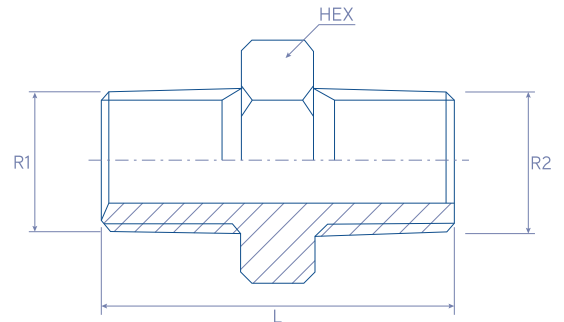
MATERIAL: Carbon Steel

FINISH: Chromium - (VI) Free Plating

VERSIONS: BALFIT® STAINLESS STEEL BSP INNER HEXAGON MALE PLUG (add an 'S' at the end of the part number; ex: 52.402.16 S)

Balfit® Male BSPT Union

52.103.
ISO 8434-6



REFERENCE	thread		dimensions	
	R1	R2	L	HEX
52.103.02	1/8" - 28	1/8" - 28	27	11
52.103.04	1/4" - 19	1/4" - 19	37,1	14
52.103.06	3/8" - 19	3/8" - 19	38,9	17
52.103.08	1/2" - 14	1/2" - 14	48	22
52.103.12	3/4" - 14	3/4" - 14	50,1	27
52.103.16	1" - 11	1" - 11	61,8	36

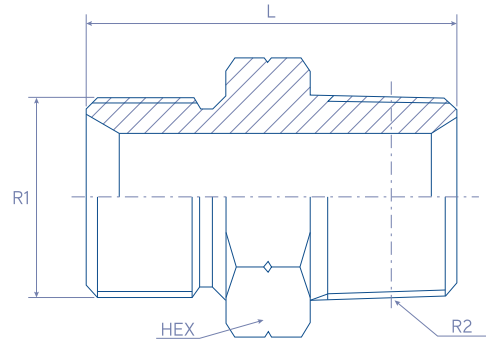
MATERIAL: Carbon Steel

FINISH: Chromium - (VI) Free Plating

VERSIONS: BALFIT® STAINLESS STEEL MALE BSPT UNION (add an 'S' at the end of the part number; ex: 52.103.24 S)

Balfit® Male BSP x Male BSPT Connector

52.1200.
ISO 8434-6



REFERENCE	thread		dimensions	
	R1	R2	L	HEX
52.1200.04	1/4" - 19	1/4" - 19	32	18
52.1200.06	3/8" - 19	3/8" - 19	35,2	22
52.1200.08	1/2" - 14	1/2" - 14	41,8	27
52.1200.12	3/4" - 14	3/4" - 14	46	32
52.1200.16	1" - 11	1" - 11	55	40
52.1200.20	1-1/4" - 11	1-1/4" - 11	56,6	50
52.1200.24	1-1/2" - 11	1-1/2" - 11	59,4	55
52.1200.32	2" - 11	2" - 11	66,8	70

MATERIAL: Carbon Steel

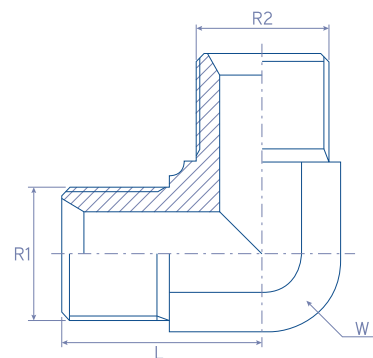
FINISH: Chromium - (VI) Free Plating

VERSIONS: BALFIT® STAINLESS STEEL
MALE BSP X MALE BSPT CONNECTOR (add
an 'S' at the end of the part number; ex:
52.1200.24 S)



Balfit® Male 90° BSP Union

53.100.
ISO 8434-6



REFERENCE	thread		dimensions	
	R1	R2	L	W
53.100.0202	1/8" - 28	1/8" - 28	19,3	11
53.100.0404	1/4" - 19	1/4" - 19	23,2	14
53.100.0606	3/8" - 19	3/8" - 19	28,5	19
53.100.0808	1/2" - 14	1/2" - 14	32,5	22
53.100.1010	5/8" - 14	5/8" - 14	34,5	22
53.100.1212	3/4" - 14	3/4" - 14	37,2	27
53.100.1616	1" - 11	1" - 11	41,1	33
53.100.2020	1-1/4" - 11	1-1/4" - 11	49,5	41
53.100.2424	1-1/2" - 11	1-1/2" - 11	55	48
53.100.3232	2" - 11	2" - 11	60,5	58

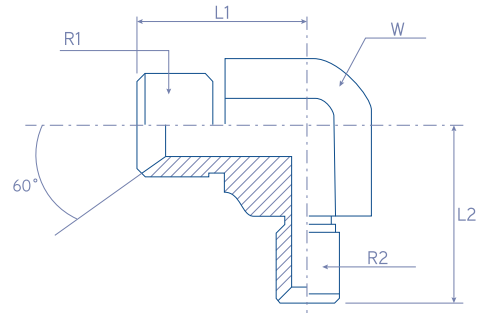
MATERIAL: Carbon Steel

FINISH: Chromium - (VI) Free Plating

VERSIONS: BALFIT® STAINLESS STEEL
MALE 90° BSP UNION (add an 'S' at the end
of the part number; ex: 53.100.2424 S)

Balfit® Male 90° BSP Union Reduction

53.101.
ISO 8434-6



REFERENCE	thread		dimensions		
	R1	R2	L1	L2	W
53.101.0402	1/4" - 19	1/8" - 28	24	23,2	14
53.101.0602	3/8" - 19	1/4" - 19	27	26,8	19
53.101.0604	3/8" - 19	1/4" - 19	27	26,8	19
53.101.0804	1/2" - 14	1/4" - 19	32	26,8	22
53.101.0806	1/2" - 14	3/8" - 19	32	30,7	22
53.101.1008	5/8" - 14	1/2" - 14	38	35,2	27
53.101.1204	3/4" - 14	1/4" - 19	36	26,8	27
53.101.1206	3/4" - 14	3/8" - 19	36	33	27
53.101.1208	3/4" - 14	1/2" - 14	36	35,2	27
53.101.1210	3/4" - 14	5/8" - 14	36	38	27
53.101.1608	1" - 11	1/2" - 14	42	34	33
53.101.1612	1" - 11	3/4" - 14	42	38	33
53.101.2012	1.1/4" - 11	3/4" - 14	48	38	41
53.101.2016	1.1/4" - 11	1" - 11	48	48	41
53.101.2412	1.1/2" - 11	3/4" - 14	55	38	48
53.101.2416	1.1/2" - 11	1" - 11	55	48	48
53.101.2420	1.1/2" - 11	1.1/4" - 11	55	51,5	48
53.101.3216	2" - 11	1" - 11	60,5	48	58
53.101.3220	2" - 11	1.1/4" - 11	60,5	51,5	58
53.101.3224	2" - 11	1.1/2" - 11	60,5	60,5	58

MATERIAL: Carbon Steel

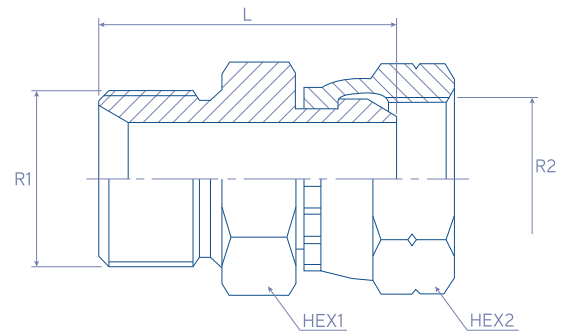
FINISH: Chromium - (VI) Free Plating

VERSIONS: BALFIT® STAINLESS STEEL
MALE 90° BSP UNION REDUCTION
(add an 'S' at the end of the part number;
ex: 53.101.0402 S)



Balfit® Male x Swivel Female BSP Adapter

52.500.
ISO 8434-6



REFERENCE	thread		dimensions		
	R1	R2	L	HEX1	HEX2
52.500.02	1/8" - 28	1/8" - 28	29,5	14	14
52.500.0204	1/8" - 28	1/4" - 19	31,5	18	14
52.500.04	1/4" - 19	1/4" - 19	33	18	18
52.500.0402	1/4" - 19	1/8" - 28	32	14	18
52.500.0406	1/4" - 19	3/8" - 19	36,2	22	18
52.500.06	3/8" - 19	3/8" - 19	37,7	22	22
52.500.0604	3/8" - 19	1/4" - 19	35	22	18
52.500.0608	3/8" - 19	1/2" - 14	40	22	27
52.500.08	1/2" - 14	1/2" - 14	44,1	27	27
52.500.0804	1/2" - 14	1/4" - 19	39,2	22	27
52.500.0806	1/2" - 14	3/8" - 19	41,7	22	27
52.500.0810	1/2" - 14	3/8" - 14	46,5	27	27
52.500.0812	1/2" - 14	3/4" - 14	46,5	32	27
52.500.10	5/8" - 14	5/8" - 14	45	27	27
52.500.12	3/4" - 14	3/4" - 14	49	32	32
52.500.1208	3/4" - 14	1/2" - 14	46,5	27	32
52.500.1216	3/4" - 14	1" - 11	53,5	40	32
52.500.16	1" - 11.5	1" - 11	55	40	40
52.500.1612	1" - 11.5	3/4" - 14	51	32	38
52.500.1620	1" - 11	1.1/4" - 11	56,9	50	38
52.500.20	1.1/4" - 11.5	1.1/4" - 11	59,9	50	50
52.500.2012	1.1/4" - 11	3/4" - 14	55	40	50
52.500.2016	1.1/4" - 11	1" - 11	58	40	50
52.500.2024	1.1/4" - 11	1.1/2" - 11	62	55	50
52.500.24	1.1/2" - 11.5	1.1/2" - 11	64	55	55
52.500.2420	1.1/2" - 11	1.1/4" - 11	64	50	55
52.500.32	2" - 11.5	2" - 11	71,5	70	70
52.500.3220	2" - 11	1.1/4" - 11	63,5	60	70

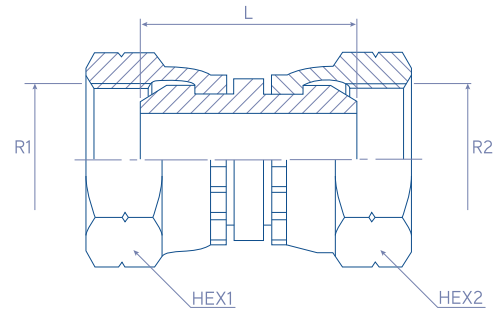
MATERIAL: Carbon Steel

FINISH: Chromium - (VI) Free Plating

VERSIONS: BALFIT® STAINLESS STEEL
MALE X SWIVEL FEMALE BSP ADAPTER
(add an 'S' at the end of the part number; ex:
52.500.12 S)

Balfit® Swivel Female x Female BSP Adapter

52.502.
ISO 8434-6



REFERENCE	thread		dimensions		
	R1	R2	L	HEX1	HEX2
52.502.02	1/8" - 28	1/8" - 28	34	14	14
52.502.04	1/4" - 19	1/4" - 19	39	18	18
52.502.06	3/8" - 19	3/8" - 19	43,2	22	22
52.502.08	1/2" - 14	1/2" - 14	51,6	27	27
52.502.12	3/4" - 14	3/4" - 14	56,5	32	32
52.502.16	1" - 11	1" - 11	61	38	38
52.502.20	1-1/4" - 11	1-1/4" - 11	68	50	50
52.502.24	1-1/2" - 11	1-1/2" - 11	76	55	55
52.502.32	2" - 11	2" - 11	78	70	70

MATERIAL: Carbon Steel

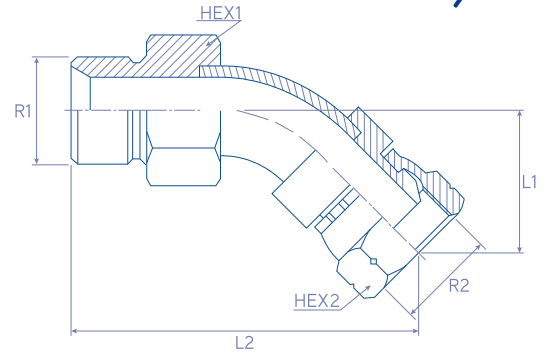
FINISH: Chromium - (VI) Free Plating

VERSIONS: BALFIT® STAINLESS STEEL
SWIVEL FEMALE X FEMALE BSP ADAPTER
(add an 'S' at the end of the part number; ex:
52.502.12 S)



Balfit® 45° Elbow Male x Swivel Female BSP

52.545.
ISO 8434-6



REFERENCE	thread		dimensions			
	R1	R2	L1	L2	HEX1	HEX2
52.545.04	1/4" - 19	1/4" - 19	20	47	18	16
52.545.06	3/8" - 19	3/8" - 19	22	53	22	22
52.545.08	1/2" - 14	1/2" - 14	27	60	27	27
52.545.12	3/4" - 14	3/4" - 14	30	70	32	32
52.545.16	1" - 11	1" - 11	32	90	40	36
52.545.20	1-1/4" - 11	1-1/4" - 11	44	99	50	50
52.545.24	1-1/2" - 11	1-1/2" - 11	51	124	60	55
52.545.32	2" - 11	2" - 11	59	145	70	70

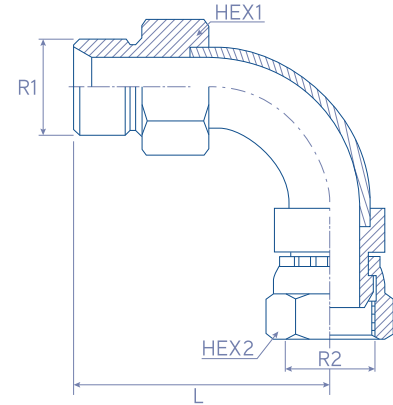
MATERIAL: Carbon Steel

FINISH: Chromium - (VI) Free Plating

VERSIONS: BALFIT® STAINLESS STEEL 45° ELBOW MALE X SWIVEL FEMALE BSP (add an 'S' at the end of the part number; ex: 52.545.12 S)

Balfit® 90° Elbow Male x Swivel Female BSP

52.590.
ISO 8434-6



REFERENCE	thread		dimensions		
	R1	R2	L	HEX1	HEX2
52.590.04	1/4" - 19	1/4" - 19	36	18	18
52.590.06	3/8" - 19	3/8" - 19	36	22	22
52.590.08	1/2" - 14	1/2" - 14	49	27	27
52.590.12	3/4" - 14	3/4" - 14	63	32	32
52.590.16	1" - 11	1" - 11	75	36	36
52.590.20	1-1/4" - 11	1-1/4" - 11	82	50	50
52.590.24	1-1/2" - 11	1-1/2" - 11	96	55	55
52.590.32	2" - 11	2" - 11	122	70	70

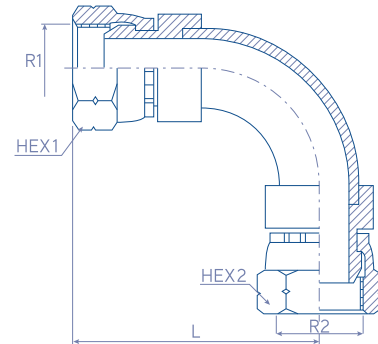
MATERIAL: Carbon Steel

FINISH: Chromium - (VI) Free Plating

VERSIONS: BALFIT® STAINLESS STEEL 90° ELBOW MALE X SWIVEL FEMALE BSP (add an 'S' at the end of the part number; ex: 52.590.12 S)

Balfit® 90° Elbow Swivel Female BSP

52.592.
ISO 8434-6



REFERENCE	thread		dimensions		
	R1	R2	L	HEX1	HEX2
52.592.04	1/4" - 19	1/4" - 19	36	18	18
52.592.06	3/8" - 19	3/8" - 19	42	22	22
52.592.08	1/2" - 14	1/2" - 14	49	27	27
52.592.12	3/4" - 14	3/4" - 14	63	32	32
52.592.16	1" - 11	1" - 11	75	36	36
52.592.20	1-1/4" - 11	1-1/4" - 11	82	50	50
52.592.24	1-1/2" - 11	1-1/2" - 11	96	55	55
52.592.32	2" - 11	2" - 11	122	70	70

MATERIAL: Carbon Steel

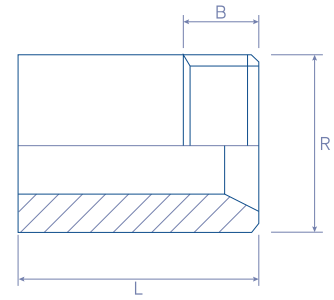
FINISH: Chromium - (VI) Free Plating

VERSIONS: BALFIT® STAINLESS STEEL 90° ELBOW SWIVEL FEMALE BSP (add an 'S' at the end of the part number; ex: 52.592.12 S)



Balfit® BSP Male Welding Bosses

52.806.
ISO 8434-6



REFERENCE	thread	dimensions	
	R	L	B
52.806.02	1/8" - 28	18	8
52.806.04	1/4" - 19	21	10
52.806.06	3/8" - 19	25	12
52.806.08	1/2" - 14	27	14
52.806.12	3/4" - 14	31	16
52.806.16	1" - 11	33	18

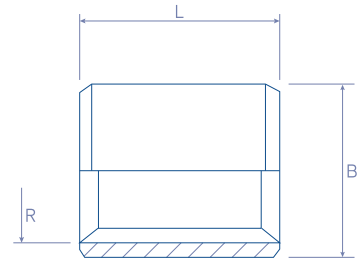
MATERIAL: Carbon Steel

FINISH: Chromium - (VI) Free Plating

VERSIONS: BALFIT® STAINLESS STEEL BSP MALE WELDING BOSSES (add an 'S' at the end of the part number; ex: 52.806.12 S)

Balfit® BSP Female Welding Bosses

52.807.
ISO 8434-6



REFERENCE	thread	dimensions	
	R	L	B
52.807.02	1/8" - 28	18	14
52.807.04	1/4" - 19	22	18
52.807.06	3/8" - 19	25	25
52.807.08	1/2" - 14	32	30
52.807.12	3/4" - 14	35	35
52.807.16	1" - 11	38	42
52.807.20	1-1/4" - 11	40	50
52.807.24	1-1/2" - 11	43	60
52.807.32	2" - 11	47	70

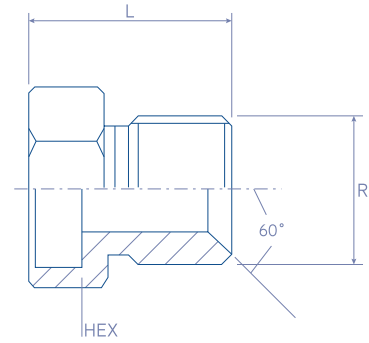
MATERIAL: Carbon Steel

FINISH: Chromium - (VI) Free Plating

VERSIONS: BALFIT® STAINLESS STEEL BSP FEMALE WELDING BOSSES (add an 'S' at the end of the part number; ex: 52.807.12 S)

Balfit® BSP Hexagon Male Welding Bosses

52.808.
ISO 8434-6



REFERENCE	thread	dimensions	
	R	L	HEX
52.808.02	1/8" - 28	17	14
52.808.04	1/4" - 19	18	18
52.808.06	3/8" - 19	20	22
52.808.08	1/2" - 14	22	27
52.808.12	3/4" - 14	26	32
52.808.16	1" - 11	31	40
52.808.20	1-1/4" - 11	37	50
52.808.24	1-1/2" - 11	39	60
52.808.32	2" - 11	43	70

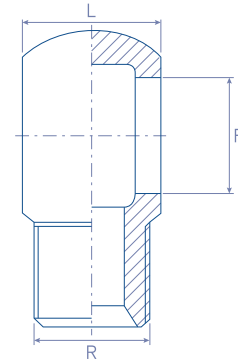
MATERIAL: Carbon Steel

FINISH: Chromium - (VI) Free Plating

VERSIONS: BALFIT® STAINLESS STEEL BSP HEXAGON MALE WELDING BOSSES (add an 'S' at the end of the part number; ex: 52.808.12 S)

Balfit® BSP Threaded Banjo Eye

52.800.
carbon steel BSP threaded banjo eye



REFERENCE	thread	dimensions	
	R	L	F
52.800.02	1/8" - 28	10	10
52.800.04	1/4" - 19	14	13.4
52.800.06	3/8" - 19	17.5	17
52.800.08	1/2" - 14	22	21
52.800.12	3/4" - 14	28	26.5
52.800.16	1" - 11	38	33.5
52.800.20	1.1/4" - 11	45	42.2
52.800.24	1.1/2" - 11	50	48

MATERIAL: Carbon Steel

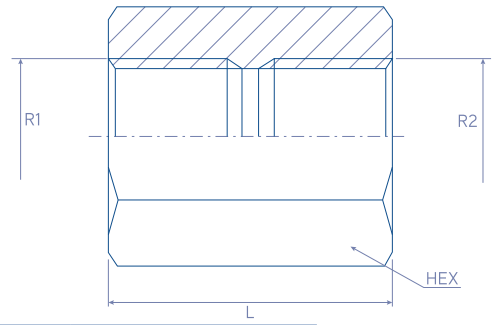
FINISH: Chromium - (VI) Free Plating

VERSIONS: BALFIT® STAINLESS STEEL BSP THREADED BANJO EYE (add an 'S' at the end of the part number; ex: 52.800.12 S)



Balfit® BSPP Female Union

52.3000.
ISO 8434-6



REFERENCE	thread		dimensions	
	R1	R2	L	HEX
52.3000.0202	1/8" - 28	1/8" - 28	22	14
52.3000.0402	1/4" - 19	1/8" - 28	21	18
52.3000.0404	1/4" - 19	1/4" - 19	22	17
52.3000.0602	3/8" - 19	1/8"	25	22
52.3000.0604	3/8" - 19	1/4"	27	22
52.3000.0606	3/8" - 19	3/8" - 19	27	22
52.3000.0802	1/2" - 14	1/8"	30	27
52.3000.0804	1/2" - 14	1/4"	30	27
52.3000.0806	1/2" - 14	3/6"	32	27
52.3000.0808	1/2" - 14	1/2" - 14	31	27
52.3000.1204	3/4" - 14	1/4"	35	32
52.3000.1206	3/4"	3/8"	35	32
52.3000.1208	3/4"	1/2"	36	32
52.3000.1212	3/4" - 14	3/4" - 14	35	32
52.3000.1608	1"	1/2"	38	40
52.3000.1612	1"	3/4"	40	40
52.3000.1616	1" - 11	1" - 11	39	40
52.3000.2012	1.1/4"	3/4"	44	50
52.3000.2016	1.1/4"	1"	45	50
52.3000.2020	1-1/4" - 11	1-1/4" - 11	41	50
52.3000.2416	1.1/2"	1"	45	60
52.3000.2420	1.1/2"	1.1/4"	45	60
52.3000.2424	1-1/2" - 11	1-1/2" - 11	46	60
52.3000.3220	2"	1.1/4"	47	70
52.3000.3224	2"	1.1/2"	48	70
52.3000.3232	2" - 11	2" - 11	52	70

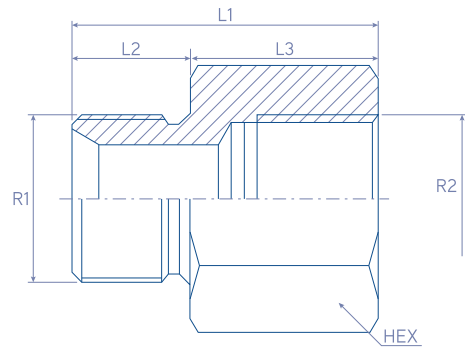
MATERIAL: Carbon Steel

FINISH: Chromium - (VI) Free Plating

VERSIONS: BALFIT® STAINLESS STEEL
BSPP FEMALE UNION (add an 'S' at the end
of the part number; ex: 52.3000.1212 S)

Balfit® BSPP Male x BSP Fixed Female Adapter

52.5000.
ISO 8434-6



REFERENCE	thread		dimensions			
	R1	R2	L1	L2	L3	HEX
52.5000.02	1/8" - 28	1/8" - 28	25	10	15	14
52.5000.0204	1/8" - 28	1/4" - 19	28	10	18	18
52.5000.0206	1/8" - 28	3/8" - 19	32	10	22	22
52.5000.0208	1/8" - 28	1/2" - 14	34	10	24	27
52.5000.04	1/4" - 19	1/4" - 19	30	10	20	18
52.5000.0402	1/4" - 19	1/8" - 28	25	10	15	18
52.5000.0406	1/4" - 19	3/8" - 19	32	10	22	22
52.5000.0408	1/4" - 19	1/2" - 14	34	10	24	27
52.5000.0412	1/4" - 19	3/4" - 14	37	10	27	32
52.5000.0416	1/4" - 19	1" - 11	40	10	30	40
52.5000.06	3/8" - 19	3/8" - 19	34	12	22	22
52.5000.0602	3/8" - 19	1/8" - 28	27	12	15	22
52.5000.0604	3/8" - 19	1/4" - 19	30	12	18	22
52.5000.0608	3/8" - 19	1/2" - 14	36	12	24	27
52.5000.0612	3/8" - 19	3/4" - 14	39	12	27	32
52.5000.0616	3/8" - 19	1" - 11	42	12	30	40
52.5000.08	1/2" - 14	1/2" - 14	38	14	24	27
52.5000.0802	1/2" - 14	1/8" - 28	29	14	15	27
52.5000.0804	1/2" - 14	1/4" - 19	32	14	18	27
52.5000.0806	1/2" - 14	3/8" - 19	36	14	22	27
52.5000.0812	1/2" - 14	3/4" - 14	41	14	27	32
52.5000.0816	1/2" - 14	1" - 11	44	14	30	40
52.5000.12	3/4" - 14	3/4" - 14	43	16	27	32
52.5000.1204	3/4" - 14	1/4" - 19	34	16	18	32
52.5000.1206	3/4" - 14	3/8" - 19	38	16	22	32
52.5000.1208	3/4" - 14	1/2" - 14	40	16	24	32
52.5000.1216	3/4" - 14	1" - 11	46	16	30	40
52.5000.1220	3/4" - 14	1.1/4" - 11	48	16	32	50
52.5000.16	1" - 11	1" - 11	49	19	30	40
52.5000.1606	1" - 11	3/8" - 19	41	19	22	40
52.5000.1608	1" - 11	1/2" - 14	43	19	24	40
52.5000.1612	1" - 11	3/4" - 14	46	19	27	40
52.5000.1620	1" - 11	1.1/4" - 11	51	19	32	50
52.5000.1624	1" - 11	1.1/2" - 11	53	19	34	55



REFERENCE	thread		dimensions			
	R1	R2	L1	L2	C	HEX
52.5000.2016	1.1/4" - 11	1" - 11	52	20	32	50
52.5000.2024	1.1/4" - 11	1.1/2" - 11	54	20	34	55
52.5000.2032	1.1/4" - 11	2" - 11	56	20	36	70
52.5000.24	1.1/2" - 11		56	22	34	55
52.5000.2420	1.1/2" - 11	1.1/4" - 11	56	22	34	55
52.5000.2432	1.1/2" - 11	2" - 11	58	22	36	70
52.5000.32	2" - 11	2" - 11	61	25	36	70
52.5000.3224	2" - 11	1.1/2" - 11	61	25	36	70

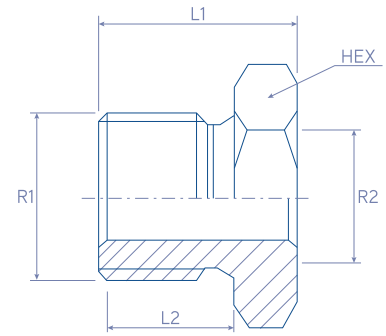
MATERIAL: Carbon Steel

FINISH: Chromium - (VI) Free Plating

VERSIONS: BALFIT® STAINLESS STEEL
BSPP MALE X BSP FIXED FEMALE
ADAPTER (add an 'S' at the end of the part
number; ex: 52.5000.0812 S)

Balfit® BSPP Male x BSP Fixed Female Adapter

52.5001.
ISO 8434-6



REFERENCE	thread		dimensions		
	R1	R2	L1	L2	HEX
52.5001.0402	1/4" -19	1/8"-28	15	10	18
52.5001.0602	3/8" - 19	1/8"-28	17	12	22
52.5001.0604	3/8" - 19	1/4" - 19	17	12	22
52.5001.0804	1/2" - 14	1/4" - 19	20	14	27
52.5001.0806	1/2" - 14	3/8" - 19	20	14	27
52.5001.1204	3/4" - 14	1/4" - 19	23	16	32
52.5001.1206	3/4" - 14	3/8" - 19	23	16	32
52.5001.1208	3/4" - 14	1/2" - 14	23	16	32
52.5001.1604	1" - 11	1/4" - 19	26	18	40
52.5001.1606	1" - 11	3/8" - 19	26	18	40
52.5001.1608	1" - 11	1/2" - 14	26	18	40
52.5001.1612	1" - 11	3/4" - 14	26	18	40
52.5001.2008	1.1/4" - 11	1/2" - 14	28	19	50
52.5001.2012	1.1/4" - 11	3/4" - 14	28	19	50
52.5001.2016	1.1/4" - 11	1" - 11	28	19	50
52.5001.2408	1.1/2" - 11	1/2" - 14	30	20	55
52.5001.2412	1.1/2" - 11	3/4" - 14	30	20	55
52.5001.2416	1.1/2" - 11	1" - 11	30	20	55
52.5001.2420	1.1/2" - 11	1.1/4" - 11	30	20	55
52.5001.3216	2" - 11	1" - 11	34	22	70
52.5001.3220	2" - 11	1.1/4" - 11	34	22	70
52.5001.3224	2" - 11	1.1/2" - 11	34	22	70

MATERIAL: Carbon Steel

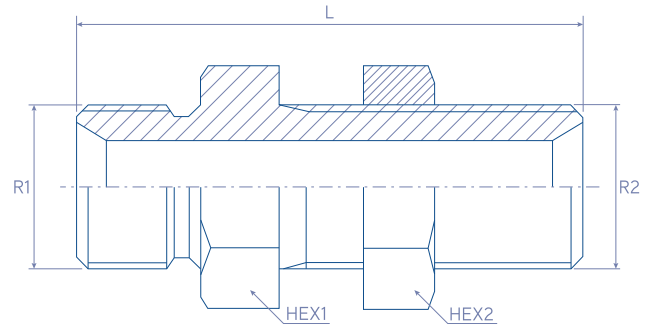
FINISH: Chromium - (VI) Free Plating

VERSIONS: BALFIT® STAINLESS STEEL
BSPP MALE X BSP FIXED FEMALE
ADAPTER (add an 'S' at the end of the part
number; ex: 52.5001.0806 S)



Balfit® BSP Bulkhead Connector

52.5003.
ISO 8434-6



REFERENCE	thread		dimensions		
	R1	R2	L	HEX1	HEX2
52.5003.04	1/4" - 19	1/4" - 19	48,4	19	19
52.5003.06	3/8" - 19	3/8" - 19	54,2	22	22
52.5003.08	1/2" - 14	1/2" - 14	61	27	27
52.5003.12	3/4" - 14	3/4" - 14	66,2	32	32
52.5003.16	1" - 11	1" - 11	74,2	38	38

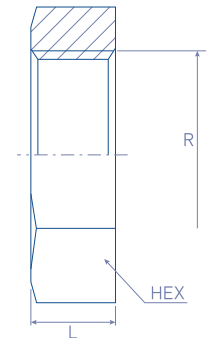
MATERIAL: Carbon Steel

FINISH: Chromium - (VI) Free Plating

VERSIONS: BALFIT® STAINLESS STEEL BSP BULKHEAD CONNECTOR (add an 'S' at the end of the part number; ex: 52.5003.06 S)

Balfit® BSP Locknut

52.5004.
ISO 8434-6



REFERENCE	thread	dimensions	
		L	HEX
52.5004.04	1/4" - 19	7	19
52.5004.06	3/8" - 19	7	22
52.5004.08	1/2" - 14	9	27
52.5004.12	3/4" - 14	12	32
52.5004.16	1" - 11	12	38

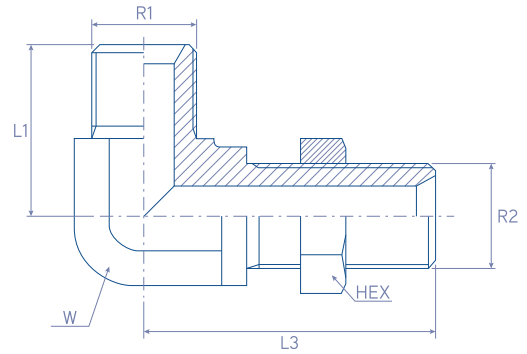
MATERIAL: Carbon Steel

FINISH: Chromium - (VI) Free Plating

VERSIONS: BALFIT® STAINLESS STEEL BSP LOCKNUT (add an 'S' at the end of the part number; ex: 52.5004.06 S)

Balfit® 90° Elbow BSP Bulkhead Connector

52.5005.
ISO 8434-6



REFERENCE	thread		dimensions			
	R1	R2	L1	L2	W	HEX
52.5005.04	1/4" - 19	1/4" - 19	25	46	14	19
52.5005.06	3/8" - 19	3/8" - 19	30	54	19	22
52.5005.08	1/2" - 14	1/2" - 14	37	61	22	27
52.5005.12	3/4" - 14	3/4" - 14	40	68	27	32
52.5005.16	1" - 11	1" - 11	48	71	33	38
52.5005.20	1.1/4" - 11	1.1/4" - 11	50	79	41	50

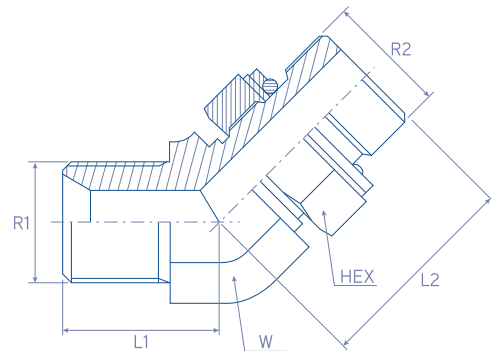
MATERIAL: Carbon Steel

FINISH: Chromium - (VI) Free Plating

VERSIONS: BALFIT® STAINLESS STEEL 90° ELBOW BSP BULKHEAD CONNECTOR (add an 'S' at the end of the part number; ex: 52.5005.06 S)

Balfit® 45° Elbow BSP Adjustable Connector

52.7008.
ISO 8434-6



REFERENCE	thread		dimensions			
	R1	R2	L1	L2	W	HEX
52.7008.02	1/8" - 28	1/8" - 28	25,5	14,8	11	14
52.7008.04	1/4" - 19	1/4" - 19	29	19,8	14	18
52.7008.06	3/8" - 19	3/8" - 19	33	23,3	19	22
52.7008.08	1/2" - 14	1/2" - 14	39	25,5	22	27
52.7008.12	3/4" - 14	3/4" - 14	42,3	29,3	27	32
52.7008.16	1" - 11	1" - 11	47	37	33	38
52.7008.20	1-1/4" - 11	1-1/4" - 11	48,5	35,5	41	50
52.7008.24	1.1/2" - 11	1.1/2" - 11	58,2	45,2	48	55

MATERIAL: Carbon Steel

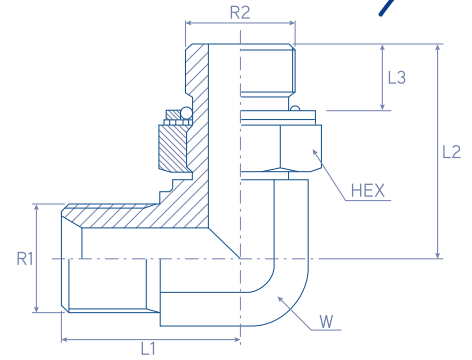
FINISH: Chromium - (VI) Free Plating

VERSIONS: BALFIT® STAINLESS STEEL 45° ELBOW ADJUSTABLE BSPP MALE (add an 'S' at the end of the part number; ex: 52.7008.06 S)



Balfit® 90° Elbow Adjustable BSPP Male

52.7009.
ISO 8434-6



REFERENCE	thread		dimensions				
	R1	R2	L1	L2	L3	W	HEX
52.7009.02	1/8" - 28	1/8" - 28	19	26	6	11	14
52.7009.04	1/4" - 19	1/4" - 19	25	32	10	14	19
52.7009.06	3/8" - 19	3/8" - 19	30	37	10	19	22
52.7009.08	1/2" - 14	1/2" - 14	36	44	13	22	27
52.7009.12	3/4" - 14	3/4" - 14	39	50	13	27	36
52.7009.16	1" - 11	1" - 11	46	54	16	33	41
52.7009.20	1-1/4" - 11	1-1/4" - 11	50	57	16	41	50
52.7009.24	1.1/2" - 11	1.1/2" - 11	55	63	16	48	55

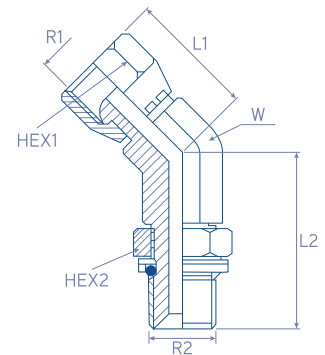
MATERIAL: Carbon Steel

FINISH: Chromium - (VI) Free Plating

VERSIONS: BALFIT® STAINLESS STEEL 90° ELBOW ADJUSTABLE BSPP MALE (add an 'S' at the end of the part number; ex: 52.7009.06 S)

Balfit® 45° Elbow Adjustable BSPP Male x Female

52.7011.
ISO 8434-6



REFERENCE	thread		dimensions				
	R1	R2	L1	L2	W	HEX1	HEX2
52.7011.02	1/8" - 28	1/8" - 28	23,5	18	11	14	14
52.7011.04	1/4" - 19	1/4" - 19	26	21	14	18	18
52.7011.06	3/8" - 19	3/8" - 19	34	25	19	22	22
52.7011.08	1/2" - 14	1/2" - 14	36	28	22	27	27
52.7011.12	3/4" - 14	3/4" - 14	39	33	27	32	32
52.7011.16	1" - 11	1" - 11	39	37	33	38	38

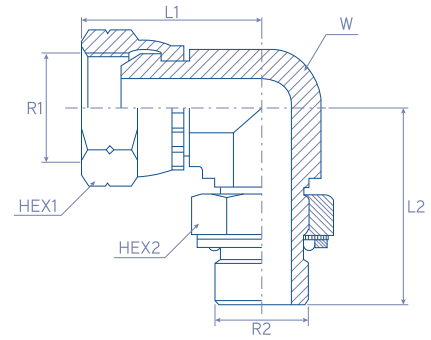
MATERIAL: Carbon Steel

FINISH: Chromium - (VI) Free Plating

VERSIONS: BALFIT® STAINLESS STEEL 45° ELBOW ADJUSTABLE BSPP MALE X FEMALE (add an 'S' at the end of the part number; ex: 52.7011.06 S)

Balfit® 90° Elbow Adjustable BSPP Male x Female

52.7010.
ISO 8434-6



REFERENCE	thread		dimensions				
	R1	R2	L1	L2	W	HEX1	HEX2
52.7010.02	1/8" - 28	1/8" - 28	24	26	11	14	14
52.7010.04	1/4" - 19	1/4" - 19	29	32	14	18	18
52.7010.06	3/8" - 19	3/8" - 19	31	37	19	22	22
52.7010.08	1/2" - 14	1/2" - 14	41	44	22	27	27
52.7010.12	3/4" - 14	3/4" - 14	46	50	27	32	32
52.7010.16	1" - 11	1" - 11	49	54	33	38	38
52.7010.20	1-1/4" - 11	1-1/4" - 11	58	57	41	50	50

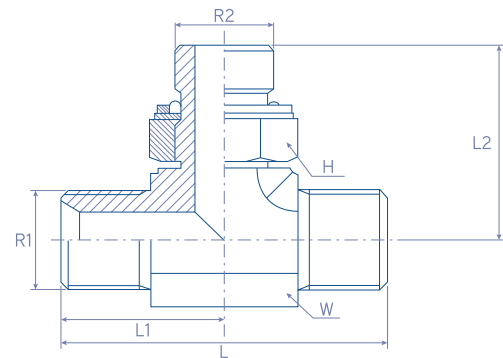
MATERIAL: Carbon Steel

FINISH: Chromium - (VI) Free Plating

VERSIONS: BALFIT® STAINLESS STEEL
90° ELBOW ADJUSTABLE BSPP MALE X
FEMALE (add an 'S' at the end of the part
number; ex: 52.7010.06 S)

Balfit® BSPP Male Adjustable Branch Tee

52.7012.
ISO 8434-6



REFERENCE	thread	dimensions				
	R1	L	L1	L2	W	HEX
52.7012.020202	1/8" - 28	40	26	20	11	14
52.7012.040404	1/4" - 19	52	32	26	14	19
52.7012.060606	3/8" - 19	60	37	30	19	22
52.7012.080808	1/2" - 14	72	43	36	22	27
52.7012.121212	3/4" - 14	78	50	39	27	36
52.7012.161616	1" - 11	92	52	46	33	41
52.7012.202020	1.1/4" - 11	99	57	49,5	41	50

MATERIAL: Carbon Steel

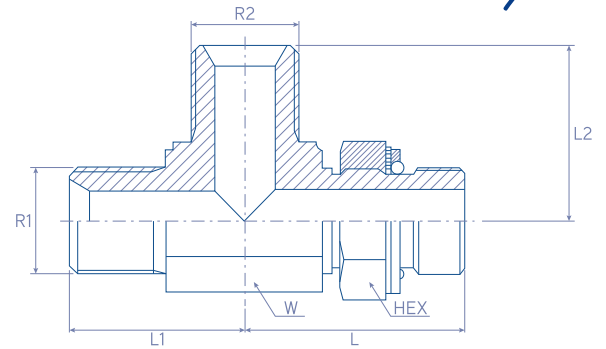
FINISH: Chromium - (VI) Free Plating

VERSIONS: BALFIT® STAINLESS STEEL
BSPP MALE ADJUSTABLE BRANCH AND
RUN TEE (add an 'S' at the end of the part
number; ex: 52.7012.06 S)



Balfit® BSPP Male Adjustable Run Tee

52.7013.
ISO 8434-6



REFERENCE	thread		dimensions				
	R1		L	L1	L2	W	HEX
52.7013.020202	1/8" - 28		46	26	20	11	14
52.7013.040404	1/4" - 19		58	32	26	14	19
52.7013.060606	3/8" - 19		67	37	30	19	22
52.7013.080808	1/2" - 14		79	43	36	22	27
52.7013.121212	3/4" - 14		88,5	49,5	39	27	36
52.7013.161616	1" - 11		98	52	46	33	41
52.7013.202020	1.1/4" - 11		106,5	57	49,5	41	50

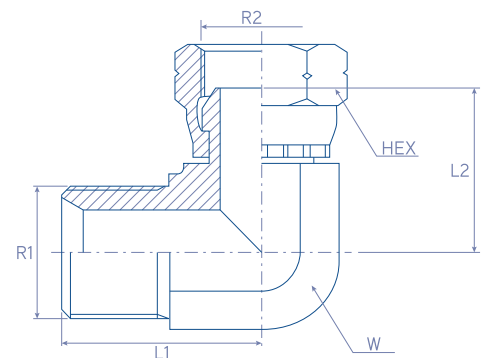
MATERIAL: Carbon Steel

FINISH: Chromium - (VI) Free Plating

VERSIONS: BALFIT® STAINLESS STEEL BSPP MALE ADJUSTABLE BRANCH AND RUN TEE (add an 'S' at the end of the part number; ex: 52.7013.06 S)

Balfit® 90° Elbow BSPP Male x Female

53.110.
ISO 8434-6



REFERENCE	thread		dimensions			
	R1	R2	L1	L2	W	HEX
53.110.0202	1/8" - 28	1/8" - 28	23,5	19,3	11	14
53.110.0404	1/4" - 19	1/4" - 19	29	25	14	18
53.110.0606	3/8" - 19	3/8" - 19	34	30	19	22
53.110.0808	1/2" - 14	1/2" - 14	40	34,5	22	27
53.110.1212	3/4" - 14	3/4" - 14	51,5	39	27	32
53.110.1616	1" - 11	1" - 11	48,5	45	33	38
53.110.2020	1.1/4" - 11	1.1/4" - 11	57	50	41	50
53.110.2424	1.1/2" - 11	1.1/2" - 11	62	55	48	60
53.110.3232	2" - 11	2" - 11	70	62	58	70

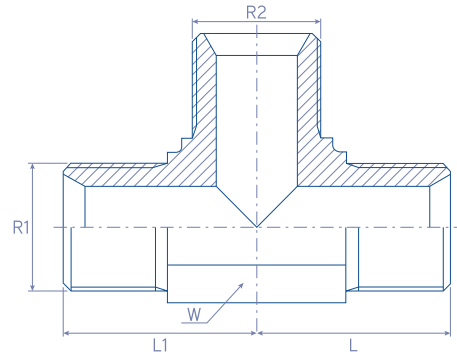
MATERIAL: Carbon Steel

FINISH: Chromium - (VI) Free Plating

VERSIONS: BALFIT® STAINLESS STEEL 90° ELBOW BSPP MALE X FEMALE (add an 'S' at the end of the part number; ex: 53.110.0606 S)

Balfit® Union BSP Male Tee

53.300.
ISO 8434-6



REFERENCE	thread		dimensions		
	R		L	L1	W
53.300.020202	1/8" - 28		40	20	11
53.300.040404	1/4" - 19		50	25	14
53.300.060606	3/8" - 19		60	30	19
53.300.080808	1/2" - 14		69	34,5	22
53.300.121212	3/4" - 14		80	40	27
53.300.161616	1" - 11		92	46	33
53.300.202020	1.1/4" - 11		99	49,5	41
53.300.242424	1.1/2" - 11		110	55	48
53.300.323232	2.1" - 11		124	62	58

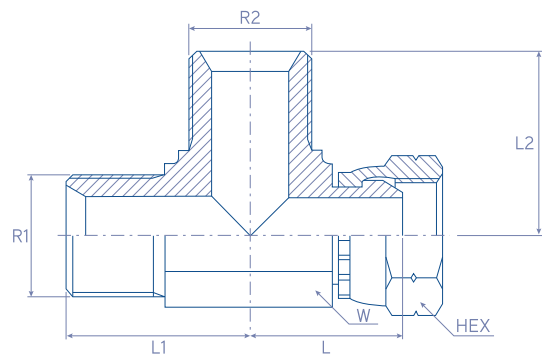
MATERIAL: Carbon Steel

FINISH: Chromium - (VI) Free Plating

VERSIONS: BALFIT® STAINLESS STEEL UNION BSP MALE TEE (add an 'S' at the end of the part number; ex: 53.300.06 S)

Balfit® Swivel BSP Run Tee

53.4011.
ISO 8434-6



REFERENCE	thread		dimensions				
	R1	R2	L	L1	L2	W	HEX
53.4011.020202	1/8" - 28	1/8" - 28	43,5	25	20	11	14
53.4011.040404	1/4" - 19	1/4" - 19	54	29	25	14	18
53.4011.060606	3/8" - 19	3/8" - 19	64	34	30	19	22
53.4011.080808	1/2" - 14	1/2" - 14	74,5	40	34,5	22	27
53.4011.121212	3/4" - 14	3/4" - 14	85	46	39	27	32
53.4011.161616	1" - 11	1" - 11	96	50	46	33	38
53.4011.202020	1.1/4" - 11	1.1/4" - 11	103,5	54	49,5	41	50
53.4011.242424	1.1/2" - 11	1.1/2" - 11	120	65	55	48	60
53.4011.323232	2" - 11	2" - 11	132	70	62	58	70

MATERIAL: Carbon Steel

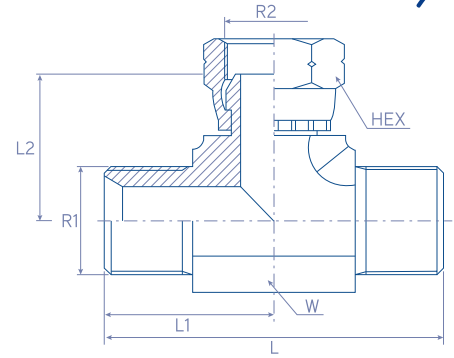
FINISH: Chromium - (VI) Free Plating

VERSIONS: BALFIT® STAINLESS STEEL SWIVEL BSP RUN TEE (add an 'S' at the end of the part number; ex: 53.4011.06 S)



Balfit® Swivel BSP Branch Tee

53.4012.
ISO 8434-6



REFERENCE	thread		dimensions				
	R1	R2	L	L1	L2	W	HEX
53.4012.020202	1/8" - 28	1/8" - 28	40	20	23,5	11	14
53.4012.040404	1/4" - 19	1/4" - 19	50	25	29	14	18
53.4012.060606	3/8" - 19	3/8" - 19	60	30	34	19	22
53.4012.080808	1/2" - 14	1/2" - 14	66	34,5	40	22	27
53.4012.121212	3/4" - 14	3/4" - 14	78	39	46	27	32
53.4012.161616	1" - 11	1" - 11	92	46	50	33	38
53.4012.202020	1.1/4" - 11	1.1/4" - 11	99	49,5	54	41	50
53.4012.242424	1.1/2" - 11	1.1/2" - 11	110	55	65	48	60
53.4012.323232	2" - 11	2" - 11	124	62	70	58	70

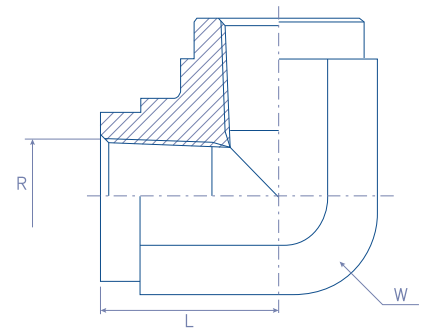
MATERIAL: Carbon Steel

FINISH: Chromium - (VI) Free Plating

VERSIONS: BALFIT® STAINLESS STEEL
SWIVEL BSP BRANCH TEE (add an 'S' at the
end of the part number; ex: 53.4012.06 S)

Balfit® 90° BSPP Elbow Fixed Female Union

53.120.
ISO 8434-6



REFERENCE	thread	dimensions	
	R	L	W
53.120.0202	1/8" - 28	16	14
53.120.0404	1/4" - 19	22	19
53.120.0606	3/8" - 19	26	22
53.120.0808	1/2" - 14	31	27
53.120.1212	3/4" - 14	36	33
53.120.1616	1" - 11	44	41
53.120.2020	1.1/4" - 11	50	48
53.120.2424	1.1/2" - 11	54	58
53.120.3232	2" - 11	70	65

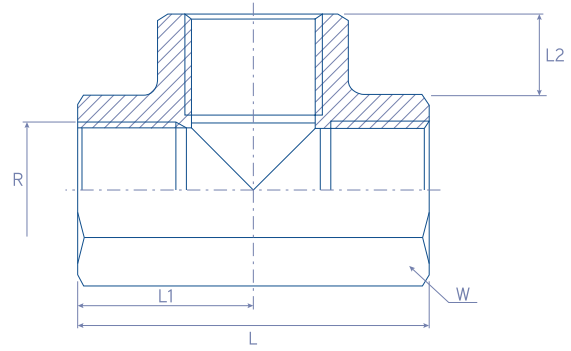
MATERIAL: Carbon Steel

FINISH: Chromium - (VI) Free Plating

VERSIONS: BALFIT® STAINLESS STEEL
90° BSPP ELBOW FIXED FEMALE UNION
(add an 'S' at the end of the part number; ex:
53.120.0606 S)

Balfit® Fixed Female BSPP Tee

53.302.
ISO 8434-6



REFERENCE	thread	dimensions			
	R	L	L1	L2	W
53.302.020202	1/8" - 28	33	16,5	10	14
53.302.040404	1/4" - 19	44	22	11	19
53.302.060606	3/8" - 19	52	26	13	22
53.302.080808	1/2" - 14	62	31	15	27
53.302.121212	3/4" - 14	70	35	17	33
53.302.161616	1" - 11	88	44	20	41
53.302.202020	1.1/4" - 11	100	50	23	48
53.302.242424	1.1/2" - 11	108	54	24	58
53.302.323232	2" - 11	140	70	26	66

MATERIAL: Carbon Steel

FINISH: Chromium - (VI) Free Plating

VERSIONS: BALFIT® STAINLESS STEEL
FIXED FEMALE BSPP TEE (add an 'S' at the
end of the part number; ex: 53.302.06 S)



PRODUCTS LIMITED WARRANTY

The products sold by Balflex® are warranted to our customers to be free from defects in material and workmanship when shipment at Balflex® warehouses takes place.

All warranty claims shall be made present in writing to Balflex®. Balflex® liability hereunder is limited to the purchase price of the merchandise proving to be defective or, at balflex sole discretion, to the replacement of such merchandise upon its authorized return to Balflex®.

This warranty is in lieu of and excludes all other warranties, or conditions expressed, implied, statutory or otherwise created under applicable law including, but not limited to the warranty of merchantability and the warranty of fitness for a particular purpose.

In addition, this warranty shall not apply and will be null and void to any products or portions thereof that have been subject to abuse, misuse, improper installation, maintenance or operation, electrical failure or abnormal conditions and to products that have been tampered with, altered, modified, repaired, reworked by anyone not approved by balflex or used in any other manner inconsistent with any Balflex® instructions or specifications. Balflex® disclaims any liability for any hose assemblies which have not been produced with in conformance with Balflex® assembly recommendations and parts.

In no event shall balflex have any liability whatsoever to any person, including without limitation, any immediate buyer, purchaser or other third party, for any special, punitive, incidental or consequential damages, including without limitation, profit loss or customer loss, loss or damage to physical property of customer or any other person and loss of anticipated revenue, profits, goodwill, savings or other economic loss of customer or any other person.

Specification subject to change without prior notice.
Errors and omission excluded.



U.S.A. and Canada

6000 South Loop East Freeway
Houston, Tx 77033
United States of America
Tel: (1) 713-928-6064
Email: sales@balflex.com
www.balflexusa.com

Europe Headquarters

R. Bouça dos Estilhadouros, 226/254
4445-044 Alfena, Portugal
Tel: (351) 229 698 160
Email: balflex@balflex.com
www.balflex.com

Germany

Franckensteinstraße 8
77749 Hohberg
Tel: (49) 07808 4318857
Email: info@2bhydraulik.de
www.balflex.com

South America

R. Padre Cesari Lelli, 1014
Rodovia BR-116
CEP 83420-000 Quatro Barras/PR
Brasil
Tel: (55) 41 3671 3450
Email: comercial@balflex.com.br
www.balflex.com

An ISO 9001:2015 Company:



Cofinanciado por:

