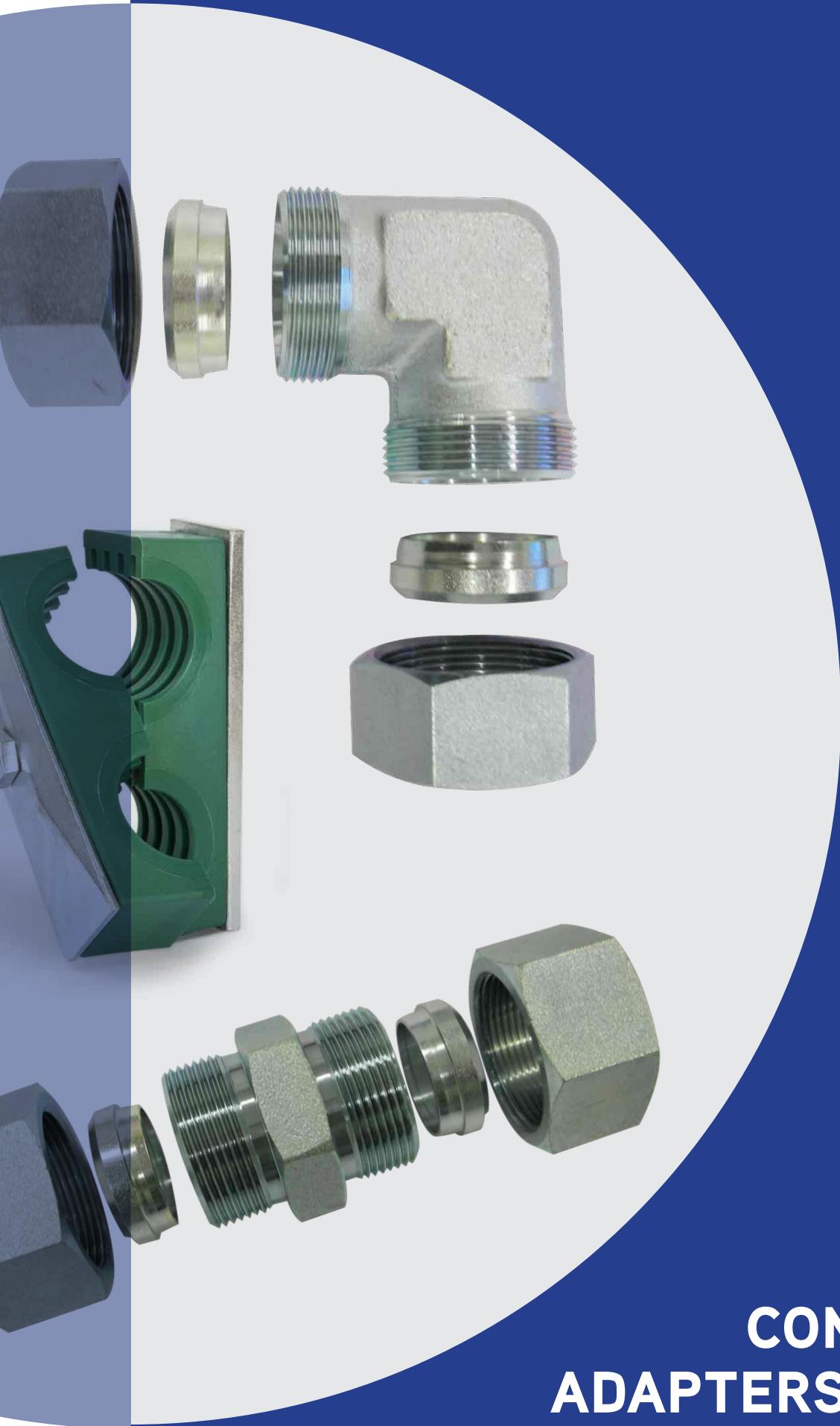


# Balflex<sup>®</sup>



**BALFLEX  
24° TUBE  
CONNECTORS  
ADAPTERS CATALOG**

# European Technology

---

*Established since 1963, **Balflex**<sup>®</sup> is a European international group of companies dedicated to the design, production, assembly and distribution of all types of high-tech products for conduction of fluids, measuring of pressure and power transmission at very high quality level.*

*6 decades of know-how and expertise in this field, makes **Balflex**<sup>®</sup> the first choice for the mining, agriculture, off-shore and construction industries.*

*Today the **Balflex**<sup>®</sup> Group covers worldwide users through our own company's production facilities, branches and net of certified distributors.*

**Balflex**<sup>®</sup> valorizes the inside meaning of the words we use: **Excellence** the quality of being outstanding; **Innovation** the action or process of innovating; **Partnership** cooperation relationship between two or more people, having in mind a common goal; **Tradition** way of thinking or acting, inherited from previous generations.

---





# Quality

*Quality is very important for us. We have fully equipped, modern laboratories and equipment, employing the industries most experienced personnel.*

Balflex® has earned various certifications for our Management Systems and Products. This reliable and consistent approach has allowed us to achieve our ISO 9001:2015 certification. At Balflex® quality and service always comes first. We are dedicated to continue the development of new products with a strong emphasis on quality.

## Member of:



## Certified by:

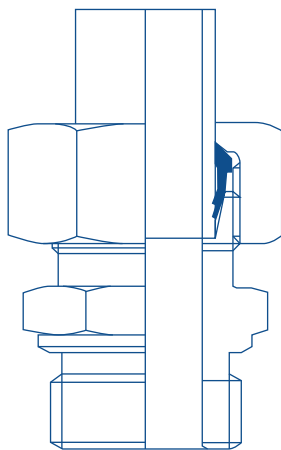






# Balfit 24° Compression Ring Hydraulic Pipe Fittings

*The range of Balfit® 24° compression ring hydraulic pipe fittings is produced according to ISO 8434-1 and DIN 2353 standards. It covers a very wide variety of applications typical of hydraulic pipe pressure lines.*



Balflex® optimized the production of these fittings and their compatibility with a wide range of other types of hydraulic fittings, in order to assure the highest performance and the most extensive range of applications, including BSP and taper threads included in DIN 2353 and not included in ISO 8434-1, as well NPTFF threads and banjos not foreseen in both standards, but common in industrial standards. The Balfit® hydraulic fittings program in this catalogue includes thus complete fittings (body, cutting ring and nut) with:

- metric parallel
- BSP parallel and taper threads
- NPTFF threads
- UNF threads

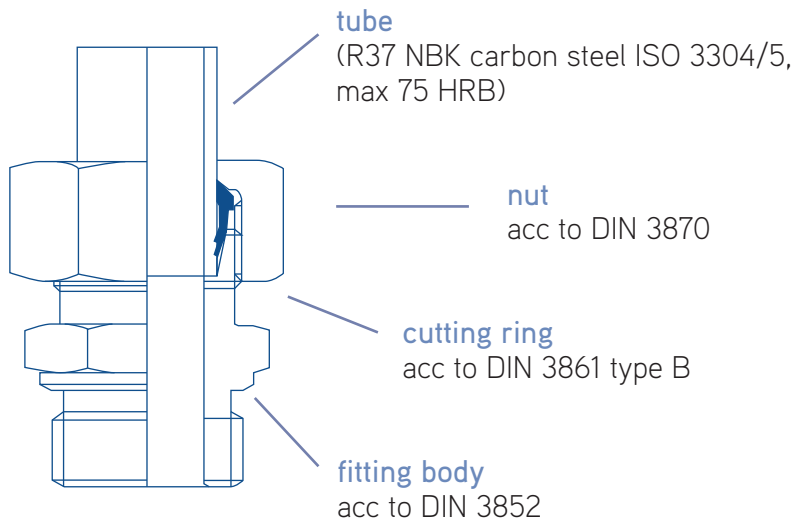
## Compression ring operation principle

---

The compression ring (also called cutting ring) mechanical fittings assure assembly of threaded fittings to removable hydraulic tubes without any need of tapping, welding or flaring. It provides maximum assembly simplicity with perfect sealing characteristics.

Sealing is achieved through permanent deformation of the tube. The compression ring is designed to fit on the tube and into the 24° cone of the fitting body. When the nut is tightened the ring is compressed into the cone and its cutting edge bites into the tube, assuring through deformation of the tube outer wall both securement and sealing.

Balfit® compression ring fittings use DIN 3861 type B compression rings, with 2 cutting edges. This design has the advantage of providing a better balance of forces, superior sealing and added resistance to vibrations.



## Assembly Instructions

The preparation sequence comprises the following 3 steps:

- a) The tube is cut square with a hack-saw (roller type saws should be avoided), leaving a straight section for assembly of the fitting with at least twice the length of the nut; the tube edges must be de-burred.
- b) All contact parts (e.g. the 24° cone, the threads and the ring) must be lubricated with an adequate product.
- c) The nut and the compression ring are inserted up the tube as in the picture above; the larger diameter of the ring must face the nut in order that the cutting edges will face the 24° cone of the fitting body.

Tubes shall conform to ISO 3304/5 R37 NBK or DIN 1630 St 37.4, with maximum hardness of HRB 75. Light wall tubes may require an insert.

Assembly should follow the instructions of DIN 3859 part 2 and is also a 3-step procedure:

- the cutting ring is made to bite the tube;
- the correct seating of the cutting ring is verified;
- the assembly is tightened.

The first step can be made either on the final application placement, using standard fitting body, or as a pre-assembly on a workbench using a specific hardened tool with the 24° cone form. The wear of pre-assembly tools has to be verified every 40 to 50 assemblies. Large diameter tubes (Ø 10 mm) should always be pre-assembled using hardened blocks. If standard fitting bodies are used, they should be replaced with each tightening.

### Assembly using hardened tools comprises:

- a) To make the compression ring bite into the tube (step 1), hold the tube firmly against the 24° cone and tighten the nut 3/4 of a turn.
- b) Loosen the nut to verify (step 2) that the compression ring edges have cut into the tube (a raised edge of tube material must be clearly visible all around the tube in front of the compression ring).
- c) Tighten the tube on the pressure line (step 3) until resistance is met (which means that the previous tightening position is found); turn the nut another 1/4 of a turn for optimal pressure resistance.



**Note:** In step one make sure that the tube is held firmly against the cone; otherwise it will advance with the nut and the ring will not cut into its surface. Make sure also that the tube does not rotate with the nut. In a successful pre-assembly the ring may still be turned around the tube, although not moving from its placement. If the ring is not correctly secured the process has to be restarted.

### Assembly on the final placement with standard fittings comprises:

- a) To make the compression ring bite into the tube (step 1), hold the tube firmly against the 24° cone tighten the nut by hand against the ring and then tighten the nut 1 1/2 turns with two wrenches.
- b) Loosen the nut to verify (step 2) that the compression ring edges have cut into the tube (a raised edge of tube material must be clearly visible all around the tube in front of the compression ring).
- c) Tighten the nut again (step 3) with the same force as in step 1.

## Technical Characteristics

---

The **Balfit®** compression ring fittings in carbon steel are designed for petroleum based hydraulic fluids applications with a **temperature range of -20°C to +100°C**. These limits may be exceeded using other construction materials for the fittings bodies and sealing rings. Stainless steel variants of the fittings with viton seals, achieving maximum temperatures of 200° C, are listed in the catalogue pages. If other fluids are used, corrosion resistance of the fittings should be verified before application.

Pressure classes for **Balfit®** compression ring fittings follow ISO and DIN standards classification in

- **L** for light duty fittings, with a maximum working pressure of 31,5 MPa (4500 PSI); and
- **S** for heavy duty fittings, with a maximum working pressure of 63 MPa (9000 PSI).

The **safety factor of 4:1** relating minimum burst pressure to recommended working pressure applies. The working pressure for each fitting and size is listed in the catalogue pages for working temperature of 20° C. A linear de-rating factor of 12%/100°C should be used for higher working temperatures.

Compression ring fittings have good resistance to vibration. However, in presence of fluid hammering, the heavy duty fittings should be used.

Cylindrical and taper threads should be used always matched. In case of cylindrical threads used against softer materials, gasket type should always be preferred, to guarantee sealing even at low torque values.



## Hose Fittings Pressure Ratings

For each type of fitting there is a maximum working pressure recommended in table below. Whenever information is not available, contact the manufacturer.

Inch Fittings (size)													
Maximum Working pressure (MPa/psi) – safety factor 4:1													
Description	Part Number	-2	-3	-4	-5	-6	-8	-10	-12	-16	-20	-24	-32
NPTF Male	XX.0400 XX.0410 XX.0490	34.5 5000		27.6 4000		20.7 3000	20.7 3000		17.2 2500	13.8 2000	7.9 1150	6.9 1000	6.9 1000
BSP Male	XX.0100	42.0 6090		45.0 6525		40.0 5800	40.0 5800	40.0 5800	38.0 5510	34.5 5003	24.0 3480	21.0 3045	17.2 2494

Metric Tube (mm) – Light Serie "L"											
Maximum Working pressure (MPa/psi) – safety factor 4:1											
Description	Part Number	6	8	10	12	15	18	22	28	35	42
Metric Male	XX.1000	25.0 3625	25.0 3625	25.0 3625	25.0 3625	25.0 3625	16.0 2320	16.0 2320	10.0 1450	10.0 1450	10.0 1450
Metric Swivel Female with O-ring	XX.5013 XX.5043 XX.5093	25.0 3625	25.0 3625	25.0 3625	25.0 3625	25.0 3625	16.0 2320	16.0 2320	10.0 1450	10.0 1450	10.0 1450

Metric Tube (mm) – Heavy Serie "S"											
Maximum Working pressure (MPa/psi) – safety factor 4:1											
Description	Part Number	6	8	10	12	14	16	20	25	30	38
Metric Male	XX.1100	63.0 9135	63.0 9135	63.0 9135	63.0 9135	63.0 9135	40.0 5800	40.0 5800	40.0 5800	25.0 3625	25.0 3625
Metric Swivel Female with O-ring	XX.5113 XX.5143 XX.5193	63.0 9135	63.0 9135	63.0 9135	63.0 9135	63.0 9135	40.0 5800	40.0 5800	40.0 5800	25.0 3625	25.0 3625

The Working Pressure of the hose assembly shall be the lower of the pressures given for its sizes in the fittings standards and in the the relevant hose specification.



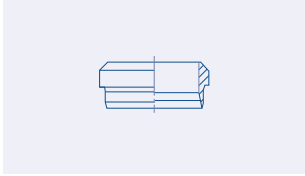
# Balfit 24° Compression Ring Hydraulic Pipe Fittings

---





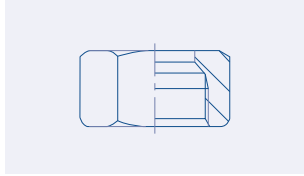
## Nut, Ring & Locknut



**24° Double Edge  
Compression Ring**

34.101

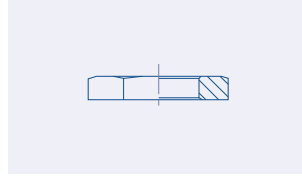
pag. 16



**Tightening Nut**

34.102

pag. 17

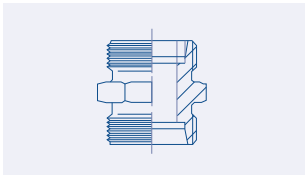


**Metric Bulkhead Nut**

34.179

pag. 18

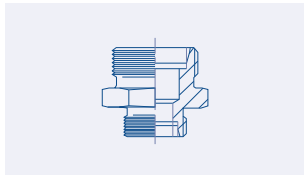
## Tube to Tube



**Straight Union  
Tube Connector**

34.135

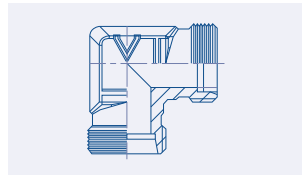
pag. 19



**Straight Reducing  
Union Tube Connector**

34.141

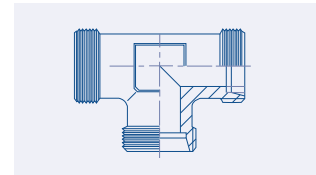
pag. 20



**90° Elbow Union  
Tube Connector**

34.138

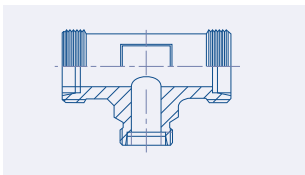
pag. 21



**Tee Union  
Tube Connector**

34.139

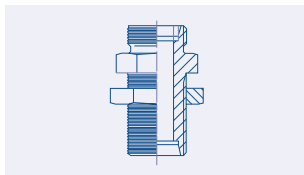
pag. 22



**Tee Reducing Union  
Tube Connector**

34.145

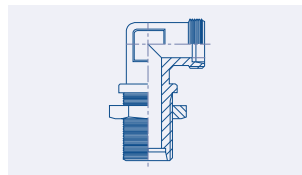
pag. 23



**Straight Bulkhead  
Union Tube Connector**

34.136

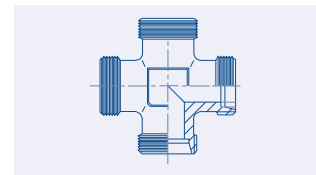
pag. 25



**90° Elbow Bulkhead  
Union Tube Connector**

34.137

pag. 26

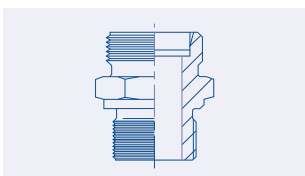


**Cross Union  
Tube Connector**

34.140

pag. 27

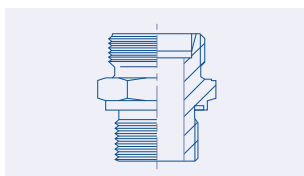
## Male Stud Tube Connectors



**BSP Parallel Male  
Tube Connector**

34.103

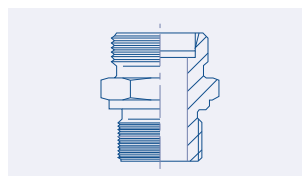
pag. 28



**BSP Parallel Male  
Tube Connector with  
Elastomeric Seal**

34.105

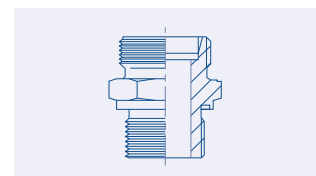
pag. 30



**Metric Male  
Tube Connector**

34.104

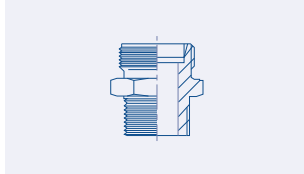
pag. 32



**Metric Male Tube  
Connector with  
Elastomeric Seal**

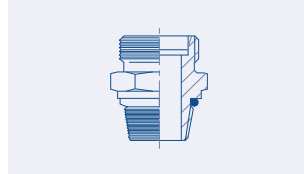
34.106

pag. 33



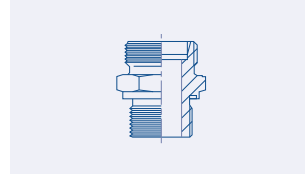
**BSPT Tapered Male  
Tube Connector**

34.117 pag. 34



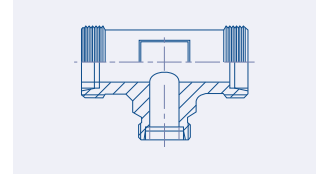
**NPTF Male  
Tube Connector**

34.118 pag. 35



**UNF Male  
Tube Connector**

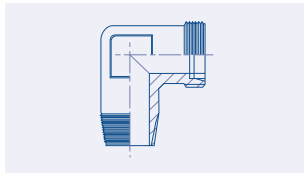
34.161 pag. 37



**Swivel Reducing  
Tube Connector**

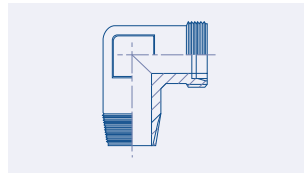
34.153 pag. 38

## Elbow Male Tube Connectors



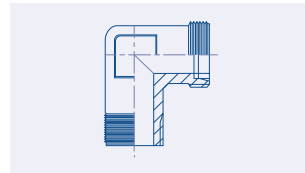
**BSPT Tapered 90° Elbow  
Male Tube Connector**

34.120 pag. 40



**NPTF Tapered 90°  
Elbow Male Tube  
Connector**

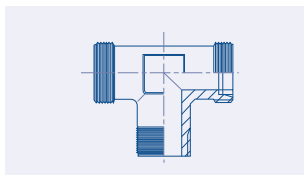
34.121 pag. 41



**Metric 90° Elbow  
Male Tube Connector**

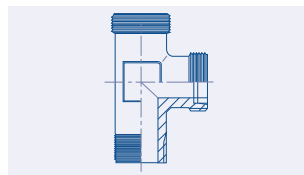
34.124 pag. 42

## Tee Tube Connectors



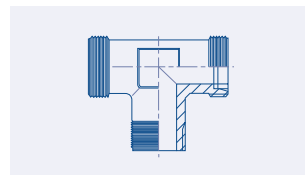
**BSPT Male Tapered  
Branch Tee Tube  
Connector**

34.125 pag. 43



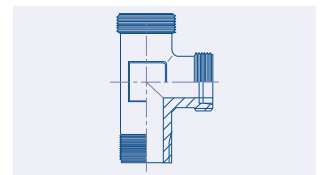
**BSPT Male Tapered  
Run Tee Tube Connector**

34.130 pag. 44



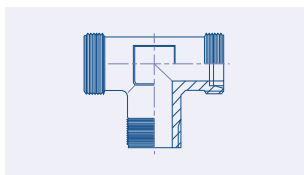
**Metric Male Branch  
Tee Tube Connector**

34.129 pag. 45



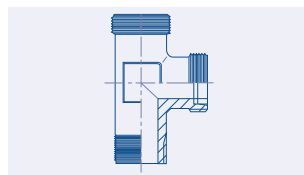
**Metric Male Run  
Tee Tube Connector**

34.134 pag. 46



**NPTF Male Branch  
Tee Tube Connector**

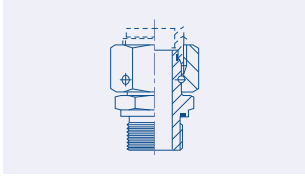
34.126 pag. 47



**NPTF Male Run Tee  
Tube Connector**

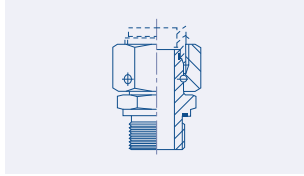
34.127 pag. 48

## Swivel Tube Connectors



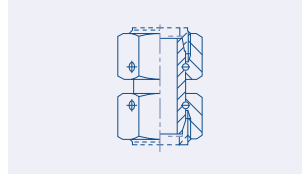
**BSP Male Swivel  
Tube Connector**

34.605 pag. 49



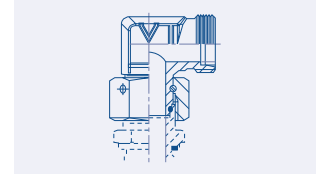
**Metric Male Swivel  
Tube Connector**

34.606 pag. 50



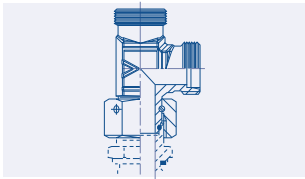
**Metric Swivel  
Tube Connector**

34.635 pag. 51



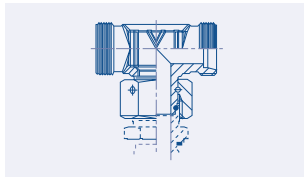
**Swivel 90° Elbow  
Adjustable Tube  
Connector**

34.642 pag. 52



**Swivel Run Tee  
Adjustable Tube  
Connector**

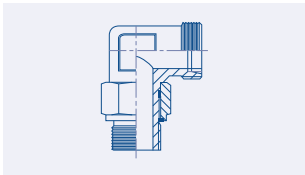
34.646 pag. 53



**Swivel Branch Tee  
Adjustable Tube  
Connector**

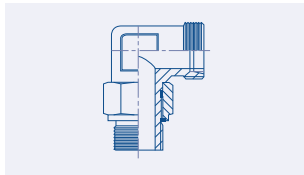
34.150 pag. 54

## Adjustable Tube Connectors



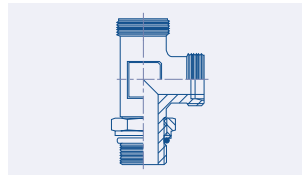
**BSP Male Adjustable 90°  
Elbow Tube Connector**

34.143 pag. 55



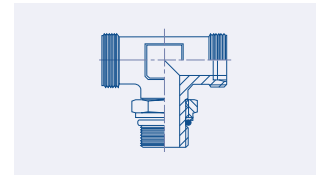
**Metric Male Adjustable 90°  
Elbow Tube Connector**

34.144 pag. 56



**Metric Male Run  
Tee Tube Connector**

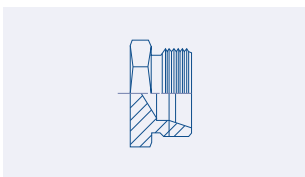
34.148 pag. 57



**Metric Male Branch  
Tee Tube Connector**

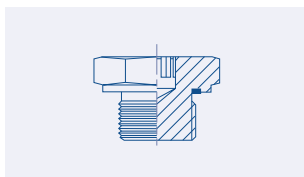
34.152 pag. 58

## Plugs



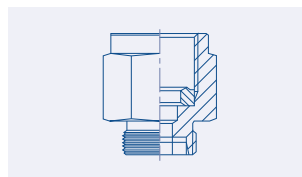
**Tube Blanking Screw**

34.175 pag. 59



**Metric Plug with  
Hexagon Socket**

34.177 pag. 60



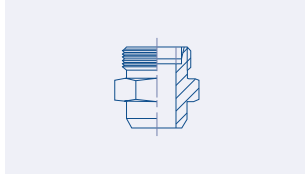
**BSP Gauge  
Tube Connector**

34.159 pag. 60



## Welding Tube Connectors

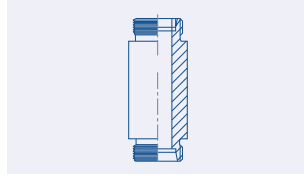
---



**Straight Welding  
Tube Connector**

34.155

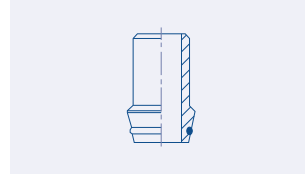
pag. 61



**Bulkhead Welding  
Tube Connector**

34.156

pag. 62



**Welding Nipple with  
O-Ring**

34.157

pag. 63



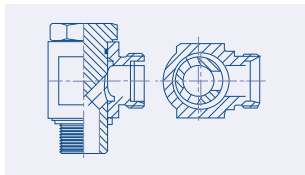
**Blanking Nipple**

34.158

pag. 64

## Banjo Tube Connectors

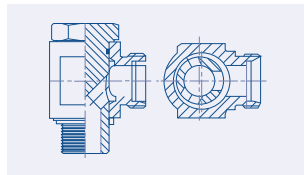
---



**BSP Banjo  
Tube Connector**

34.113

pag. 65



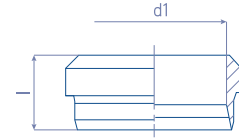
**Metric Banjo  
Tube Connector**

34.114

pag. 66



# 24° Double Edge Compression Ring



34.101

ISO 8434-1 Cutting Ring

REFERENCE	serie	dimensions (mm)	
		Ø tube d1	l
34.101.06LS	L/S	6	9.5
34.101.08LS	L/S	8	9.5
34.101.10LS	L/S	10	10.0
34.101.12LS	L/S	12	10.0
34.101.15L	L	15	10.0
34.101.18L	L	18	10.0
34.101.22L	L	22	10.5
34.101.28L	L	28	11.0
34.101.35L	L	35	13.0
34.101.42L	L	42	13.0
34.101.14S	S	14	10.0
34.101.16S	S	16	10.5
34.101.20S	S	20	12.0
34.101.25S	S	25	12.0
34.101.30S	S	30	13.0
34.101.38S	S	38	13.0

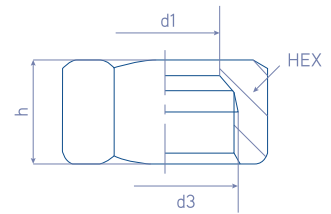
**MATERIAL:** Carbon Steel

**FINISH:** : Chromium-(VI) Free plating  
with Finigard® protective coating

**VERSIONS:** Stainless Steel (add an 'S'  
at the end of the REFERENCE)



# Tightening Nut



34.102.  
ISO 8434-1 Nut

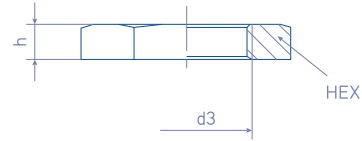
REFERENCE	serie	dimensions (mm)		dimensions (mm)	
		Ø tube d1	H	d3	HEX
34.102.06L	L	6	14.5	12x1.5	14
34.102.08L	L	8	14.5	14x1.5	17
34.102.10L	L	10	15.5	16x1.5	19
34.102.12L	L	12	15.5	18x1.5	22
34.102.15L	L	15	17.0	22x1.5	27
34.102.18L	L	18	18.0	26x1.5	32
34.102.22L	L	22	20.0	30x2.0	36
34.102.28L	L	28	21.0	36x2.0	41
34.102.35L	L	35	24.0	45x2.0	50
34.102.42L	L	42	24.0	52x2.0	60
34.102.06S	S	6	16.5	14x1.5	17
34.102.08S	S	8	16.5	16x1.5	19
34.102.10S	S	10	17.5	18x1.5	22
34.102.12S	S	12	17.5	20x1.5	24
34.102.14S	S	14	20.5	22x1.5	27
34.102.16S	S	16	20.5	24x1.5	30
34.102.20S	S	20	24	30x2	36
34.102.25S	S	25	27	36x2	46
34.102.30S	S	30	29	42x2	50
34.102.38S	S	38	32.5	52x2	60

**MATERIAL:** Carbon Steel

**FINISH:** : Chromium-(VI) Free plating

**VERSIONS:** Stainless Steel (add an 'S' at the end of the REFERENCE)

# Metric Bulkhead Nut



34.179.  
ISO 8434-1 nut

REFERENCE	dimensions (mm)		
	d3	h	HEX
34.179.M12	M12x1.5	6.0	17
34.179.M14	M14x1.5	6.0	19
34.179.M16	M16x1.5	6.0	22
34.179.M18	M18x1.5	6.0	24
34.179.M20	M22x1.5	6.0	27
34.179.M22	M22x1.5	7.0	30
34.179.M24	M24x1.5	7.0	32
34.179.M26	M26x1.5	8.0	36
34.179.M30	M30x2.0	8.0	41
34.179.M36	M36x2.0	9.0	46
34.179.M42	M42x2.0	9.0	50
34.179.M45	M45x2.0	9.0	55
34.179.M52	M52x2.0	10.0	65

**MATERIAL:** Carbon Steel

**FINISH:** : Chromium-(VI) Free plating

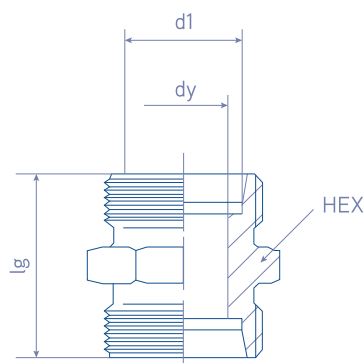
**VERSIONS:** Stainless Steel (add an 'S' at the end of the REFERENCE)



# Straight Union Tube Connector

34.135.

ISO 8434-1 tube coupling



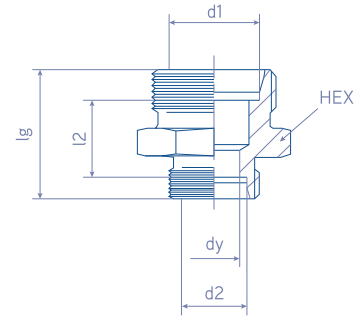
REFERENCE	serie	dimensions (mm)			
		Ø tube d1	dy	lg	HEX
34.135.06L	L	6	4	24.0	12
34.135.08L	L	8	6	25.0	14
34.135.10L	L	10	8	27.0	17
34.135.12L	L	12	10	28.0	19
34.135.15L	L	15	12	30.0	24
34.135.18L	L	18	15	31.0	27
34.135.22L	L	22	19	35.0	32
34.135.28L	L	28	24	36.0	41
34.135.35L	L	35	30	41.0	46
34.135.42L	L	42	36	43.0	55
34.135.06S	S	6	4	30.0	14
34.135.08S	S	8	5	32.0	17
34.135.10S	S	10	7	32.0	19
34.135.12S	S	12	8	34.0	22
34.135.14S	S	14	10	38.0	24
34.135.16S	S	16	12	38.0	27
34.135.20S	S	20	16	44.0	32
34.135.25S	S	25	20	50.0	41
34.135.30S	S	30	25	54.0	46
34.135.38S	S	38	32	61.0	55

**MATERIAL:** Carbon Steel  
**FINISH:** : Chromium-(VI) Free plating

**COMPLETE:** With Double Edge Compression Ring and Tightening Nut (add an 'P' at the begin of REFERENCE)

**VERSIONS:** Stainless Steel (add an 'S' at the end of the REFERENCE)

# Straight Reducing Union Tube Connector



34.141.

ISO 8434-1 tube coupling

REFERENCE	serie	dimensions (mm)	dimensions (mm)	dimensions (mm)			
		Ø tube d1	Ø tube d2	dy	lg	l2	HEX
34.141.0806L	L	8	6	4	25.0	11.0	14
34.141.1006L	L	10	6	4	26.0	12.0	17
34.141.1008L	L	10	8	6	26.0	12.0	17
34.141.1206L	L	12	6	4	27.0	13.0	19
34.141.1208L	L	12	8	6	27.0	13.0	19
34.141.1210L	L	12	10	8	28.0	14.0	19
34.141.1510L	L	15	10	8	29.0	15.0	24
34.141.1512L	L	15	12	10	29.0	15.0	24
34.141.1810L	L	18	10	8	30.0	15.5	27
34.141.1812L	L	18	12	10	30.0	15.5	27
34.141.1815L	L	18	15	12	31.0	16.5	27
34.141.2215L	L	22	15	12	33.0	18.5	32
34.141.2218L	L	22	18	15	33.0	18.0	32
34.141.2818L	L	28	18	15	34.0	19.0	41
34.141.2822L	L	28	22	19	36.0	21.0	41
34.141.3522L	L	35	22	19	39.0	21.0	46
34.141.3528L	L	35	28	24	39.0	21.0	46
35.141.4228L	L	42	28	24	41.0	22.5	55
35.141.4235L	L	42	35	30	43.0	21.5	55
34.141.0806S	S	8	6	4	32.0	18.0	17
34.141.1006S	S	10	6	4	32.0	17.5	19
34.141.1008S	S	10	8	8	32.0	17.5	19
34.141.1206S	S	12	6	4	34.0	19.5	22
34.141.1208S	S	12	8	5	34.0	19.5	22
34.141.1210S	S	12	10	7	34.0	19.0	22
34.141.1410S	S	14	10	7	36.0	20.5	24
34.141.1412S	S	14	12	8	36.0	20.5	24
34.141.1612S	S	16	12	8	36.0	20.0	27
34.141.1614S	S	16	14	10	38.0	21.5	27
34.141.2010S	S	20	10	7	40.0	22.0	32
34.141.2012S	S	20	12	8	40.0	22.0	32
34.141.2016S	S	20	16	12	42.0	23.0	32
34.141.2516S	S	25	16	12	47.0	26.5	41
34.141.2520S	S	25	20	16	48.0	25.5	41
34.141.3020S	S	30	20	16	50.0	26.0	46
34.141.3025S	S	30	25	20	52.0	26.5	46
34.141.3830S	S	38	30	25	59.0	29.5	55

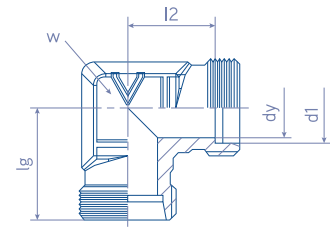
**MATERIAL:** Carbon Steel  
**FINISH:** : Chromium-(VI) Free plating

**COMPLETE:** With Double Edge Compression Ring and Tightening Nut (add an 'P' at the begin of REFERENCE)

**VERSIONS:** Stainless Steel (add an 'S' at the end of the REFERENCE)



# 90° Elbow Union Tube Connector



34.138.

ISO 8434-1 tube coupling

REFERENCE	serie	dimensions (mm)				
		Ø tube d1	dy	lg	l2	w
34.138.06L	L	6	4	19.0	12.0	12
34.138.08L	L	8	6	21.0	14.0	14
34.138.10L	L	10	8	22.0	15.0	17
34.138.12L	L	12	10	24.0	17.0	19
34.138.15L	L	15	12	28.0	21.0	19
34.138.18L	L	18	15	31.0	23.5	24
34.138.22L	L	22	19	35.0	27.5	27
34.138.28L	L	28	24	38.0	30.5	36
34.138.35L	L	35	30	45.0	34.5	41
34.138.42L	L	42	36	51.0	40.0	50
34.138.06S	S	6	4	23.0	16.0	14
34.138.08S	S	8	5	24.0	17.0	17
34.138.10S	S	10	7	25.0	17.5	19
34.138.12S	S	12	8	29.0	21.5	22
34.138.14S	S	14	10	30.0	22.0	19
34.138.16S	S	16	12	33.0	24.5	24
34.138.20S	S	20	16	37.0	26.5	27
34.138.25S	S	25	20	42.0	30.0	36
34.138.30S	S	30	25	49.0	35.5	41
34.138.38S	S	38	32	57.0	41.0	50

**MATERIAL:** Carbon Steel  
**FINISH:** : Chromium-(VI) Free plating

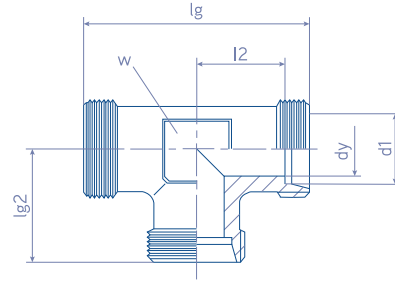
**COMPLETE:** With Double Edge Compression Ring and Tightening Nut (add an 'P' at the begin of REFERENCE)

**VERSIONS:** Stainless Steel (add an 'S' at the end of the REFERENCE)

# Tee Union Tube Connector

34.139.

ISO 8434-1 tube coupling



REFERENCE	serie	dimensions (mm)					
		Ø tube d1	dy	lg	lg2	l2	w
34.139.06L	L	6	4	38.0	19.0	12.0	12
34.139.08L	L	8	6	42.0	21.0	14.0	14
34.139.10L	L	10	8	44.0	22.0	15.0	17
34.139.12L	L	12	10	48.0	24.0	17.0	19
34.139.15L	L	15	12	56.0	28.0	21.0	19
34.139.18L	L	18	15	62.0	31.0	23.5	24
34.139.22L	L	22	19	70.0	35.0	27.5	27
34.139.28L	L	28	24	76.0	38.0	30.5	36
34.139.35L	L	35	30	90.0	45.0	34.5	41
34.139.42L	L	42	36	102.0	51.0	40.0	50
34.139.06S	S	6	4	46.0	23.0	16.0	14
34.139.08S	S	8	5	48.0	24.0	17.0	17
34.139.10S	S	10	7	50.0	25.0	17.5	19
34.139.12S	S	12	8	58.0	29.0	21.5	22
34.139.14S	S	14	10	60.0	30.0	22.0	19
34.139.16S	S	16	12	66.0	33.0	24.5	24
34.139.20S	S	20	16	74.0	37.0	26.5	27
34.139.25S	S	25	20	84.0	42.0	30.0	36
34.139.30S	S	30	25	98.0	49.0	35.5	41
34.139.38S	S	38	32	114.0	57.0	41.0	50

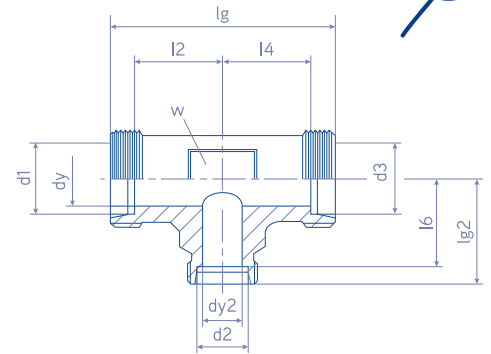
**MATERIAL:** Carbon Steel  
**FINISH:** : Chromium-(VI) Free plating

**COMPLETE:** With Double Edge Compression Ring and Tightening Nut (add an 'P' at the begin of REFERENCE)

**VERSIONS:** Stainless Steel (add an 'S' at the end of the REFERENCE)



# Tee Reducing Union Tube Connector



34.145.  
ISO 8434-1 tube coupling

REFERENCE	serie	dimensions (mm)										
		Ø tube d1	Ø tube d1	Ø tube d1	dy	dy2	lg	lg2	l2	l4	l6	w
34.145.0806L	L	6	8	6	4.0	6.0	42.0	21.0	14.0	14.0	14.0	14
34.145.1006L	L	6	10	6	4.0	8.0	44.0	22.0	15.0	15.0	15.0	17
34.145.0608L	L	8	6	8	6.0	4.0	42.0	21.0	14.0	14.0	14.0	14
34.145.1008L	L	8	10	8	6.0	8.0	44.0	22.0	15.0	15.0	15.0	17
34.145.1208L	L	8	12	8	6.0	10.0	48.0	24.0	17.0	17.0	17.0	19
34.145.0610L	L	10	6	10	8.0	4.0	44.0	22.0	15.0	15.0	15.0	17
34.145.0810L	L	10	8	10	8.0	6.0	44.0	22.0	15.0	15.0	15.0	17
34.145.1210L	L	10	12	10	8.0	10.0	48.0	24.0	17.0	17.0	17.0	19
34.145.1510L	L	10	15	10	8.0	11.0	56.0	28.0	21.0	21.0	21.0	19
34.145.0612L	L	12	6	12	10.0	4.0	48.0	24.0	17.0	17.0	17.0	19
34.145.0812L	L	12	8	12	10.0	6.0	48.0	24.0	17.0	17.0	17.0	19
34.145.1012L	L	12	10	12	10.0	8.0	48.0	24.0	17.0	17.0	17.0	19
34.145.1512L	L	12	15	12	10.0	12.0	56.0	28.0	21.0	21.0	21.0	19
34.145.1812L	L	12	18	12	10.0	15.0	62.0	31.0	24.0	24.0	24.0	24
34.145.2212L	L	12	22	12	10.0	19.0	70.0	35.0	28.0	28.0	28.0	27
34.145.1015L	L	15	10	15	12.0	8.0	56.0	28.0	21.0	21.0	21.0	19
34.145.1215L	L	15	12	15	12.0	10.0	56.0	28.0	21.0	21.0	21.0	19
34.145.1815L	L	15	18	15	12.0	15.0	62.0	31.0	24.0	24.0	24.0	24
34.145.2215L	L	15	22	15	12.0	19.0	70.0	35.0	28.0	28.0	27.5	27
34.145.1018L	L	18	10	18	15.0	8.0	62.0	31.0	23.5	23.5	24.0	24
34.145.1218L	L	18	12	18	15.0	10.0	62.0	31.0	23.5	23.5	24.0	24
34.145.1518L	L	18	15	18	15.0	12.0	62.0	31.0	23.5	23.5	24.0	24
34.145.2218L	L	18	22	18	15.0	19.0	70.0	35.0	27.5	27.5	27.5	27
34.145.1222L	L	22	12	22	19.0	10.0	70.0	35.0	27.5	27.5	28.0	27
34.145.1522L	L	22	15	22	19.0	12.0	70.0	35.0	27.5	27.5	28.0	27
34.145.1822L	L	22	18	22	19.0	15.0	70.0	35.0	27.5	27.5	27.5	27
34.145.2822L	L	22	28	22	19.0	24.0	76.0	38.0	30.5	30.5	30.5	36
34.145.1528L	L	28	15	28	24.0	12.0	76.0	38.0	30.5	30.5	31.0	36
34.145.1828L	L	28	18	28	24.0	15.0	76.0	38.0	30.5	30.5	30.5	36
34.145.2228L	L	28	22	28	24.0	19.0	76.0	38.0	30.5	30.5	30.5	36



REFERENCE	serie	dimensions (mm)										
		Ø tube d1	Ø tube d1	Ø tube d1	dy	dy2	lg	lg2	l2	l4	l6	w
34.145.3528L	L	28	35	28	24.0	30.0	90.0	45.0	37.5	37.5	34.5	41
34.145.4228L	L	28	42	28	24.0	36.0	102.0	51.0	43.5	43.5	40.0	50
34.145.3835L	L	35	28	35	30.0	24.0	90.0	45.0	34.5	34.5	37.5	41
34.145.4235L	L	35	42	35	30.0	36.0	102.0	51.0	40.5	40.5	40.0	50
34.145.2242L	L	42	22	42	36.0	19.0	102.0	51.0	40.0	40.0	43.5	50
34.145.2842L	L	42	28	42	36.0	24.0	102.0	51.0	40.0	40.0	43.5	50
34.145.0610S	S	10	6	10	7.0	4.0	50.0	25.0	17.5	17.5	18.0	19
34.145.0812S	S	12	8	12	8.0	5.0	58.0	29.0	21.5	21.5	22.0	22
34.145.1012S	S	12	10	12	8.0	7.0	58.0	19.0	21.5	21.5	21.5	22
34.145.1612S	S	12	16	12	8.0	12.0	66.0	33.0	24.5	24.5	24.5	24
34.145.0816S	S	16	8	16	12.0	5.0	66.0	33.0	24.5	24.5	26.0	24
34.145.1016S	S	16	10	16	12.0	7.0	66.0	33.0	24.5	24.5	25.5	24
34.145.1216S	S	16	12	16	12.0	8.0	66.0	33.0	24.5	24.5	25.5	24
34.145.2016S	S	16	20	16	12.0	16.0	74.0	37.0	28.5	28.5	26.5	27
34.145.1020S	S	20	10	20	16.0	7.0	74.0	37.0	26.5	26.5	29.5	27
34.145.1220S	S	20	12	20	16.0	8.0	74.0	37.0	26.5	26.5	29.5	27
34.145.1620S	S	20	16	20	16.0	12.0	74.0	37.0	26.5	26.5	28.5	27
34.145.2520S	S	20	25	20	16.0	20.0	84.0	42.0	31.5	31.5	30.0	36
34.145.1225S	S	25	12	25	20.0	8.0	84.0	42.0	30.0	30.0	34.5	36
34.145.1625S	S	25	16	25	20.0	12.0	84.0	42.0	30.0	30.0	33.5	36
34.145.1825S	S	25	18	25	20.0	15.0	84.0	42.0	30.0	30.0	34.5	36
34.145.2025S	S	25	20	25	20.0	16.0	84.0	42.0	30.0	30.0	31.5	36
34.145.3025S	S	25	30	25	20.0	25.0	98.0	49.0	37.0	37.0	35.5	41
34.145.1630S	S	30	16	30	25.0	12.0	98.0	49.0	35.5	35.5	40.5	41
34.145.2030S	S	30	20	30	25.0	16.0	98.0	49.0	35.5	35.5	38.5	41
34.145.1638S	S	38	16	38	32.0	12.0	114.0	57.0	41.0	41.0	48.5	50
34.145.2538S	S	38	25	38	32.0	20.0	114.0	57.0	41.0	41.0	45.0	50

**MATERIAL:** Carbon Steel  
**FINISH:** Chromium-(VI) Free plating

**COMPLETE:** With Double Edge Compression Ring and Tightening Nut (add an 'P' at the begin of REFERENCE)

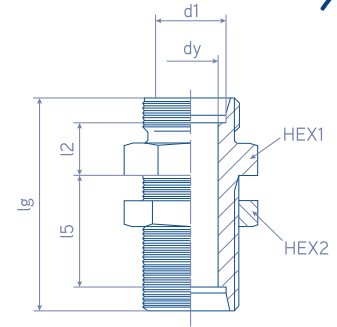
**VERSIONS:** Stainless Steel (add an 'S' at the end of the REFERENCE)



# Straight Bulkhead Union Tube Connector

34.136.

ISO 8434-1 tube coupling



REFERENCE	serie	dimensions (mm)						
		Ø tube d1	dy	lg	l2	l5	HEX 1	HEX 2
34.136.06L M12	L	6	4	48.0	7.0	27.0	17	17
34.136.08L M14	L	8	6	49.0	8.0	27.0	19	19
34.136.10L M16	L	10	8	52.0	10.0	28.0	22	22
34.136.12L M18	L	12	10	53.0	10.0	29.0	24	24
34.136.15L M22	L	15	12	57.0	12.0	31.0	27	27
34.136.18L M26	L	18	15	61.0	13.5	32.5	32	32
34.136.22L M30	L	22	19	66.0	16.5	34.5	36	36
34.136.28L M36	L	28	24	69.0	18.5	35.5	41	41
34.136.35L M45	L	35	30	76.0	18.5	36.5	50	50
34.136.42L M52	L	42	36	77.0	19.0	36.0	60	60
34.136.06S M14	S	6	4	55.0	12.0	29.0	19	19
34.136.08S M16	S	8	5	56.0	13.0	29.0	22	22
34.136.10S M18	S	10	7	59.0	14.5	29.5	24	24
34.136.12S M20	S	12	8	60.0	14.5	30.5	27	27
34.136.14S M22	S	14	10	65.0	17.0	32.0	30	30
34.136.16S M24	S	16	12	65.0	16.5	31.5	32	32
34.136.20S M30	S	20	16	72.0	17.5	33.5	41	41
34.136.25S M36	S	25	20	79.0	20.0	35.0	46	46
34.136.30S M42	S	30	25	86.0	21.5	37.5	50	50
34.136.38S M52	S	38	32	91.0	22.0	37.0	65	65

**MATERIAL:** Carbon Steel  
**FINISH:** Chromium-(VI) Free plating

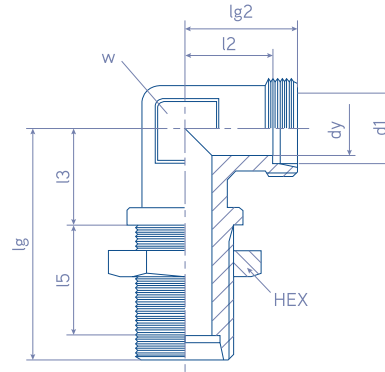
**COMPLETE:** With Double Edge Compression Ring and Tightening Nut (add an 'P' at the begin of REFERENCE)

**VERSIONS:** Stainless Steel (add an 'S' at the end of the REFERENCE)

# 90° Elbow Bulkhead Union Tube Connector

34.137.

ISO 8434-1 tube coupling



REFERENCE	serie	dimensions (mm)								
		∅ tube d1	dy	lg	lg2	l2	l3	l5	W	HEX
34.137.06L	L	6	4	48.0	19.0	12.0	14.0	27.0	12	17
34.137.08L	L	8	6	51.0	21.0	14.0	17.0	27.0	12	19
34.137.10L	L	10	8	53.0	22.0	15.0	18.0	28.0	14	22
34.137.12L	L	12	10	56.0	24.0	17.0	20.0	29.0	17	24
34.137.15L	L	15	12	61.0	28.0	21.0	23.0	31.0	19	30
34.137.18L	L	18	15	64.0	31.0	23.5	24.0	32.5	24	36
34.137.22L	L	22	19	72.0	35.0	27.5	30.0	34.5	27	41
34.137.28L	L	28	24	77.0	38.0	30.5	34.0	35.5	36	46
34.137.35L	L	35	30	86.0	45.0	34.5	39.0	36.5	41	55
34.137.42L	L	42	36	90.0	51.0	40.0	43.0	36.0	50	65
34.137.06S	S	6	4	53.0	23.0	16.0	17.0	29.0	12	19
34.137.08S	S	8	5	54.0	24.0	17.0	18.0	29.0	14	22
34.137.10S	S	10	7	57.0	25.0	17.5	20.0	29.5	17	24
34.137.12S	S	12	8	59.0	29.0	21.5	21.0	30.5	17	27
34.137.14S	S	14	10	63.0	30.0	22.0	23.0	32.0	19	30
34.137.16S	S	16	12	64.0	33.0	24.5	24.0	31.5	24	32
34.137.20S	S	20	16	74.0	37.0	26.5	30.0	33.5	27	41
34.137.25S	S	25	20	81.0	42.0	30.0	34.0	35.0	36	46
34.137.30S	S	30	25	90.0	49.0	35.5	39.0	37.5	41	50
34.137.38S	S	38	32	96.0	57.0	41.0	43.0	37.0	50	65

**MATERIAL:** Carbon Steel  
**FINISH:** : Chromium-(VI) Free plating

**COMPLETE:** With Double Edge Compression Ring and Tightening Nut (add an 'P' at the begin of REFERENCE)

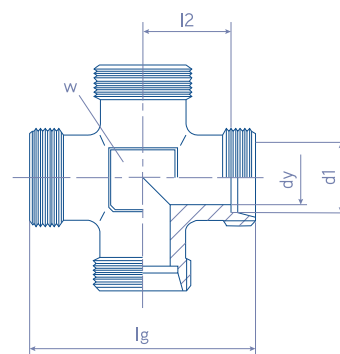
**VERSIONS:** Stainless Steel (add an 'S' at the end of the REFERENCE)



# Cross Union Tube Connector

34.140.

ISO 8434-1 tube coupling



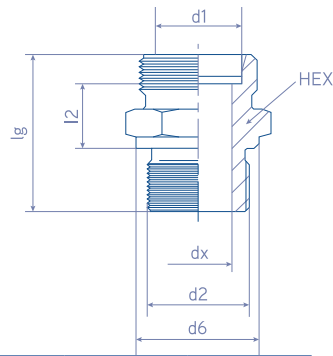
REFERENCE	serie	dimensions (mm)				
		Ø tube d1	dy	lg	l2	w
34.140.06L	L	6	4.0	38.0	12.0	12
34.140.08L	L	8	6.0	42.0	14.0	12
34.140.10L	L	10	8.0	44.0	15.0	14
34.140.12L	L	12	10.0	48.0	17.0	17
34.140.15L	L	15	12.0	56.0	21.0	19
34.140.18L	L	18	15.0	62.0	23.5	24
34.140.22L	L	22	19.0	70.0	27.5	27
34.140.28L	L	28	24.0	76.0	30.5	36
34.140.35L	L	35	30.0	90.0	34.5	41
34.140.42L	L	42	36.0	102.0	40.0	50
34.140.06S	S	6	4.0	46.0	16.0	12
34.140.08S	S	8	5.0	48.0	17.0	14
34.140.10S	S	10	7.0	50.0	17.5	17
34.140.12S	S	12	8.0	58.0	21.5	17
34.140.14S	S	14	10.0	60.0	22.0	19
34.140.16S	S	16	12.0	66.0	24.5	24
34.140.20S	S	20	16.0	74.0	26.5	27
34.140.25S	S	25	20.0	84.0	30.0	36
34.140.30S	S	30	25.0	98.0	35.5	41
34.140.38S	S	38	32.0	114.0	41.0	50

**MATERIAL:** Carbon Steel  
**FINISH:** : Chromium-(VI) Free plating

**COMPLETE:** With Double Edge Compression Ring and Tightening Nut (add an 'P' at the begin of REFERENCE)

**VERSIONS:** Stainless Steel (add an 'S' at the end of the REFERENCE)

# BSP Parallel Male Tube Connector



34.103.

ISO 8434-1 tube coupling and DIN ISO 1179-4 Form-B BSP Thread

REFERENCE	serie	dimensions	dimensions	dimensions (mm)				
		(mm)	(inch)	d6	dx	lg	l2	HEX
		Ø tube d1	thread d2					
34.103.06LR02	L	6	1/8"	14	4	23.5	8.5	14
34.103.06LR04	L	6	1/4"	18	4	28.0	9.0	19
34.103.08LR02	L	8	1/8"	14	4	24.5	9.5	17
34.103.08LR04	L	8	1/4"	18	6	29.0	10.0	19
34.103.08LR06	L	8	3/8"	22	6	30.5	11.5	22
34.103.08LR08	L	8	1/2"	26	6	33.0	12.0	27
34.103.10LR02	L	10	1/8"	14	4	25.5	10.5	17
34.103.10LR04	L	10	1/4"	18	6	30.0	11.0	19
34.103.10LR06	L	10	3/8"	22	7	31.5	12.5	22
34.103.10LR08	L	10	1/2"	26	7	34.0	13.0	27
34.103.12LR04	L	12	1/4"	18	6	31.0	12.0	19
34.103.12LR06	L	12	3/8"	22	9	31.5	12.5	22
34.103.12LR08	L	12	1/2"	26	9	34.0	13.0	27
34.103.15LR06	L	15	3/8"	22	9	32.5	13.5	24
34.103.15LR08	L	15	1/2"	26	11	35.0	14.0	27
34.103.15LR12	L	15	3/4"	32	12	38.0	15.0	32
34.103.18LR08	L	18	1/2"	26	14	36.0	14.5	27
34.103.18LR12	L	18	3/4"	32	15	38.0	14.5	32
34.103.22LR08	L	22	1/2"	26	14	38.0	16.5	32
34.103.22LR12	L	22	3/4"	32	18	40.0	16.5	32
34.103.22LR16	L	22	1"	39	19	43.0	17.5	41
34.103.28LR12	L	28	3/4"	32	18	41.0	17.5	41
34.103.28LR16	L	28	1"	39	23	43.0	17.5	41
34.103.35LR16	L	35	1"	39	23	46.0	17.5	50
34.103.35LR20	L	35	1.1/4"	49	30	18.0	17.5	50
34.103.42LR20	L	42	1.1/4"	49	30	50.0	19.0	55
34.103.42LR24	L	42	1.1/2"	55	36	52.0	19.0	55
34.103.06SR04	S	6	1/4"	18	4	32.0	13.0	19
34.103.06SR06	S	6	3/8"	22	4	34.5	15.5	22



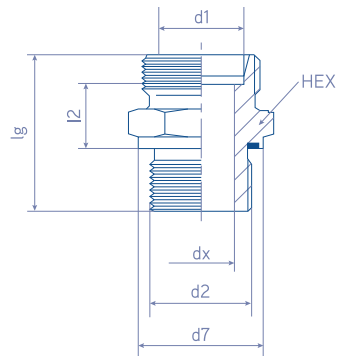
REFERENCE	serie	dimensions	dimensions	dimensions (mm)				
		(mm)	(inch)	d6	dx	lg	l2	HEX
		Ø tube d1	thread d2					
34.103.08SR04	S	8	1/4"	18	5	34.0	15.0	19
34.103.08SR06	S	8	3/8"	22	5	34.5	15.5	22
34.103.10SR04	S	10	1/4"	18	5	34.0	14.5	19
34.103.10SR06	S	10	3/8"	22	7	34.5	15.0	22
34.103.10SR08	S	10	1/2"	26	7	35.0	13.5	27
34.103.12SR04	S	12	1/4"	18	5	36.0	16.5	22
34.103.12SR06	S	12	3/8"	22	8	36.5	17.0	22
34.103.12SR08	S	12	1/2"	26	8	39.0	17.5	27
34.103.14SR06	S	14	3/8"	22	8	39.0	19.0	24
34.103.14SR08	S	14	1/2"	26	10	41.0	19.0	27
34.103.16SR06	S	16	3/8"	22	8	38.5	18.0	27
34.103.16SR08	S	16	1/2"	26	12	41.0	18.5	27
34.103.16SR12	S	16	3/4"	32	12	45.0	20.5	32
34.103.20SR08	S	20	1/2"	26	12	45.0	20.5	32
34.103.20SR12	S	20	3/4"	32	16	47.0	20.5	32
34.103.20SR16	S	20	1"	39	16	51.0	22.5	41
34.103.25SR12	S	25	3/4"	32	16	51.0	23.0	41
34.103.25SR16	S	25	1"	39	20	53.0	23.0	41
34.103.30SR16	S	30	1"	39	20	55.0	23.5	50
34.103.30SR20	S	30	1.1/4"	49	25	57.0	23.5	50
34.103.38SR20	S	38	1.1/4"	49	25	62.0	26.0	55
34.103.38SR24	S	38	1.1/2"	55	32	64.0	26.0	55

**MATERIAL:** Carbon Steel  
**FINISH:** : Chromium-(VI) Free plating

**COMPLETE:** With Double Edge Compression Ring and Tightening Nut (add an 'P' at the begin of REFERENCE)

**VERSIONS:** Stainless Steel (add an 'S' at the end of the REFERENCE)

# BSP Parallel Male Tube Connector with Elastomeric Seal



## 34.105.

ISO 8434-1 tube coupling and DIN ISO 1179-2 Form-E BSP Thread

REFERENCE	serie	dimensions (mm)	dimensions (inch)	dimensions (mm)				
		Ø tube d1	thread d2	d7	dx	lg	l2	HEX
34.105.06LR02	L	6	1/8"	13.9	4	23.5	8.5	14
34.105.06LR04	L	6	1/4"	18.9	4	28.0	9.0	19
34.105.06LR06	L	6	3/8"	21.9	4	30.5	11.5	22
34.105.08LR02	L	8	1/8"	13.9	4	24.5	9.5	17
34.105.08LR04	L	8	1/4"	18.9	6	29.0	10.0	19
34.105.08LR06	L	8	3/8"	21.9	6	30.5	11.5	22
34.105.08LR08	L	8	1/2"	26.9	6	33.0	12.0	27
34.105.10LR02	L	10	1/8"	13.9	4	25.5	10.5	17
34.105.10LR04	L	10	1/4"	18.9	6	30.0	11.0	19
34.105.10LR06	L	10	3/8"	21.9	7	31.5	12.5	22
34.105.10LR08	L	10	1/2"	26.9	7	34.0	13.0	27
34.105.12LR04	L	12	1/4"	18.9	6	31.0	12.0	19
34.105.12LR06	L	12	3/8"	21.9	9	31.5	12.5	22
34.105.12LR08	L	12	1/2"	26.9	9	34.0	13.0	27
34.105.15LR06	L	15	3/8"	21.9	9	32.5	13.5	24
34.105.15LR08	L	15	1/2"	26.9	11	35.0	14.0	27
34.105.15LR12	L	15	3/4"	31.9	12	38.0	15.0	32
34.105.18LR08	L	18	1/2"	26.9	14	36.0	14.5	27
34.105.18LR12	L	18	3/4"	31.9	15	38.0	14.5	32
34.105.22LR08	L	22	1/2"	26.9	14	38.0	16.5	32
34.105.22LR12	L	22	3/4"	31.9	18	40.0	16.5	32
34.105.22LR16	L	22	1"	39.9	19	43.0	17.5	41
34.105.28LR12	L	28	3/4"	31.9	18	41.0	17.5	41
34.105.28LR16	L	28	1"	39.9	23	43.0	17.5	41
34.105.35LR16	L	35	1"	39.9	23	46.0	17.5	50
34.105.35LR20	L	35	1.1/4"	49.9	30	18.0	17.5	50
34.105.42LR20	L	42	1.1/4"	49.9	30	50.0	19.0	55
34.105.42LR24	L	42	1.1/2"	54.9	36	52.0	19.0	55
34.105.06SR04	S	6	1/4"	18.9	4	32.0	13.0	19



REFERENCE	serie	dimensions	dimensions	dimensions (mm)				
		(mm)	(inch)	d7	dx	lg	l2	HEX
		Ø tube d1	thread d2					
34.105.06SR06	S	6	3/8"	21.9	4	34.5	15.5	22
34.105.08SR04	S	8	1/4"	18.9	5	34.0	15.0	19
34.105.08SR06	S	8	3/8"	21.9	5	34.5	15.5	22
34.105.10SR04	S	10	1/4"	18.9	5	34.0	14.5	19
34.105.10SR06	S	10	3/8"	21.9	7	34.5	15.0	22
34.105.10SR08	S	10	1/2"	26.9	7	35.0	13.5	27
34.105.12SR04	S	12	1/4"	18.9	5	36.0	16.5	22
34.105.12SR06	S	12	3/8"	21.9	8	36.5	17.0	22
34.105.12SR08	S	12	1/2"	26.9	8	39.0	17.5	27
34.105.14SR06	S	14	3/8"	21.9	8	39.0	19.0	24
34.105.14SR08	S	14	1/2"	26.9	10	41.0	19.0	27
34.105.16SR06	S	16	3/8"	21.8	8	38.5	18.0	27
34.105.16SR08	S	16	1/2"	26.9	12	41.0	18.5	27
34.105.16SR12	S	16	3/4"	31.9	12	45.0	20.5	32
34.105.20SR08	S	20	1/2"	26.9	12	45.0	20.5	32
34.105.20SR12	S	20	3/4"	31.9	16	47.0	20.5	32
34.105.20SR16	S	20	1"	39.9	16	51.0	22.5	41
34.105.25SR12	S	25	3/4"	31.9	16	51.0	23.0	41
34.105.25SR16	S	25	1"	39.9	20	53.0	23.0	41
34.105.30SR16	S	30	1"	39.9	20	55.0	23.5	50
34.105.30SR20	S	30	1 1/4"	49.9	25	57.0	23.5	50
34.105.38SR20	S	38	1 1/4"	49.9	25	62.0	26.0	55
34.105.38SR24	S	38	1 1/2"	54.9	32	64.0	26.0	55

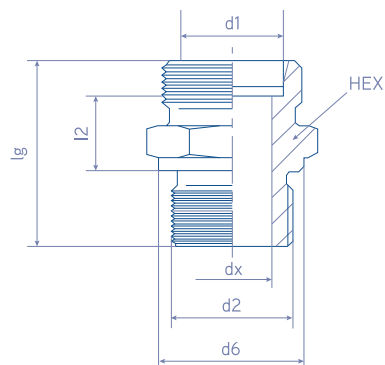
**MATERIAL:** Carbon Steel  
**FINISH:** : Chromium-(VI) Free plating

**COMPLETE:** With Double Edge Compression Ring and Tightening Nut (add an 'P' at the begin of REFERENCE)

**VERSIONS:** Stainless Steel (add an 'S' at the end of the REFERENCE)



# Metric Male Tube Connector



34.104.

ISO 8434-1 tube coupling and DIN 3852-1 Form-C Metric Thread

REFERENCE	serie	dimensions (mm)		dimensions (mm)				
		Ø tube d1	thread d2	d6	dx	lg	l2	HEX
34.104.06LM10	L	6	M10x1.0	14.0	4	23.5	8.5	14
34.104.08LM12	L	8	M12x1.5	17.0	6	29.0	10.0	17
34.104.08LM18	L	8	M18x1.5	23.0	6	30.5	11.5	24
34.104.10LM14	L	10	M14x1.5	19.0	7	30.0	11.0	19
34.104.10LM16	L	10	M16x1.5	21.0	7	31.5	12.5	22
34.104.10LM18	L	10	M18x1.5	23.0	7	31.5	12.5	24
34.104.10LM22	L	10	M22x1.5	27.0	8	35.0	14.0	27
34.104.12LM14	L	12	M14x1.5	19.0	7	31.5	12.5	19
34.104.12LM16	L	12	M16x1.5	21.0	9	31.5	12.5	22
34.104.12LM18	L	12	M18x1.5	23.0	9	31.5	12.5	24
34.104.12LM22	L	12	M22x1.5	27.0	10	35.0	14.0	27
34.104.15LM16	L	15	M16x1.5	21.0	9	32.0	13.0	24
34.104.15LM18	L	15	M18x1.5	23.0	11	32.5	13.5	24
34.104.15LM22	L	15	M22x1.5	27.0	12	36.0	15.0	27
34.104.18LM18	L	18	M18x1.5	23.0	11	33.5	14.0	27
34.104.18LM22	L	18	M22x1.5	27.0	14	36.0	14.5	27
34.104.22LM22	L	22	M22x1.5	27.0	14	38.0	16.5	32
34.104.22LM26	L	22	M26x1.5	31.0	18	40.0	16.5	32
34.104.28LM33	L	28	M33x2.0	39.0	23	43.0	17.5	41
34.104.35LM42	L	35	M42x2.0	49.0	30	48.0	17.5	50
34.104.42LM48	L	42	M48x2.0	55.0	36	52.0	19.0	55
34.104.06SM12	S	6	M12x1.5	17.0	4	32.0	13.0	17
34.104.08SM14	S	8	M14x1.5	19.0	5	34.0	15.0	19
34.104.10SM16	S	10	M16x1.5	21.0	7	34.5	15.0	22
34.104.12SM18	S	12	M18x1.5	23.0	8	36.5	17.0	24
34.104.12SM22	S	12	M22x1.5	27.0	8	39.0	17.5	27
34.104.14SM20	S	14	M20x1.5	25.0	10	41.0	19.0	27
34.104.16SM18	S	16	M18x1.5	23.0	8	38.5	18.0	24
34.104.16SM22	S	16	M22x1.5	27.0	12	41.0	18.5	27
34.104.20SM27	S	20	M27x2.0	32.0	16	47.0	20.5	32
34.104.25SM33	S	25	M33x2.0	39.0	20	53.0	23.0	41
34.104.30SM42	S	30	M42x2.0	49.0	25	57.0	23.5	50
34.104.38SM48	S	38	M48x2.0	55.0	32	64.0	26.0	55

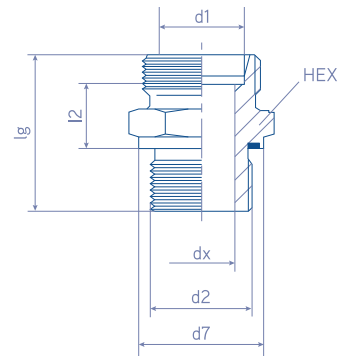
**MATERIAL:** Carbon Steel  
**FINISH:** : Chromium-(VI) Free plating

**COMPLETE:** With Double Edge Compression Ring and Tightening Nut (add an 'P' at the begin of REFERENCE)

**VERSIONS:** Stainless Steel (add an 'S' at the end of the REFERENCE)



# Metric Male Tube Connector with Elastomeric Seal



## 34.106.

ISO 8434-1 tube coupling and ISO 9974-2 Form-E Metric Thread

REFERENCE	serie	dimensions	dimensions	dimensions (mm)				
		(mm)	(mm)	d7	dx	lg	l2	HEX
		Ø tube d1	thread d2					
34.106.06LM10	L	6	M10x1.0	13.9	4	23.5	8.5	14
34.106.08LM12	L	8	M12x1.5	16.9	6	29.0	10.0	17
34.106.08LM18	L	8	M18x1.5	23.9	6	30.5	11.5	24
34.106.10LM14	L	10	M14x1.5	18.9	7	30.0	11.0	19
34.106.10LM16	L	10	M16x1.5	21.9	7	31.5	12.5	22
34.106.10LM18	L	10	M18x1.5	23.9	7	31.5	12.5	24
34.106.10LM22	L	10	M22x1.5	26.9	8	35.0	14.0	27
34.106.12LM14	L	12	M14x1.5	18.9	7	31.5	12.5	19
34.106.12LM16	L	12	M16x1.5	21.9	9	31.5	12.5	22
34.106.12LM18	L	12	M18x1.5	23.9	9	31.5	12.5	24
34.106.12LM22	L	12	M22x1.5	26.9	10	35.0	14.0	27
34.106.15LM16	L	15	M16x1.5	21.9	9	32.0	13.0	24
34.106.15LM18	L	15	M18x1.5	23.9	11	32.5	13.5	24
34.106.15LM22	L	15	M22x1.5	26.9	12	36.0	15.0	27
34.106.18LM18	L	18	M18x1.5	23.9	11	33.5	14.0	27
34.106.18LM22	L	18	M22x1.5	26.9	14	36.0	14.5	27
34.106.22LM22	L	22	M22x1.5	26.9	14	38.0	16.5	32
34.106.22LM26	L	22	M26x1.5	31.9	18	40.0	16.5	32
34.106.28LM33	L	28	M33x2.0	39.9	23	43.0	17.5	41
34.106.35LM42	L	35	M42x2.0	49.9	30	48.0	17.5	50
34.106.42LM48	L	42	M48x2.0	54.9	36	52.0	19.0	55
34.106.06SM12	S	6	M12x1.5	16.9	4	32.0	13.0	17
34.106.08SM14	S	8	M14x1.5	18.9	5	34.0	15.0	19
34.106.10SM16	S	10	M16x1.5	21.9	7	34.5	15.0	22
34.106.12SM18	S	12	M18x1.5	23.9	8	36.5	17.0	24
34.106.12SM22	S	12	M22x1.5	26.9	8	39.0	17.5	27
34.106.14SM20	S	14	M20x1.5	25.9	10	41.0	19.0	27
34.106.16SM18	S	16	M18x1.5	23.9	8	38.5	18.0	24
34.106.16SM22	S	16	M22x1.5	26.9	12	41.0	18.5	27
34.106.20SM27	S	20	M27x2.0	31.9	16	47.0	20.5	32
34.106.25SM33	S	25	M33x2.0	39.9	20	53.0	23.0	41
34.106.30SM42	S	30	M42x2.0	49.9	25	57.0	23.5	50
34.106.38SM48	S	38	M48x2.0	54.9	32	64.0	26.0	55

**MATERIAL:** Carbon Steel  
**FINISH:** : Chromium-(VI) Free plating

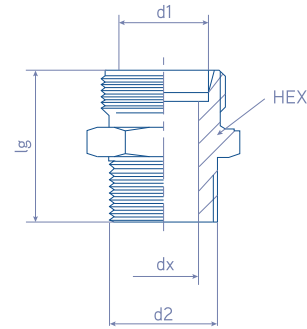
**COMPLETE:** With Double Edge Compression Ring and Tightening Nut (add an 'P' at the begin of REFERENCE)

**VERSIONS:** Stainless Steel (add an 'S' at the end of the REFERENCE)

# BSPT Tapered Male Tube Connector

34.117.

ISO 8434-1 tube coupling and DIN 3852-2 Form-C BSPT Thread



REFERENCE	serie	dimensions (mm)	dimensions (inch)	dimensions (mm)		
		$\varnothing$ tube d1	thread d2	dx	lg	HEX
34.117.06LR02	L	6	1/8"	4	22.0	14
34.117.06LR04	L	6	1/4"	4	26.0	14
34.117.08LR02	L	8	1/8"	4	23.0	14
34.117.08LR04	L	8	1/4"	6	27.0	17
34.117.08LR06	L	8	3/8"	6	28.0	19
34.117.08LR08	L	8	1/2"	6	30.0	24
34.117.10LR04	L	10	1/4"	7	28.0	17
34.117.10LR06	L	10	3/8"	8	28.0	19
34.117.10LR08	L	10	1/2"	8	31.0	24
34.117.12LR04	L	12	1/4"	7	29.0	19
34.117.12LR06	L	12	3/8"	9	29.0	19
34.117.12LR08	L	12	1/2"	9	31.0	24
34.117.15LR06	L	15	3/8"	11	30.0	24
34.117.15LR08	L	15	1/2"	11	32.0	24
34.117.18LR08	L	18	1/2"	14	33.0	27
34.117.18LR12	L	18	3/4"	14	35.0	30
34.117.22LR12	L	22	3/4"	18	37.0	32
34.117.28LR16	L	28	1"	23	40.0	41
34.117.06SR04	S	6	1/4"	4	30.0	17
34.117.08SR04	S	8	1/4"	5	32.0	17
34.117.10SR06	S	10	3/8"	7	32.0	19
34.117.12SR06	S	12	3/8"	8	34.0	22
34.117.14SR08	S	14	1/2"	10	38.0	27
34.117.16SR08	S	16	1/2"	12	38.0	27
34.117.20SR12	S	20	3/4"	16	44.0	32

**MATERIAL:** Carbon Steel  
**FINISH:** : Chromium-(VI) Free plating

**COMPLETE:** With Double Edge Compression Ring and Tightening Nut (add an 'P' at the begin of REFERENCE)

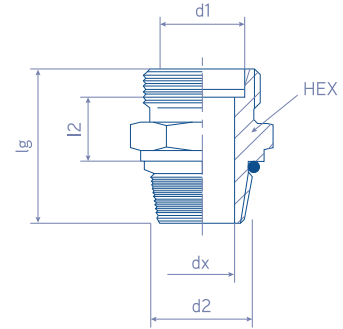
**VERSIONS:** Stainless Steel (add an 'S' at the end of the REFERENCE)



# NPTF Male Tube Connector

34.118.

ISO 8434-1 tube coupling and ANSI B1.20.3 NPTF Thread



REFERENCE	serie	dimensions (mm)		dimensions (mm)		
		Ø tube d1	thread d2	dx	lg	HEX
34.118.06LN02	L	6	1/8"	4	23.9	12
34.118.06LN04	L	6	1/4"	4	30.0	17
34.118.08LN02	L	8	1/8"	5	24.9	14
34.118.08LN04	L	8	1/4"	6	30.1	17
34.118.08LN06	L	8	3/8"	6	31.2	19
34.118.08LN08	L	8	1/2"	6	38.5	24
34.118.10LN02	L	10	1/8"	4	27.0	17
34.118.10LN04	L	10	1/4"	7	31.1	17
34.118.10LN06	L	10	3/8"	8	32.2	19
34.118.10LN08	L	10	1/2"	8	37.8	24
34.118.12LN04	L	12	1/4"	7	32.0	19
34.118.12LN06	L	12	3/8"	9	32.2	19
34.118.12LN08	L	12	1/2"	10	36.8	24
34.118.15LN06	L	15	3/8"	9	33.2	24
34.118.15LN08	L	15	1/2"	11	37.8	24
34.118.18LN08	L	18	1/2"	14	38.8	27
34.118.18LN12	L	18	3/4"	14	39.1	30
34.118.22LN08	L	22	1/2"	14	40.8	32
34.118.22LN12	L	22	3/4"	18	41.1	32
34.118.28LN16	L	28	1"	23	47.0	41
34.118.35LN20	L	35	1.1/4"	30	50.6	46
34.118.42LN24	L	42	1.1/2"	36	53.0	55
34.118.06SN04	S	6	1/4"	4	33.1	17
34.118.08SN04	S	8	1/4"	5	35.1	17
34.118.08SN06	S	8	3/8"	5	35.0	19

REFERENCE	serie	dimensions (mm)		dimensions (mm)		
		Ø tube d1	thread d2	dx	lg	HEX
34.118.10SN04	S	10	1/4"	5	35.1	19
34.118.10SN06	S	10	3/8"	7	35.2	19
34.118.10SN08	S	10	1/2"	7	41.8	24
34.118.12SN04	S	12	1/4"	5	37.1	22
34.118.12SN06	S	12	3/8"	8	37.2	22
34.118.12SN08	S	12	1/2"	8	41.8	24
34.118.14SN06	S	14	3/8"	8	39.0	24
34.118.14SN08	S	14	1/2"	10	43.8	27
34.118.16SN06	S	16	3/8"	8	39.2	27
34.118.16SN08	S	16	1/2"	12	43.8	27
34.118.16SN12	S	16	3/4"	12	44.0	30
34.118.20SN08	S	20	1/2"	14	47.8	32
34.118.20SN12	S	20	3/4"	16	48.1	32
34.118.20SN16	S	20	1"	16	55.0	36
34.118.25SN12	S	25	3/4"	18	52.1	41
34.118.25SN16	S	25	1"	20	57.0	41
34.118.30SN16	S	30	1"	22	59.0	46
34.118.30SN20	S	30	1.1/4"	25	59.6	46
34.118.38SN24	S	38	1.1/2"	32	65.0	55

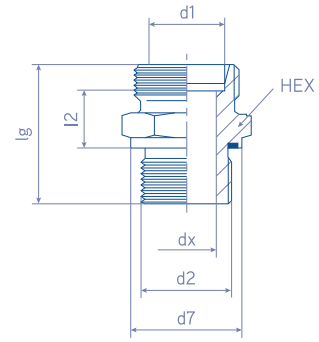
**MATERIAL:** Carbon Steel  
**FINISH:** : Chromium-(VI) Free plating

**COMPLETE:** With Double Edge Compression Ring and Tightening Nut (add an 'P' at the begin of REFERENCE)

**VERSIONS:** Stainless Steel (add an 'S' at the end of the REFERENCE)



# UNF Male Tube Connector



34.161.

ISO 8434-1 tube coupling and ISO 11926-2/3 Form-F UNF Thread

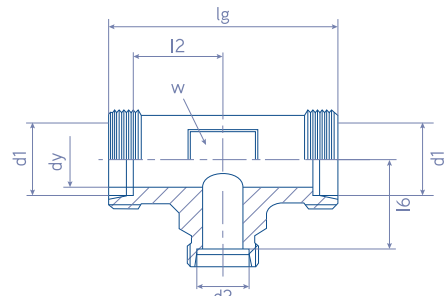
REFERENCE	serie	dimensions	dimensions	dimensions (mm)				
		(mm)	(UNF)	d7	dx	lg	l2	HEX
		Ø tube d1	thread d2					
34.161.06LU04	L	6	7/16"	15.8	4.0	25.2	9.0	17
34.161.08LU04	L	8	7/16"	15.8	5.0	26.2	10.0	17
34.161.10LU04	L	10	7/16"	15.8	5.0	28.2	12.0	17
34.161.10LU06	L	10	9/16"	17.7	7.0	28.0	11.0	19
34.161.12LU08	L	12	3/4"	23.0	9.0	30.7	12.5	24
34.161.12LU10	L	12	7/8"	27.0	10.0	32.7	13.0	27
34.161.15LU08	L	15	3/4"	23.0	11.0	32.2	14.0	24
34.161.15LU10	L	15	7/8"	27.0	11.0	33.7	14.0	27
34.161.18LU08	L	18	3/4"	23.0	12.0	33.2	14.5	27
34.161.18LU10	L	18	7/8"	27.0	14.0	34.7	14.5	27
34.161.22LU12	L	22	1 1/16"	32.0	18.0	39.0	16.5	32
34.161.22LU16	L	22	1 5/16"	38.1	18.0	39.0	16.5	41
34.161.28LU12	L	28	1 1/16"	32.0	18.0	40.0	17.5	41
34.161.28LU16	L	28	1 5/16"	38.1	23.0	40.0	17.4	41
34.161.35LU16	L	35	1 5/16"	39.0	23.0	43.0	17.5	46
34.161.35LU20	L	35	1 5/8"	48.0	30.0	43.0	17.5	50
34.161.42LU24	L	42	1 7/8"	54.0	36.0	45.0	19.0	55
34.161.06SU04	S	6	7/16"	15.8	4.0	29.2	13.0	17
34.161.08SU04	S	8	7/16"	15.8	4.0	31.2	15.0	17
34.161.10SU06	S	10	9/16"	17.7	7.0	32.5	15.0	19
34.161.10SU08	S	10	3/4"	23.0	7.0	33.7	15.0	24
34.161.12SU06	S	12	9/16"	17.7	7.0	34.5	17.5	22
34.161.12SU08	S	12	3/4"	23.0	8.0	36.2	17.5	24
34.161.14SU08	S	14	3/4"	23.0	10.0	38.2	19.0	24
34.161.16SU08	S	16	3/4"	23.0	12.0	38.2	18.5	27
34.161.16SU10	S	16	7/8"	27.0	12.0	37.5	15.0	30
34.161.16SU12	S	16	1 1/16"	32.0	12.0	42.0	18.5	32
34.161.20SU10	S	20	7/8"	27.0	12.0	43.7	20.5	32
34.161.20SU12	S	20	1 1/16"	32.0	16.0	46.0	20.5	32
34.161.25SU12	S	25	1 1/16"	32.0	16.0	50.0	23.0	41
34.161.25SU16	S	25	1 5/16"	38.1	20.0	50.0	23.0	41
34.161.30SU16	S	30	1 5/16"	32.0	16.0	52.0	23.5	46
34.161.30SU20	S	30	1 5/8"	48.0	25.0	52.0	23.5	50
34.161.38SU24	S	38	1 7/8"	54.0	32.0	57.0	26.0	55

**MATERIAL:** Carbon Steel  
**FINISH:** : Chromium-(VI) Free plating

**COMPLETE:** With Double Edge Compression Ring and Tightening Nut (add an 'P' at the begin of REFERENCE)

**VERSIONS:** Stainless Steel (add an 'S' at the end of the REFERENCE)

# Tee Reducer Tube Connector



34.153.  
ISO 8434-1 tube coupling

REFERENCE	serie	dimensions (mm)						
		$\emptyset$ tube $d_1$	$\emptyset$ tube $d_1$	$d_y$	$lg$	12	16	w
34.153.0806L	L	6	8	4.0	33.0	26.0	12	17
34.153.1006L	L	6	10	4.0	34.0	27.0	12	19
34.153.1008L	L	8	10	6.0	35.0	28.0	14	19
34.153.1206L	L	6	12	4.0	37.0	30.0	14	22
34.153.1208L	L	8	12	6.0	37.0	30.0	14	22
34.153.1210L	L	10	12	8.0	38.0	31.0	17	22
34.153.1506L	L	6	15	4.0	38.0	31.0	17	27
34.153.1508L	L	8	15	6.0	38.0	31.0	17	27
34.153.1510L	L	10	15	8.0	39.0	32.0	17	27
34.153.1512L	L	12	15	10.0	40.0	33.0	19	27
34.153.1806L	L	6	18	4.0	37.5	30.5	19	32
34.153.1808L	L	8	18	6.0	37.5	30.5	19	32
34.153.1810L	L	10	18	8.0	38.5	31.5	19	32
34.153.1812L	L	12	18	10.0	38.5	31.5	19	32
34.153.1815L	L	15	18	12.0	39.5	32.5	24	32
34.153.2206L	L	6	22	4.0	41.0	34.0	24	36
34.153.2208L	L	8	22	6.0	38.5	31.5	24	36
34.153.2210L	L	10	22	8.0	39.5	32.5	24	36
34.153.2212L	L	12	22	10.0	39.5	32.5	24	36
34.153.2215L	L	15	22	12.0	40.5	33.5	24	36
34.153.2218L	L	18	22	15.0	41.5	34.0	27	36
34.153.2806L	L	6	28	4.0	42.0	35.0	30	41
34.153.2808L	L	8	28	6.0	42.0	35.0	30	41
34.153.2810L	L	10	28	8.0	41.0	34.0	30	41
34.153.2812L	L	12	28	10.0	41.0	34.0	30	41
34.153.2815L	L	15	28	12.0	42.0	35.0	30	41
34.153.2818L	L	18	28	15.0	43.0	35.5	30	41
34.153.2822L	L	22	28	19.0	45.0	37.5	32	41
34.153.3508L	L	8	35	6.0	48.0	41.0	36	50
34.153.3510L	L	10	35	8.0	49.0	42.0	36	50
34.153.3512L	L	12	35	10.0	47.5	40.5	36	50
34.153.3515L	L	15	35	12.0	48.5	41.5	36	50
34.153.3518L	L	18	35	15.0	49.5	42.0	36	50
34.153.3522L	L	22	35	19.0	51.5	44.0	36	50
34.153.3528L	L	28	35	24.0	52.5	45.0	41	50
34.153.4210L	L	10	42	8.0	51.0	44.0	46	60
34.153.4212L	L	12	42	10.0	51.0	44.0	46	60
34.153.4215L	L	15	42	12.0	52.0	45.0	46	60



REFERENCE	serie	dimensions (mm)						
		Ø tube d1	Ø tube d1	dy	lg	l2	l6	w
34.153.4218L	L	18	42	15.0	52.0	44.5	46	60
34.153.4222L	L	22	42	19.0	54.0	46.5	46	60
34.153.4228L	L	28	42	24.0	55.0	47.5	46	60
34.153.4235L	L	35	42	30.0	58.0	47.5	46	60
34.153.0806S	S	6	8	4.0	37.0	30.0	14	19
34.153.1006S	S	6	10	4.0	39.0	32.0	14	22
34.153.1008S	S	8	10	5.0	41.0	34.0	17	22
34.153.1206S	S	6	12	4.0	39.0	32.0	17	24
34.153.1208S	S	8	12	5.0	41.0	34.0	17	24
34.153.1210S	S	10	12	7.0	41.0	33.5	19	24
34.153.1406S	S	6	14	4.0	42.0	35.0	17	27
34.153.1408S	S	8	14	5.0	44.0	37.0	17	27
34.153.1410S	S	10	14	7.0	44.0	36.5	19	27
34.153.1412S	S	12	14	8.0	46.0	38.5	22	27
34.153.1608S	S	8	16	5.0	44.0	37.0	17	30
34.153.1610S	S	10	16	7.0	44.0	36.5	19	30
34.153.1612S	S	12	16	8.0	46.0	38.5	22	30
34.153.1614S	S	14	16	10.0	48.0	40.0	24	30
34.153.2006S	S	6	20	4.0	47.0	40.0	22	36
34.153.4212L	L	12	42	10.0	51.0	44.0	46	60
34.153.4215L	L	15	42	12.0	52.0	45.0	46	60
34.153.4218L	L	18	42	15.0	52.0	44.5	46	60
34.153.4222L	L	22	42	19.0	54.0	46.5	46	60
34.153.4228L	L	28	42	24.0	55.0	47.5	46	60
34.153.4235L	L	35	42	30.0	58.0	47.5	46	60
34.153.0806S	S	6	8	4.0	37.0	30.0	14	19
34.153.1006S	S	6	10	4.0	39.0	32.0	14	22
34.153.1008S	S	8	10	5.0	41.0	34.0	17	22
34.153.1206S	S	6	12	4.0	39.0	32.0	17	24
34.153.1208S	S	8	12	5.0	41.0	34.0	17	24
34.153.1210S	S	10	12	7.0	41.0	33.5	19	24
34.153.1406S	S	6	14	4.0	42.0	35.0	17	27
34.153.1408S	S	8	14	5.0	44.0	37.0	17	27
34.153.1410S	S	10	14	7.0	44.0	36.5	19	27
34.153.1412S	S	12	14	8.0	46.0	38.5	22	27
34.153.1608S	S	8	16	5.0	44.0	37.0	17	30
34.153.1610S	S	10	16	7.0	44.0	36.5	19	30
34.153.1612S	S	12	16	8.0	46.0	38.5	22	30
34.153.1614S	S	14	16	10.0	48.0	40.0	24	30
34.153.2006S	S	6	20	4.0	47.0	40.0	22	36
34.153.1612S	S	12	16	8.0	46.0	38.5	22	30
34.153.1614S	S	14	16	10.0	48.0	40.0	24	30
34.153.2006S	S	6	20	4.0	47.0	40.0	22	36

**MATERIAL:** Carbon Steel  
**FINISH:** : Chromium-(VI) Free plating

**COMPLETE:** With Double Edge Compression Ring and Tightening Nut (add an 'P' at the begin of REFERENCE)

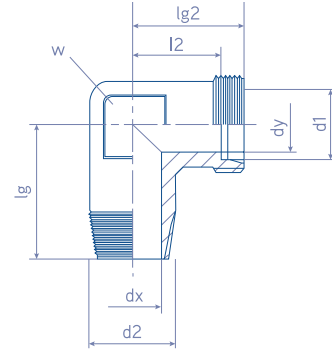
**VERSIONS:** Stainless Steel (add an 'S' at the end of the REFERENCE)



# BSPT Tapered 90° Elbow Male Tube Connector

34.120.

ISO 8434-1 tube coupling and DIN 3852-2 Form-C BSPT Thread



REFERENCE	serie	dimensions (mm)	dimensions (inch)	dimensions (mm)					
		Ø tube d1	thread d2	dx	dy	lg	lg2	l2	w
34.120.06LR02	L	6	1/8"	4	4	20.0	19.0	12.0	12
34.120.06LR04	L	6	1/4"	7	4	26.0	14.0	14.0	14
34.120.08LR02	L	8	1/8"	4	6	26.0	21.0	14.0	14
34.120.08LR04	L	8	1/4"	6	6	26.0	21.0	14.0	14
34.120.08LR06	L	8	3/8"	8	6	28.0	22.0	15.0	19
34.120.10LR02	L	10	1/8"	4	7	25.0	22.0	15.0	17
34.120.10LR04	L	10	1/4"	7	8	27.0	22.0	15.0	17
34.120.10LR06	L	10	3/8"	7	7	28.0	23.0	16.0	19
34.120.10LR08	L	10	1/2"	11	7	34.0	27.0	20.0	19
34.120.12LR04	L	12	1/4"	7	9	28.0	24.0	17.0	19
34.120.12LR06	L	12	3/8"	9	10	28.0	24.0	17.0	19
34.120.12LR08	L	12	1/2"	11	9	34.0	27.0	20.0	19
34.120.15LR06	L	15	3/8"	9	11	32.0	28.0	21.0	19
34.120.15LR08	L	15	1/2"	11	12	34.0	28.0	21.0	19
34.120.18LR08	L	18	1/2"	14	15	36.0	31.0	23.5	24
34.120.18LR12	L	18	3/4"	18	15	42.0	35.0	27.5	27
34.120.22LR12	L	22	3/4"	18	19	42.0	27.5	27.5	27
34.120.06SR04	S	6	1/4"	4	4	26.0	23.0	16.0	14
34.120.08SR04	S	8	1/4"	5	5	17.0	24.0	17.0	17
34.120.10SR06	S	10	3/8"	7	7	28.0	25.0	17.5	19
34.120.12SR06	S	12	3/8"	8	8	28.0	29.0	21.5	22
34.120.12SR08	S	12	1/2"	11	8	34.0	29.0	21.5	19
34.120.14SR06	S	14	3/8"	8	10	30.0	30.0	22.0	19
34.120.14SR08	S	14	1/2"	10	10	32.0	30.0	22.0	19
34.120.16SR08	S	16	1/2"	12	12	32.0	33.0	24.5	24
34.120.20SR08	S	20	1/2"	12	16	40.0	37.0	26.5	27
34.120.20SR12	S	20	3/4"	16	16	42.0	37.0	26.5	27

**MATERIAL:** Carbon Steel  
**FINISH:** Chromium-(VI) Free plating

**COMPLETE:** With Double Edge Compression Ring and Tightening Nut (add an 'P' at the begin of REFERENCE)

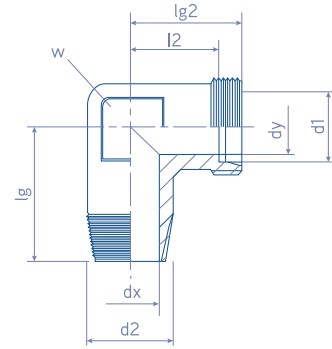
**VERSIONS:** Stainless Steel (add an 'S' at the end of the REFERENCE)



# NPTF Tapered 90° Elbow Male Tube Connector

34.121.

ISO 8434-1 tube coupling and ANSI B1.20.3 NPTF Thread



REFERENCE	serie	dimensions	dimensions	dimensions (mm)					
		(mm)	(inch)	dx	dy	lg	lg2	l2	w
		Ø tube d1	thread d2						
34.121.06LN02	L	6	1/8"	4	4	20.0	19.0	12.0	12
34.121.06LN04	L	6	1/4"	4	4	26.0	21.0	14.0	14
34.121.08LN04	L	8	1/4"	6	6	26.0	21.0	14.0	14
34.121.10LN04	L	10	1/4"	7	7	27.0	22.0	15.0	17
34.121.10LN06	L	10	3/8"	9	8	28.0	24.0	17.0	19
34.121.12LN04	L	12	1/4"	7	9	28.0	24.0	17.0	19
34.121.12LN06	L	12	3/8"	9	9	28.0	24.0	17.0	19
34.121.12LN08	L	12	1/2"	12	9	33.0	28.0	21.0	24
34.121.15LN08	L	15	1/2"	11	11	36.0	31.0	24.0	24
34.121.18LN08	L	18	1/2"	14	14	37.0	31.0	23.5	24
34.121.22LN12	L	22	3/4"	18	19	42.0	35.0	27.5	27
34.121.28LN16	L	28	1"	23	24	48.0	38.0	30.5	36
34.121.35LN20	L	35	1.1/4"	30	30	54.0	45.0	34.5	41
34.121.42LN24	L	42	1.1/2"	36	36	61.0	51.0	40.0	50
34.121.06SN04	S	6	1/4"	4	4	26.0	23.0	16.0	14
34.121.08SN04	S	8	1/4"	5	5	27.0	24.0	17.0	17
34.121.10SN06	S	10	3/8"	7	7	28.0	25.0	17.5	19
34.121.12SN06	S	12	3/8"	8	8	29.0	29.0	21.5	22
34.121.14SN08	S	14	1/2"	10	10	33.0	33.0	25.0	24
34.121.16SN08	S	16	1/2"	12	12	36.0	33.0	24.5	24
34.121.20SN12	S	20	3/4"	16	16	42.0	37.0	26.5	27
34.121.25SN16	S	25	1"	20	20	49.0	42.0	30.0	36
34.121.30SN20	S	30	1.1/4"	25	25	54.0	49.0	35.5	41
34.121.38SN24	S	38	1.1/2"	32	32	61.0	57.0	41.0	50

**MATERIAL:** Carbon Steel  
**FINISH:** : Chromium-(VI) Free plating

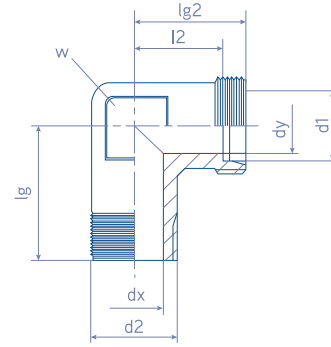
**COMPLETE:** With Double Edge Compression Ring and Tightening Nut (add an 'P' at the begin of REFERENCE)

**VERSIONS:** Stainless Steel (add an 'S' at the end of the REFERENCE)

# Metric 90° Elbow Male Tube Connector

34.124.

ISO 8434-1 tube coupling and DIN 3852-1 Form-C Metric Thread



REFERENCE	serie	dimensions (mm)	dimensions (inch)	dimensions (mm)					
		Ø tube d1	thread d2	dx	dy	lg	lg2	l2	w
34.124.06LM10	L	6	M10x1.0	4	4	20.0	19.0	12.0	12
34.124.08LM12	L	8	M12x1.5	6	6	26.0	21.0	14.0	14
34.124.10LM14	L	10	M14x1.5	7	8	27.0	22.0	15.0	17
34.124.12LM16	L	12	M16x1.5	9	10	28.0	24.0	17.0	19
34.124.12LM18	L	12	M18x1.5	11	12	32.0	28.0	21.0	19
34.124.15LM18	L	15	M18x1.5	14	15	36.0	31.0	23.5	24
34.124.06SM12	S	6	M12x1.5	4	4	26.0	23.0	16.0	14
34.124.08SM14	S	8	M14x1.5	5	5	27.0	24.0	17.0	17
34.124.10SM16	S	10	M16x1.5	7	7	28.0	25.0	17.5	19
34.124.12SM18	S	12	M18x1.5	8	8	28.0	29.0	21.5	22
34.124.14SM20	S	14	M20x1.5	10	10	32.0	30.0	22.0	19
34.124.16SM22	S	16	M22x1.5	12	12	32.0	33.0	24.5	24

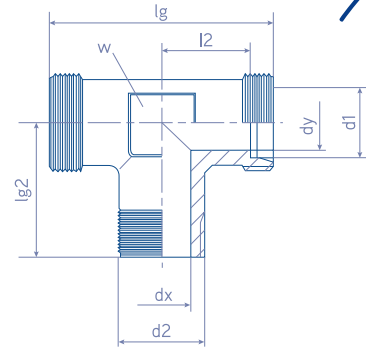
**MATERIAL:** Carbon Steel  
**FINISH:** Chromium-(VI) Free plating

**COMPLETE:** With Double Edge Compression Ring and Tightening Nut (add an 'P' at the begin of REFERENCE)

**VERSIONS:** Stainless Steel (add an 'S' at the end of the REFERENCE)



# BSPT Male Tapered Branch Tee Tube Connector



34.125.

ISO 8434-1 tube coupling and DIN 3852-2 Form-C BSPT Thread

REFERENCE	serie	dimensions (mm)							
		Ø tube d1	d2	dx	dy	lg	lg2	l2	w
34.125.06LR02	L	6	1/8"	4.0	4.0	38.0	20.0	12.0	12
34.125.08LR04	L	8	1/4"	6.0	6.0	42.0	26.0	14.0	14
34.125.10LR04	L	10	1/4"	7.0	8.0	44.0	27.0	15.0	17
34.125.12LR04	L	12	1/4"	9.0	10.0	48.0	28.0	17.0	19
34.125.15LR08	L	15	1/2"	11.0	12.0	56.0	32.0	21.0	19
34.125.18LR08	L	18	1/2"	14.0	15.0	62.0	36.0	23.5	24
34.125.06SR04	S	6	1/4"	4.0	4.0	46.0	26.0	16.0	14
34.125.08SR04	S	8	1/4"	5.0	5.0	48.0	27.0	17.0	17
34.125.10SR06	S	10	3/8"	7.0	7.0	50.0	28.0	17.5	19
34.125.12SR06	S	12	3/8"	8.0	8.0	58.0	28.0	21.5	22
34.125.14SR08	S	14	1/2"	10.0	10.0	60.0	32.0	22.0	19
34.125.16SR08	S	16	1/2"	12.0	12.0	66.0	32.0	24.5	24

**MATERIAL:** Carbon Steel  
**FINISH:** : Chromium-(VI) Free plating

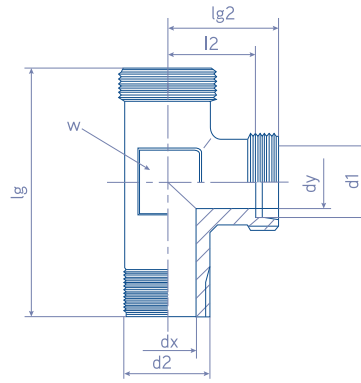
**COMPLETE:** With Double Edge Compression Ring and Tightening Nut (add an 'P' at the begin of REFERENCE)

**VERSIONS:** Stainless Steel (add an 'S' at the end of the REFERENCE)

# BSPT Male Tapered Run Tee Tube Connector

34.130.

ISO 8434-1 tube coupling and DIN 3852-2 Form-C BSPT Thread



REFERENCE	serie	dimensions (mm)							
		Ø tube d1	d2	dx	dy	lg	lg2	l2	w
34.130.06LR02	L	6	1/8"	4.0	4.0	39.0	19.0	12.0	12
34.130.08LR04	L	8	1/4"	6.0	6.0	47.0	21.0	14.0	14
34.130.10LR04	L	10	1/4"	7.0	8.0	49.0	22.0	15.0	17
34.130.12LR04	L	12	1/4"	9.0	10.0	52.0	24.0	17.0	19
34.130.15LR08	L	15	1/2"	11.0	12.0	60.0	28.0	21.0	19
34.130.18LR08	L	18	1/2"	14.0	15.0	67.0	31.0	23.5	24
34.130.06SR04	S	6	1/4"	4.0	4.0	49.0	23.0	16.0	14
34.130.08SR04	S	8	1/4"	5.0	5.0	51.0	24.0	17.0	17
34.130.10SR06	S	10	3/8"	7.0	7.0	53.0	25.0	17.5	19
34.130.12SR06	S	12	3/8"	8.0	8.0	57.0	29.0	21.5	22
34.130.14SR08	S	14	1/2"	10.0	10.0	62.0	30.0	22.0	19
34.130.16SR08	S	16	1/2"	12.0	12.0	65.0	33.0	24.5	24

**MATERIAL:** Carbon Steel  
**FINISH:** Chromium-(VI) Free plating

**COMPLETE:** With Double Edge Compression Ring and Tightening Nut (add an 'P' at the begin of REFERENCE)

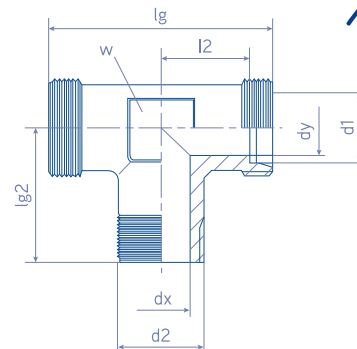
**VERSIONS:** Stainless Steel (add an 'S' at the end of the REFERENCE)



# Metric Male Branch Tee Tube Connector

34.129.

ISO 8434-1 tube coupling and DIN 3852-1 Form-C Metric Thread



REFERENCE	serie	dimensions (mm)							
		Ø tube d1	d2	dx	dy	lg	lg2	l2	w
34.129.06LM10	L	6	M10x1.0	4.0	4.0	38.0	20.0	12.0	12
34.129.08LM12	L	8	M12x1.5	6.0	6.0	42.0	26.0	14.0	14
34.129.10LM14	L	10	M14x1.5	7.0	8.0	44.0	27.0	15.0	17
34.129.12LM16	L	12	M16x1.5	9.0	10.0	48.0	28.0	17.0	19
34.129.15LM18	L	15	M18x1.5	11.0	12.0	56.0	32.0	21.0	19
34.129.18LM22	L	18	M22x1.5	14.0	15.0	62.0	36.0	23.5	24
34.129.06SM12	S	6	M12x1.5	4.0	4.0	46.0	26.0	16.0	14
34.129.08SM14	S	8	M14x1.5	5.0	5.0	48.0	27.0	17.0	17
34.129.10SM16	S	10	M16x1.5	7.0	7.0	50.0	28.0	17.5	19
34.129.12SM18	S	12	M18x1.5	8.0	8.0	58.0	28.0	21.5	22
34.129.14SM20	S	14	M20x1.5	10.0	10.0	60.0	32.0	22.0	19
34.129.16SM22	S	16	M22x1.5	12.0	12.0	66.0	32.0	24.5	24

**MATERIAL:** Carbon Steel  
**FINISH:** : Chromium-(VI) Free plating

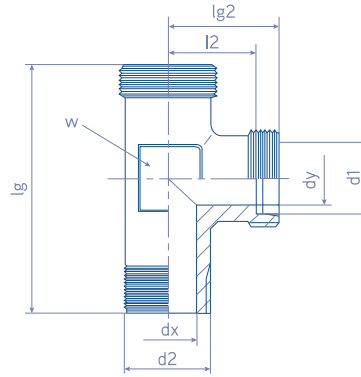
**COMPLETE:** With Double Edge Compression Ring and Tightening Nut (add an 'P' at the begin of REFERENCE)

**VERSIONS:** Stainless Steel (add an 'S' at the end of the REFERENCE)

# Metric Male Run Tee Tube Connector

34.134.

ISO 8434-1 tube coupling and DIN 3852-1 Form-C Metric Thread



REFERENCE	serie	dimensions (mm)							
		Ø tube d1	d2	dx	dy	lg	lg2	l2	w
34.134.06LM10	L	6	M10x1.0	4.0	4.0	39.0	19.0	12.0	12
34.134.08LM12	L	8	M12x1.5	6.0	6.0	47.0	21.0	14.0	14
34.134.10LM14	L	10	M14x1.5	7.0	8.0	49.0	22.0	15.0	17
34.134.12LM16	L	12	M16x1.5	9.0	10.0	52.0	24.0	17.0	19
34.134.15LM18	L	15	M18x1.5	11.0	12.0	60.0	28.0	21.0	19
34.134.18LM22	L	18	M22x1.5	14.0	15.0	67.0	31.0	23.5	24
34.134.06SM12	S	6	M12x1.5	4.0	4.0	49.0	23.0	16.0	14
34.134.08SM14	S	8	M14x1.5	5.0	5.0	51.0	24.0	17.0	17
34.134.10SM16	S	10	M16x1.5	7.0	7.0	53.0	25.0	17.5	19
34.134.12SM18	S	12	M18x1.5	8.0	8.0	57.0	29.0	21.5	22
34.134.14SM20	S	14	M20x1.5	10.0	10.0	62.0	30.0	22.0	19
34.134.16SM22	S	16	M22x1.5	12.0	12.0	65.0	33.0	24.5	24

**MATERIAL:** Carbon Steel  
**FINISH:** : Chromium-(VI) Free plating

**COMPLETE:** With Double Edge Compression Ring and Tightening Nut (add an 'P' at the begin of REFERENCE)

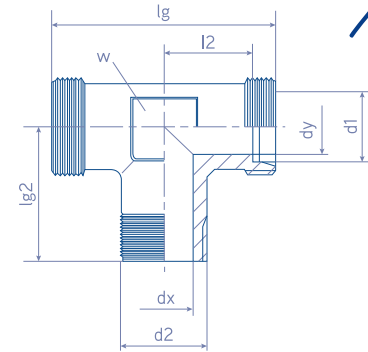
**VERSIONS:** Stainless Steel (add an 'S' at the end of the REFERENCE)



# NPTF Male Branch Tee Tube Connector

34.126.

ISO 8434-1 tube coupling and ANSI B1.20.3 NPTF Thread



REFERENCE	serie	dimensions (mm)							
		Ø tube d1	d2	dx	dy	lg	lg2	l2	w
34.126.06LN02	L	6	1/8"	4.0	4.0	38.0	20.0	12.0	12
34.126.08LN04	L	8	1/4"	6.0	6.0	42.0	26.0	14.0	14
34.126.10LN04	L	10	1/4"	7.0	8.0	44.0	27.0	15.0	17
34.126.12LN04	L	12	1/4"	9.0	10.0	48.0	28.0	17.0	19
34.126.15LN08	L	15	1/2"	11.0	12.0	56.0	32.0	21.0	19
34.126.18LN08	L	18	1/2"	14.0	15.0	62.0	36.0	23.5	24
34.126.06SN04	S	6	1/4"	4.0	4.0	46.0	26.0	16.0	14
34.126.08SN04	S	8	1/4"	5.0	5.0	48.0	27.0	17.0	17
34.126.10SN06	S	10	3/8"	7.0	7.0	50.0	28.0	17.5	19
34.126.12SN06	S	12	3/8"	8.0	8.0	58.0	28.0	21.5	22
34.126.14SN08	S	14	1/2"	10.0	10.0	60.0	32.0	22.0	19
34.126.16SN08	S	16	1/2"	12.0	12.0	66.0	32.0	24.5	24

**MATERIAL:** Carbon Steel  
**FINISH:** : Chromium-(VI) Free plating

**COMPLETE:** With Double Edge Compression Ring and Tightening Nut (add an 'P' at the begin of REFERENCE)

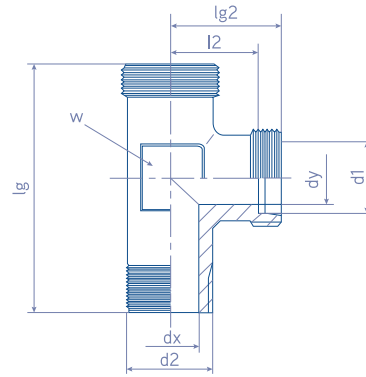
**VERSIONS:** Stainless Steel (add an 'S' at the end of the REFERENCE)



# NPTF Male Run Tee Tube Connector

34.127.

ISO 8434-1 tube coupling and ANSI B1.20.3 NPTF Thread



REFERENCE	serie	dimensions (mm)							
		Ø tube d1	d2	dx	dy	lg	lg2	l2	w
34.127.06LN02	L	6	1/8"	4.0	4.0	39.0	19.0	12.0	12
34.127.08LN04	L	8	1/4"	6.0	6.0	47.0	21.0	14.0	14
34.127.10LN04	L	10	1/4"	7.0	8.0	49.0	22.0	15.0	17
34.127.12LN04	L	12	1/4"	9.0	10.0	52.0	24.0	17.0	19
34.127.15LN08	L	15	1/2"	11.0	12.0	60.0	28.0	21.0	19
34.127.18LN08	L	18	1/2"	14.0	15.0	67.0	31.0	23.5	24
34.127.06SN04	S	6	1/4"	4.0	4.0	49.0	23.0	16.0	14
34.127.08SN04	S	8	1/4"	5.0	5.0	51.0	24.0	17.0	17
34.127.10SN06	S	10	3/8"	7.0	7.0	53.0	25.0	17.5	19
34.127.12SN06	S	12	3/8"	8.0	8.0	57.0	29.0	21.5	22
34.127.14SN08	S	14	1/2"	10.0	10.0	62.0	30.0	22.0	19
34.127.16SN08	S	16	1/2"	12.0	12.0	65.0	33.0	24.5	24

**MATERIAL:** Carbon Steel  
**FINISH:** : Chromium-(VI) Free plating

**COMPLETE:** With Double Edge Compression Ring and Tightening Nut (add an 'P' at the begin of REFERENCE)

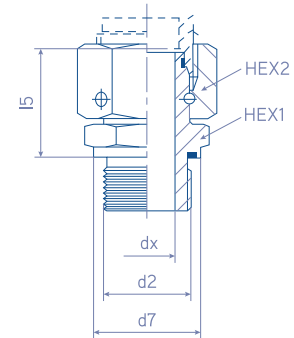
**VERSIONS:** Stainless Steel (add an 'S' at the end of the REFERENCE)



# BSP Male Swivel Tube Connector

34.605.

ISO 8434-1 tube coupling and DIN ISO 1179-2 Form-E BSP Thread



REFERENCE	serie	dimensions (mm)						
		∅ tube d1	d2	d7	dx	I5	HEX 1	HEX 2
34.605.06LR02	L	6	1/8"	13.9	2.5	24.5	14	17
34.605.08LR04	L	8	1/4"	18.9	4.5	29.5	19	17
34.605.10LR04	L	10	1/4"	18.9	6.0	27.5	19	19
34.605.12LR06	L	12	3/8"	21.9	8.0	34.0	22	22
34.605.15LR08	L	15	1/2"	26.9	10.0	32.0	27	27
34.605.18LR08	L	18	1/2"	26.9	13.0	31.5	27	32
34.605.22LR12	L	22	3/4"	31.9	17.0	32.5	32	36
34.605.28LR16	L	28	1"	39.9	22.0	35.0	41	41
34.605.35LR20	L	35	1.1/4"	49.9	28.0	42.5	50	50
34.605.42LR24	L	42	1.1/2"	54.9	34.0	46.5	55	60
34.605.06SR04	S	6	1/4"	18.9	2.5	27.0	19	17
34.605.08SR04	S	8	1/4"	18.9	4.0	29.5	19	19
34.605.10SR06	S	10	3/8"	21.9	6.0	32.0	22	22
34.605.12SR06	S	12	3/8"	21.9	8.0	34.0	22	24
34.605.14SR08	S	14	1/2"	26.9	9.0	36.5	27	27
34.605.16SR08	S	16	1/2"	26.9	11.0	37.0	27	30
34.605.20SR12	S	20	3/4"	31.9	14.0	43.0	32	36
34.605.25SR16	S	25	1"	39.9	18.0	48.0	41	46
34.605.30SR20	S	30	1.1/4"	49.9	23.0	51.0	50	50
34.605.38SR24	S	38	1.1/2"	54.9	30.0	60.0	55	60

**MATERIAL:** Carbon Steel

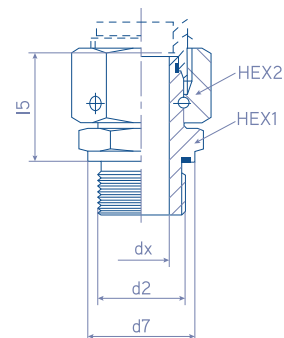
**FINISH:** : Chromium-(VI) Free plating

**VERSIONS:** Stainless Steel (add an 'S' at the end of the REFERENCE)

# Metric Male Swivel Tube Connector

34.606.

ISO 9974-2 tube coupling and DIN ISO 1179-2 Form-E BSP Thread



REFERENCE	serie	dimensions (mm)						
		Ø tube d1	d2	d7	dx	l5	HEX 1	HEX 2
34.606.06LM10	L	6	M10x1.0	13.9	2.5	24.5	14	14
34.606.08LM12	L	8	M12x1.5	16.9	4.5	26.5	17	17
34.606.10LM14	L	10	M14x1.5	18.9	6.0	27.5	19	19
34.606.12LM16	L	12	M16x1.5	21.9	8.0	30.5	22	22
34.606.15LM18	L	15	M18x1.5	23.9	10.0	31.5	24	27
34.606.18LM22	L	18	M22x1.5	26.9	13.0	31.5	27	32
34.606.22LM26	L	22	M26x1.5	31.9	17.0	32.5	32	36
34.606.28LM33	L	28	M33x2.0	39.9	22.0	35.0	41	41
34.606.35LM42	L	35	M42x2.0	49.9	28.0	42.5	50	50
34.606.42LM48	L	42	M48x2.0	54.9	34.0	46.5	55	60
34.606.06SM12	S	6	M12x1.5	16.9	2.5	27.0	19	17
34.606.08SM14	S	8	M14x1.5	18.9	4.0	29.5	19	19
34.606.10SM16	S	10	M16x1.5	21.9	6.0	32.0	22	22
34.606.12SM18	S	12	M18x1.5	23.9	8.0	34.0	24	24
34.606.14SM20	S	14	M20x1.5	25.9	9.0	36.5	27	27
34.606.16SM22	S	16	M22x1.5	26.9	11.0	37.0	27	30
34.606.20SM27	S	20	M27x2.0	31.9	14.0	43.0	32	36
34.606.25SM33	S	25	M33x2.0	39.9	18.0	48.0	41	46
34.606.30SM42	S	30	M42x2.0	49.9	23.0	51.0	50	50
34.606.38SM48	S	38	M48x2.0	54.0	30.0	60.0	55	60

**MATERIAL:** Carbon Steel

**FINISH:** : Chromium-(VI) Free plating

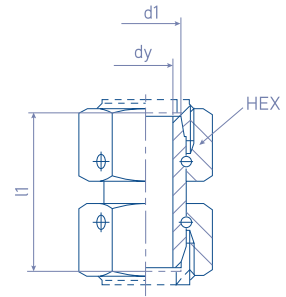
**VERSIONS:** Stainless Steel (add an 'S' at the end of the REFERENCE)



# Metric Swivel Tube Connector

34.635.

ISO 8434-1 tube coupling



REFERENCE	serie	dimensions (mm)			
		Ø tube d1	dy	l1	HEX
34.635.06L	L	6	2.5	39.0	14
34.635.08L	L	8	4.5	39.5	17
34.635.10L	L	10	6.0	39.5	19
34.635.12L	L	12	8.0	39.5	22
34.635.15L	L	15	10.0	42.5	27
34.635.18L	L	18	13.0	45.0	32
34.635.22L	L	22	17.0	49.5	36
34.635.28L	L	28	22.0	51.5	41
34.635.35L	L	35	28.0	61.0	50
34.635.42L	L	42	34.0	62.5	60
34.635.06S	S	6	2.5	40.5	17
34.635.08S	S	8	4.0	40.5	19
34.635.10S	S	10	6.0	43.5	22
34.635.12S	S	12	8.0	44.0	24
34.635.14S	S	14	9.0	48.5	27
34.635.16S	S	16	11.0	49.0	30
34.635.20S	S	20	14.0	60.5	36
34.635.25S	S	25	18.0	67.5	46
34.635.30S	S	30	23.0	72.5	50
34.635.38S	S	38	30.0	83.0	60

**MATERIAL:** Carbon Steel

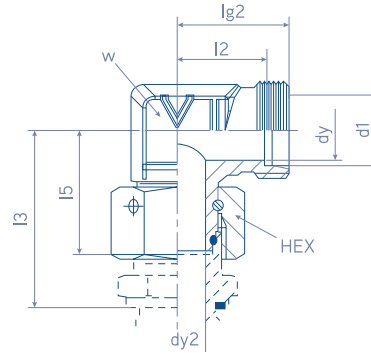
**FINISH:** : Chromium-(VI) Free plating

**VERSIONS:** Stainless Steel (add an 'S' at the end of the REFERENCE)

# Swivel 90° Elbow Adjustable Tube Connector

34.642.

ISO 8434-1 tube coupling



REFERENCE	serie	dimensions (mm)								
		∅ tube d1	dy	dy2	lg2	l2	l3	l5	w	HEX
34.642.06LM12	L	6	4	2.5	19.0	12.0	34.5	26.0	12	14
34.642.08LM14	L	8	6	4.0	21.0	14.0	37.5	27.5	14	17
34.642.10LM16	L	10	8	6.0	22.0	15.0	40.0	29.0	14	19
34.642.12LM18	L	12	10	8.0	24.0	17.0	42.0	29.5	17	22
34.642.15LM22	L	15	12	10.0	28.0	21.0	46.0	32.5	19	27
34.642.18LM26	L	18	15	13.0	31.0	23.5	50.0	35.5	24	32
34.642.22LM30	L	22	19	17.0	35.0	27.5	55.0	38.5	27	36
34.642.28LM36	L	28	24	22.0	38.0	30.5	59.0	41.5	36	41
34.642.35LM45	L	35	30	28.0	45.0	34.5	68.5	51.0	41	50
34.642.42LM52	L	42	36	34.0	51.0	40.0	75.0	56.0	50	60
34.642.06SM14	S	6	4	2.5	23.0	16.0	40.0	27.0	14	17
34.642.08SM16	S	8	5	4.0	24.0	17.0	42.5	27.5	17	19
34.642.10SM18	S	10	7	6.0	25.0	17.5	45.0	30.0	19	22
34.642.12SM20	S	12	8	8.0	29.0	21.5	48.0	31.5	17	24
34.642.14SM22	S	14	10	9.0	30.0	22.0	54.0	35.0	19	27
34.642.16SM24	S	16	12	11.0	33.0	24.5	55.0	36.5	24	30
34.642.20SM30	S	20	16	14.0	37.0	26.5	65.0	44.5	27	36
34.642.25SM36	S	25	20	18.0	42.0	30.0	73.0	50.0	36	46
34.642.30SM42	S	30	25	23.0	49.0	35.5	78.5	55.0	41	50
34.642.38SM52	S	38	32	30.0	57.0	41.0	89.0	63.0	50	60

**MATERIAL:** Carbon Steel  
**FINISH:** : Chromium-(VI) Free plating

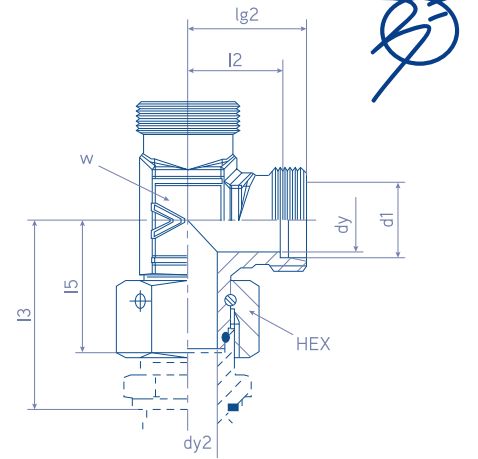
**COMPLETE:** With Double Edge Compression Ring and Tightening Nut (add an 'P' at the begin of REFERENCE)

**VERSIONS:** Stainless Steel (add an 'S' at the end of the REFERENCE)

# Swivel Run Tee Adjustable Tube Connector

34.646.

ISO 8434-1 tube coupling



REFERENCE	serie	dimensions (mm)								
		$\emptyset$ tube d1	dy	dy2	lg2	l2	l3	l5	w	HEX
34.646.06LM12	L	6	4	2.5	19.0	12.0	34.5	26.0	12	14
34.646.08LM14	L	8	6	4.0	21.0	14.0	37.5	27.5	14	17
34.646.10LM16	L	10	8	6.0	22.0	15.0	40.0	29.0	14	19
34.646.12LM18	L	12	10	8.0	24.0	17.0	42.0	29.5	17	22
34.646.15LM22	L	15	12	10.0	28.0	21.0	46.0	32.5	19	27
34.646.18LM26	L	18	15	13.0	31.0	23.5	50.0	35.5	24	32
34.646.22LM30	L	22	19	17.0	35.0	27.5	55.0	38.5	27	36
34.646.28LM36	L	28	24	22.0	38.0	30.5	59.0	41.5	36	41
34.646.35LM45	L	35	30	28.0	45.0	34.5	68.5	51.0	41	50
34.646.42LM52	L	42	36	34.0	51.0	40.0	75.0	56.0	50	60
34.646.06SM14	S	6	4	2.5	23.0	16.0	40.0	27.0	14	17
34.646.08SM16	S	8	5	4.0	24.0	17.0	42.5	27.5	17	19
34.646.10SM18	S	10	7	6.0	25.0	17.5	45.0	30.0	19	22
34.646.12SM20	S	12	8	8.0	29.0	21.5	48.0	31.5	17	24
34.646.14SM22	S	14	10	9.0	30.0	22.0	54.0	35.0	19	27
34.646.16SM24	S	16	12	11.0	33.0	24.5	55.0	36.5	24	30
34.646.20SM30	S	20	16	14.0	37.0	26.5	65.0	44.5	27	36
34.646.25SM36	S	25	20	18.0	42.0	30.0	73.0	50.0	36	46
34.646.30SM42	S	30	25	23.0	49.0	35.5	78.5	55.0	41	50
34.646.38SM52	S	38	32	30.0	57.0	41.0	89.0	63.0	50	60

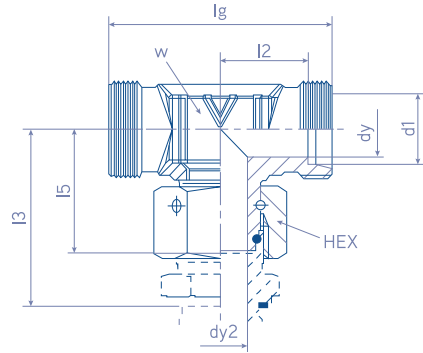
**MATERIAL:** Carbon Steel  
**FINISH:** : Chromium-(VI) Free plating

**COMPLETE:** With Double Edge Compression Ring and Tightening Nut (add an 'P' at the begin of REFERENCE)

**VERSIONS:** Stainless Steel (add an 'S' at the end of the REFERENCE)

# Swivel Branch Tee Adjustable Tube Connector

34.150.  
ISO 8434-1 tube coupling



REFERENCE	serie	dimensions (mm)								
		Ø tube d1	dy	dy2	lg	l2	l3	l5	w	HEX
34.150.06LM12	L	6	4	2.5	38.0	12.0	34.5	26.0	12	14
34.150.08LM14	L	8	6	4.0	42.0	14.0	37.5	27.5	14	17
34.150.10LM16	L	10	8	6.0	44.0	15.0	40.0	29.0	14	19
34.150.12LM18	L	12	10	8.0	48.0	17.0	42.0	29.5	17	22
34.150.15LM22	L	15	12	10.0	56.0	21.0	46.0	32.5	19	27
34.150.18LM26	L	18	15	13.0	62.0	23.5	50.0	35.5	24	32
34.150.22LM30	L	22	19	17.0	70.0	27.5	55.0	38.5	27	36
34.150.28LM36	L	28	24	22.0	76.0	30.5	59.0	41.5	36	41
34.150.35LM45	L	35	30	28.0	90.0	34.5	68.5	51.0	41	50
34.150.42LM52	L	42	36	34.0	102.0	40.0	75.0	56.0	50	60
34.150.06SM14	S	6	4	2.5	46.0	16.0	40.0	27.0	14	17
34.150.08SM16	S	8	5	4.0	48.0	17.0	42.5	27.5	17	19
34.150.10SM18	S	10	7	6.0	50.0	17.5	45.0	30.0	19	22
34.150.12SM20	S	12	8	8.0	58.0	21.5	48.0	31.5	17	24
34.150.14SM22	S	14	10	9.0	60.0	22.0	54.0	35.0	19	27
34.150.16SM24	S	16	12	11.0	66.0	24.5	55.0	36.5	24	30
34.150.20SM30	S	20	16	14.0	74.0	26.5	65.0	44.5	27	36
34.150.25SM36	S	25	20	18.0	84.0	30.0	73.0	50.0	36	46
34.150.30SM42	S	30	25	23.0	98.0	35.5	78.5	55.0	41	50
34.150.38SM52	S	38	32	30.0	114.0	41.0	89.0	63.0	50	60

**MATERIAL:** Carbon Steel  
**FINISH:** : Chromium-(VI) Free plating

**COMPLETE:** With Double Edge Compression Ring and Tightening Nut (add an 'P' at the begin of REFERENCE)

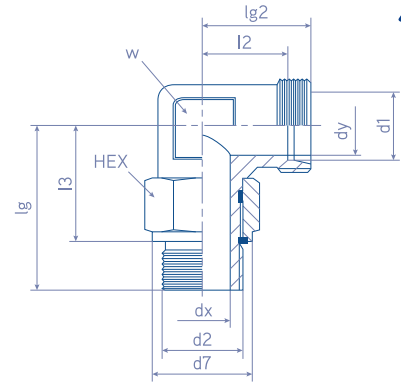
**VERSIONS:** Stainless Steel (add an 'S' at the end of the REFERENCE)



# BSP Male Adjustable 90° Elbow Tube Connector

34.143.

ISO 8434-1 tube coupling and DIN ISO 1179-2 Form-E BSP Thread



REFERENCE	serie	dimensions (mm)										
		Ø tube d1	d2	d7	dx	dy	lg	lg2	l2	l3	w	HEX
34.143.06LR02	L	6	1/8"	13.9	4.0	4.0	29.0	21.0	14.0	21.0	14	14
34.143.08LR04	L	8	1/4"	18.9	7.0	6.0	38.0	23.0	16.0	26.0	17	19
34.143.10LR04	L	10	1/4"	18.9	7.0	8.0	38.0	24.0	17.0	26.0	17	19
34.143.12LR06	L	12	3/8"	21.9	10.0	10.0	41.0	26.0	19.0	29.0	19	22
34.143.15LR08	L	15	1/2"	26.9	12.5	12.0	44.0	28.0	21.0	30.0	22	27
34.143.18LR08	L	18	1/2"	26.9	12.5	15.0	51.0	33.0	25.5	37.0	27	27
34.143.22LR12	L	22	3/4"	35.9	18.0	19.0	55.0	35.0	27.5	39.0	27	36
34.143.28LR16	L	28	1"	40.9	21.5	24.0	68.5	40.0	32.5	50.5	41	41
34.143.35LR20	L	35	1.1/4"	49.9	27.5	30.0	76.0	46.5	36.0	56.0	50	50
34.143.42LR24	L	42	1.1/2"	54.9	33.0	36.0	79.5	51.0	40.0	57.5	50	55
34.143.06SR04	S	6	1/4"	18.9	6.0	4.0	38.0	25.0	18.0	26.0	17	19
34.143.08SR04	S	8	1/4"	18.9	7.0	5.0	38.0	25.0	18.0	26.0	17	19
34.143.10SR06	S	10	3/8"	21.9	10.0	7.0	41.0	27.0	19.5	29.0	19	22
34.143.12SR06	S	12	3/8"	21.9	10.0	8.0	41.0	29.0	21.5	29.0	19	22
34.143.14SR08	S	14	1/2"	26.9	10.0	10.0	44.0	30.0	22.0	30.0	24	27
34.143.16SR08	S	16	1/2"	26.9	10.0	12.0	51.0	35.0	26.5	37.0	27	27
34.143.20SR12	S	20	3/4"	35.9	15.5	16.0	55.0	38.0	27.5	39.0	27	36
34.143.25SR16	S	25	1"	40.9	21.5	20.0	68.5	44.0	32.0	50.5	41	41
34.143.30SR20	S	30	1.1/4"	49.9	27.5	25.0	76.0	50.0	36.5	56.0	50	50
34.143.38SR24	S	38	1.1/2"	54.9	33.0	32.0	79.5	57.0	41.0	57.5	50	55

**MATERIAL:** Carbon Steel  
**FINISH:** : Chromium-(VI) Free plating

**COMPLETE:** With Double Edge Compression Ring and Tightening Nut (add an 'P' at the begin of REFERENCE)

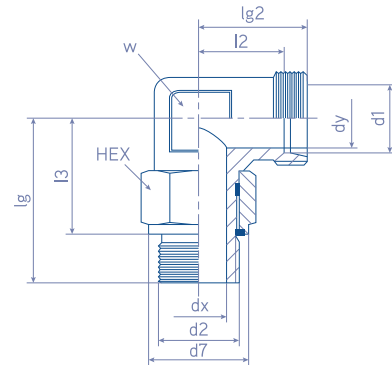
**VERSIONS:** Stainless Steel (add an 'S' at the end of the REFERENCE)



# Metric Male Adjustable 90° Elbow Tube Connector

34.144.

ISO 8434-1 tube coupling and ISO 9974-2 Form-E Metric Thread



REFERENCE	serie	dimensions (mm)										
		∅ tube d1	d2	d7	dx	dy	lg	lg2	l2	l3	w	HEX
34.144.06LM10	L	6	M10x1.0	13.9	4.5	4.0	29.5	21.0	14.0	21.5	14	14
34.144.08LM12	L	8	M12x1.5	16.9	6.0	6.0	36.5	23.0	16.0	24.5	17	19
34.144.10LM14	L	10	M14x1.5	18.9	7.5	8.0	39.0	24.0	17.0	27.0	17	19
34.144.12LM16	L	12	M16x1.5	21.9	9.0	10.0	40.0	26.0	19.0	28.0	19	22
34.144.15LM18	L	15	M18x1.5	23.9	11.0	12.0	32.0	28.0	21.0	30.0	22	27
34.144.18LM22	L	18	M22x1.5	26.9	14.0	15.0	49.5	33.0	25.5	35.5	27	27
34.144.22LM26	L	22	M26x1.5	31.9	18.0	19.0	53.0	35.0	27.5	37.0	27	36
34.144.28LM33	L	28	M33x2.0	40.9	23.0	24.0	68.5	40.0	32.5	50.5	41	41
34.144.35LM42	L	35	M42x2.0	49.9	30.0	30.0	75.5	46.5	36.0	55.5	50	50
34.144.42LM48	L	42	M48x2.0	54.9	36.0	36.0	79.5	51.0	40.0	57.5	50	55
34.144.06SM12	S	6	M12x1.5	16.9	4.0	4.0	36.5	25.0	18.0	24.5	17	19
34.144.08SM14	S	8	M14x1.5	18.9	6.0	5.0	39.0	25.0	18.0	27.0	17	19
34.144.10SM16	S	10	M16x1.5	21.9	7.0	7.0	40.0	27.0	19.5	28.0	19	22
34.144.12SM18	S	12	M18x1.5	23.9	9.0	8.0	42.0	29.0	21.5	30.0	19	22
34.144.16SM22	S	16	M22x1.5	26.9	12.0	12.0	49.5	35.0	26.5	35.5	27	27
34.144.20SM27	S	20	M27x2.0	31.9	15.0	16.0	56.0	38.0	27.5	40.0	27	36
34.144.25SM33	S	25	M33x2.0	40.9	20.0	20.0	68.5	44.0	32.0	50.5	41	41
34.144.30SM42	S	30	M42x2.0	49.9	26.0	25.0	75.5	50.0	36.5	55.5	50	50
34.144.38SM48	S	38	M48x2.0	54.9	32.0	32.0	79.5	57.0	41.0	57.5	50	55

**MATERIAL:** Carbon Steel  
**FINISH:** : Chromium-(VI) Free plating

**COMPLETE:** With Double Edge Compression Ring and Tightening Nut (add an 'P' at the begin of REFERENCE)

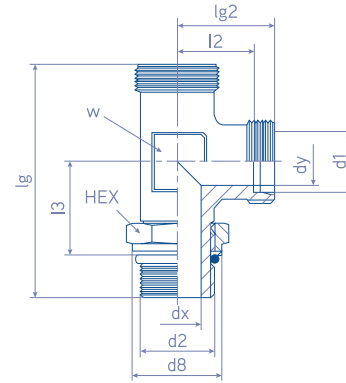
**VERSIONS:** Stainless Steel (add an 'S' at the end of the REFERENCE)



# Metric Male Run Tee Tube Connector

34.148.

ISO 8434-1 tube coupling and ISO 9974-2 Form-E Metric Thread



REFERENCE	serie	dimensions (mm)										
		Ø tube d1	d2	d8	dx	dy	lg	lg2	l2	l3	w	HEX
34.148.06LM10	L	6	M10x1.0	14.5	4.5	4.0	44.0	27.0	15.0	20.0	14	14
34.148.08LM12	L	8	M12x1.5	17.5	6.0	6.0	44.0	32.0	15.0	22.0	14	17
34.148.10LM14	L	10	M14x1.5	19.5	7.5	8.0	49.0	35.0	17.5	25.0	17	19
34.148.12LM16	L	12	M16x1.5	22.5	9.0	10.0	54.0	36.0	20.0	26.0	19	22
34.148.15LM18	L	15	M18x1.5	24.5	11.0	12.0	56.0	41.0	21.0	30.0	22	24
34.148.18LM22	L	18	M22x1.5	27.5	14.0	15.0	66.0	45.0	25.5	33.0	27	27
34.148.22LM26	L	22	M26x1.5	32.5	18.0	19.0	70.0	49.0	27.5	35.0	27	32
34.148.28LM33	L	28	M33x2.0	41.5	23.0	24.0	76.0	52.0	30.5	38.0	36	41
34.148.35LM42	L	35	M42x2.0	50.5	30.0	30.0	90.0	62.0	34.5	48.0	41	50
34.148.42LM48	L	42	M48x2.0	55.5	36.0	36.0	102.0	65.0	40.0	49.0	50	55
34.148.06SM12	S	6	M12x1.5	17.5	4.0	4.0	44.0	32.0	15.0	22.0	17	17
34.148.08SM14	S	8	M14x1.5	19.5	6.0	5.0	54.0	36.0	20.0	26.0	19	19
34.148.10SM16	S	10	M16x1.5	22.5	7.0	7.0	55.0	38.0	20.0	27.0	19	22
34.148.12SM18	S	12	M18x1.5	24.5	9.0	8.0	58.0	43.0	21.5	31.0	22	24
34.148.16SM22	S	16	M22x1.5	27.5	12.0	12.0	66.0	49.0	24.5	35.0	22	27
34.148.20SM27	S	20	M27x2.0	32.5	15.0	16.0	74.0	55.0	26.5	39.0	27	32
34.148.25SM33	S	25	M33x2.0	41.5	20.0	20.0	84.0	60.0	30.0	44.0	36	41
34.148.30SM42	S	30	M42x2.0	50.5	26.0	25.0	98.0	68.0	35.5	51.0	41	50
34.148.38SM48	S	38	M48x2.0	55.5	32.0	32.0	114.0	73.0	41.0	54.0	50	55

**MATERIAL:** Carbon Steel  
**FINISH:** : Chromium-(VI) Free plating

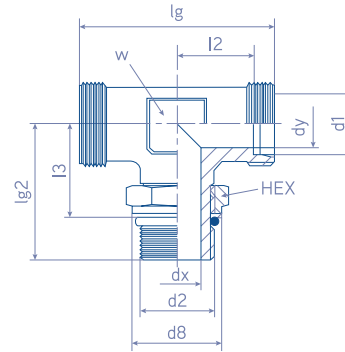
**COMPLETE:** With Double Edge Compression Ring and Tightening Nut (add an 'P' at the begin of REFERENCE)

**VERSIONS:** Stainless Steel (add an 'S' at the end of the REFERENCE)

# Metric Male Branch Tee Tube Connector

34.152.

ISO 8434-1 tube coupling and ISO 9974-2 Form-E Metric Thread



REFERENCE	serie	dimensions (mm)										
		∅ tube d1	d2	d8	dx	dy	lg	lg2	l2	l3	w	HEX
34.152.06LM10	L	6	M10x1.0	14.5	4.5	4.0	48.0	21.0	14.0	20.0	14	14
34.152.08LM12	L	8	M12x1.5	17.5	6.0	6.0	55.0	23.0	16.0	22.0	14	17
34.152.10LM14	L	10	M14x1.5	19.5	7.5	8.0	59.0	24.0	17.0	25.0	17	19
34.152.12LM16	L	12	M16x1.5	22.5	9.0	10.0	62.0	26.0	19.0	26.0	19	22
34.152.15LM18	L	15	M18x1.5	24.5	11.0	12.0	69.0	28.0	21.0	30.0	22	24
34.152.18LM22	L	18	M22x1.5	27.5	14.0	15.0	79.0	34.0	26.5	33.0	27	27
34.152.22LM26	L	22	M26x1.5	32.5	18.0	19.0	84.0	35.0	27.5	35.0	27	32
34.152.28LM33	L	28	M33x2.0	41.5	23.0	24.0	90.0	38.0	30.5	38.0	36	41
34.152.35LM42	L	35	M42x2.0	50.5	30.0	30.0	107.0	45.0	34.5	48.0	41	50
34.152.42LM48	L	42	M48x2.0	55.5	36.0	36.0	116.0	51.0	40.0	49.0	50	55
34.152.06SM12	S	6	M12x1.5	17.5	4.0	4.0	55.0	23.0	16.0	22.0	17	17
34.152.08SM14	S	8	M14x1.5	19.5	6.0	5.0	60.0	24.0	17.0	26.0	19	19
34.152.10SM16	S	10	M16x1.5	22.5	7.0	7.0	65.0	27.0	19.5	27.0	19	22
34.152.12SM18	S	12	M18x1.5	24.5	9.0	8.0	75.0	32.0	24.5	31.0	22	24
34.152.16SM22	S	16	M22x1.5	27.5	12.0	12.0	82.0	33.0	24.5	35.0	22	27
34.152.20SM27	S	20	M27x2.0	32.5	15.0	16.0	92.0	37.0	26.5	39.0	27	32
34.152.25SM33	S	25	M33x2.0	41.5	20.0	20.0	102.0	42.0	30.0	44.0	36	41
34.152.30SM42	S	30	M42x2.0	50.5	26.0	25.0	117.0	49.0	35.5	51.0	41	50
34.152.38SM48	S	38	M48x2.0	55.5	32.0	32.0	130.0	57.0	41.0	54.0	50	55

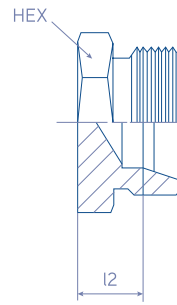
**MATERIAL:** Carbon Steel  
**FINISH:** Chromium-(VI) Free plating

**COMPLETE:** With Double Edge Compression Ring and Tightening Nut (add an 'P' at the begin of REFERENCE)

**VERSIONS:** Stainless Steel (add an 'S' at the end of the REFERENCE)



# Tube Blanking Screw



34.175.

ISO 8434-1 Plug

REFERENCE	serie	dimensions (mm)		
		Ø tube d1	l2	HEX
34.175.06L	L	6	7.0	12
34.175.08L	L	8	8.0	14
34.175.10L	L	10	9.0	17
34.175.12L	L	12	10.0	19
34.175.15L	L	15	11.0	24
34.175.18L	L	18	11.5	27
34.175.22L	L	22	13.5	32
34.175.28L	L	28	14.5	41
34.175.35L	L	35	14.5	46
34.175.42L	L	42	18.5	55
34.175.06S	S	6	11.0	14
34.175.08S	S	8	13.0	17
34.175.10S	S	10	12.5	19
34.175.12S	S	12	14.5	22
34.175.14S	S	14	16.0	24
34.175.16S	S	16	15.5	27
34.175.20S	S	20	17.5	32
34.175.25S	S	25	20.0	41
34.175.30S	S	30	20.5	46
34.175.38S	S	38	23.0	55

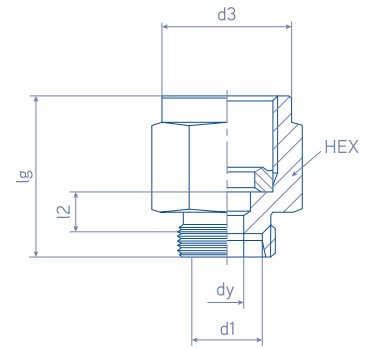
**MATERIAL:** Carbon Steel  
**FINISH:** : Chromium-(VI) Free plating

**COMPLETE:** With Double Edge Compression Ring and Tightening Nut (add an 'P' at the begin of REFERENCE)

**VERSIONS:** Stainless Steel (add an 'S' at the end of the REFERENCE)

# BSP Gauge Tube Connector

34.159.



REFERENCE	serie	dimensions (mm)					
		Ø tube d1	d3	dy	lg	l2	HEX
34.159.06LR04	L	6	1/4"	4.0	29.0	7.5	19
34.159.08LR04	L	8	1/4"	4.0	29.0	7.5	19
34.159.10LR04	L	10	1/4"	4.0	30.0	8.5	19
34.159.12LR04	L	12	1/4"	4.0	30.0	8.5	19

**MATERIAL:** Carbon Steel  
**FINISH:** : Chromium-(VI) Free plating

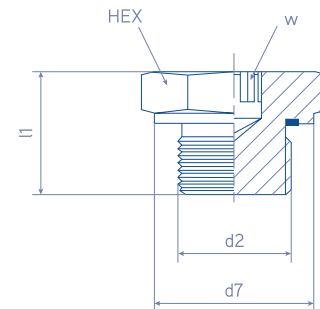
**COMPLETE:** With Double Edge Compression Ring and Tightening Nut (add an 'P' at the begin of REFERENCE)

**VERSIONS:** Stainless Steel (add an 'S' at the end of the REFERENCE)

# Metric Plug with Hexagon Socket

34.177.

ISO 8434-1 Plug



REFERENCE	dimensions (mm)				
	d2	d7	l1	W	HEX
34.177.M10	M10x1.0	13.9	18.0	5	14
34.177.M12	M12x1.5	17.0	17.3	6	17
34.177.M14	M14x1.5	18.9	22.0	8	19
34.177.M16	M16x1.5	21.9	17.3	8	22
34.177.M18	M18x1.5	23.9	22.0	8	24
34.177.M20	M20x1.5	25.9	19.3	10	27
34.177.M22	M22x1.5	27.0	19.3	10	30
34.177.M24	M24x1.5	29.9	19.3	12	32
34.177.M26	M26x1.5	31.9	21.3	12	36
34.177.M27	M27x2.0	32.0	21.3	12	36
34.177.M33	M33x2.0	46.0	33.0	17	41
34.177.M42	M42x2.0	49.9	22.8	22	46
34.177.M48	M48x2.0	55.0	22.8	24	50

**MATERIAL:** Carbon Steel  
**FINISH:** : Chromium-(VI) Free plating

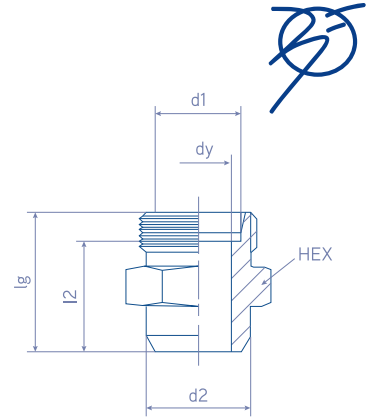
**COMPLETE:** With Double Edge Compression Ring and Tightening Nut (add an 'P' at the begin of REFERENCE)

**VERSIONS:** Stainless Steel (add an 'S' at the end of the REFERENCE)

# Straight Welding Tube Connector

34.155.

ISO 8434-1 tube coupling



REFERENCE	serie	dimensions (mm)					
		Ø tube d1	d2	dy	lg	l2	HEX
34.155.06L	L	6	10.0	4.0	21.0	14.0	12
34.155.08L	L	8	12.0	6.0	23.0	16.0	14
34.155.10L	L	10	14.0	8.0	25.0	16.0	17
34.155.12L	L	12	16.0	10.0	25.0	18.0	19
34.155.15L	L	15	19.0	12.0	29.0	22.0	22
34.155.18L	L	18	22.0	15.0	31.0	23.5	27
34.155.22L	L	22	27.0	19.0	36.0	28.5	32
34.155.28L	L	28	32.0	24.0	38.0	30.5	41
34.155.35L	L	35	40.0	30.0	43.0	32.5	46
34.155.42L	L	42	46.0	36.0	46.0	35.0	55
34.155.06S	S	6	11.0	4.0	26.0	19.0	14
34.155.08S	S	8	13.0	5.0	28.0	21.0	17
34.155.10S	S	10	15.0	7.0	30.0	22.5	19
34.155.12S	S	12	17.0	8.0	32.0	24.5	22
34.155.14S	S	14	19.0	10.0	35.0	27.0	24
34.155.16S	S	16	21.0	12.0	35.0	26.5	27
34.155.20S	S	20	26.0	16.0	40.0	29.5	32
34.155.25S	S	25	31.0	20.0	44.0	32.0	41
34.155.30S	S	30	36.0	25.0	49.0	35.5	46
34.155.38S	S	38	44.0	32.0	54.0	38.0	55

**MATERIAL:** Carbon Steel  
**FINISH:** : Chromium-(VI) Free plating

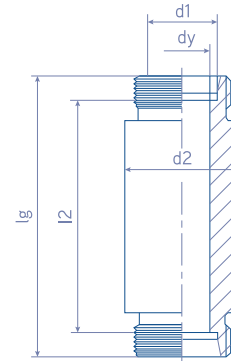
**COMPLETE:** With Double Edge Compression Ring and Tightening Nut (add an 'P' at the begin of REFERENCE)

**VERSIONS:** Stainless Steel (add an 'S' at the end of the REFERENCE)

# Bulkhead Welding Tube Connector

34.156.

ISO 8434-1 tube coupling



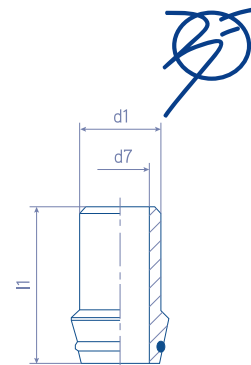
REFERENCE	serie	dimensions (mm)				
		Ø tube d1	d2	dy	lg	l2
34.156.06L	L	6	18.0	4.0	70.0	56.0
34.156.08L	L	8	20.0	6.0	70.0	56.0
34.156.10L	L	10	22.0	8.0	72.0	58.0
34.156.12L	L	12	25.0	10.0	72.0	58.0
34.156.15L	L	15	28.0	12.0	84.0	70.0
34.156.18L	L	18	32.0	15.0	84.0	69.0
34.156.22L	L	22	36.0	19.0	88.0	73.0
34.156.28L	L	28	40.0	24.0	88.0	73.0
34.156.35L	L	35	50.0	30.0	92.0	71.0
34.156.42L	L	42	60.0	36.0	92.0	70.0
34.156.06S	S	6	20.0	4.0	74.0	60.0
34.156.08S	S	8	22.0	5.0	74.0	60.0
34.156.10S	S	10	25.0	7.0	74.0	59.0
34.156.12S	S	12	28.0	8.0	74.0	59.0
34.156.14S	S	14	30.0	10.0	88.0	72.0
34.156.16S	S	16	35.0	12.0	88.0	71.0
34.156.20S	S	20	38.0	16.0	92.0	71.0
34.156.25S	S	25	45.0	20.0	96.0	72.0
34.156.30S	S	30	50.0	25.0	100.0	73.0
34.156.38S	S	38	60.0	32.0	104.0	72.0

**MATERIAL:** Carbon Steel  
**FINISH:** : Chromium-(VI) Free plating

**COMPLETE:** With Double Edge Compression Ring and Tightening Nut (add an 'P' at the begin of REFERENCE)

**VERSIONS:** Stainless Steel (add an 'S' at the end of the REFERENCE)

# Welding Nipple With O-ring



34.157.

ISO 8434-1 tube coupling

REFERENCE	serie	dimensions (mm)		
		Ø tube d1	d7	l1
34.157.06LS	L/S	6	3.0	31.0
34.157.08LS	L/S	8	5.0	31.0
34.157.10LS	L/S	10	8.0	32.5
34.157.12LS	L/S	12	9.0	32.5
34.157.15L	L	15	11.0	34.5
34.157.18L	L	18	13.0	36.0
34.157.22L	L	22	17.0	38.5
34.157.28L	L	28	23.0	41.5
34.157.35L	L	35	28.0	47.5
34.157.42L	L	42	36.0	47.5
34.157.14S	S	6	10.0	38.5
34.157.16S	S	8	13.0	39.0
34.157.20S	S	10	16.0	45.0
34.157.25S	S	12	20.0	50.0
34.157.30S	S	14	24.0	52.0
34.157.38S	S	16	32.0	56.5

**MATERIAL:** Carbon Steel

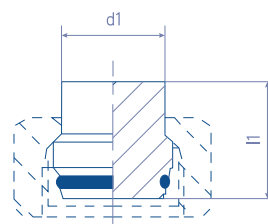
**FINISH:** : Chromium-(VI) Free plating

**VERSIONS:** Stainless Steel (add an 'S' at the end of the REFERENCE)



# Blanking Nipple

34.158.  
ISO 8434-1 nipple



REFERENCE	serie	dimensions (mm)	
		Ø tube d1	l1
34.158.06LS	L/S	6	18.5
34.158.08LS	L/S	8	19.0
34.158.10LS	L/S	10	21.0
34.158.12LS	L/S	12	21.5
34.158.15L	L	15	20.5
34.158.18L	L	18	23.5
34.158.22L	L	22	26.0
34.158.28L	L	28	26.5
34.158.35L	L	35	32.0
34.158.42L	L	42	32.5
34.158.14S	S	6	24.0
34.158.16S	S	8	25.0
34.158.20S	S	10	30.5
34.158.25S	S	12	32.5
34.158.30S	S	14	35.5
34.158.38S	S	16	40.5

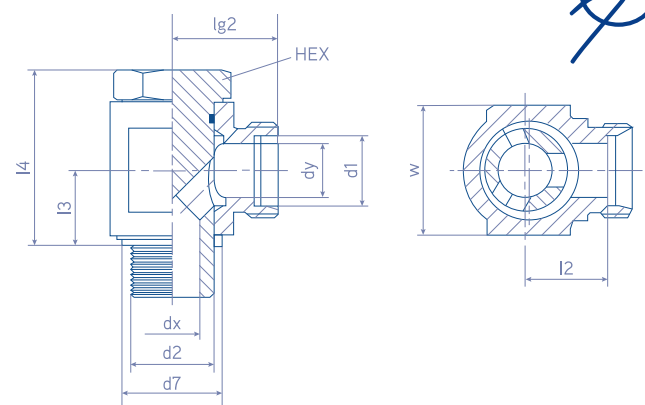
**MATERIAL:** Carbon Steel

**FINISH:** : Chromium-(VI) Free plating

**VERSIONS:** Stainless Steel (add an 'S' at the end of the REFERENCE)



# BSP Banjo Tube Connector



## 34.113.

ISO 8434-1 tube coupling and DIN ISO 1179-1 Form-B  
BSP Thread

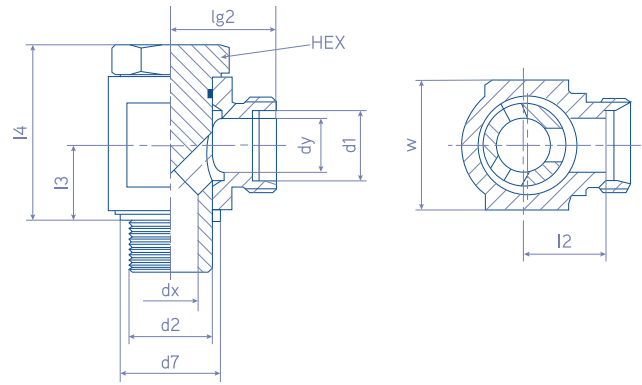
REFERENCE	serie	dimensions (mm)										
		Ø tube d1	d2	d7	dx	dy	lg2	l2	l3	l4	w	HEX
34.113.06LR02	L	6	1/8"	14.9	4.0	4.0	19.0	12.0	10.5	25.3	19	17
34.113.08LR04	L	8	1/4"	18.9	6.0	6.0	21.5	14.5	14.0	31.5	22	19
34.113.10LR04	L	10	1/4"	18.9	8.0	8.0	22.5	15.5	14.0	33.0	22	19
34.113.12LR06	L	12	3/8"	21.9	10.0	10.0	25.0	18.0	16.5	38.5	27	22
34.113.15LR08	L	15	1/2"	26.9	12.0	12.0	29.0	22.0	21.5	45.5	32	27
34.113.18LR08	L	18	1/2"	26.9	15.0	15.0	29.0	21.5	21.5	47.5	36	27
34.113.22LR12	L	22	3/4"	32.9	19.0	19.0	36.0	28.5	24.0	56.5	46	36
34.113.28LR16	L	28	1"	39.9	24.0	24.0	39.0	31.5	30.5	68.0	50	41
34.113.35LR20	L	35	1.1/4"	49.9	30.0	30.0	46.0	35.5	35.5	78.0	60	50
34.113.42LR24	L	42	1.1/2"	55.9	36.0	36.0	51.0	40.0	40.5	88.5	70	60
34.113.06SR04	S	6	1/4"	18.9	4.0	4.0	23.5	16.5	14.0	30.5	22	19
34.113.08SR04	S	8	1/4"	18.9	5.0	5.0	23.5	16.5	14.0	31.0	22	19
34.113.10SR06	S	10	3/8"	21.9	7.0	7.0	26.0	18.5	16.5	37.0	27	22
34.113.12SR06	S	12	3/8"	21.9	8.0	8.0	26.0	18.5	16.5	37.5	27	22
34.113.14SR08	S	14	1/2"	26.9	10.0	10.0	31.0	23.0	21.5	44.0	32	27
34.113.16SR08	S	16	1/2"	26.9	12.0	12.0	31.0	22.5	21.5	47.0	36	27
34.113.20SR12	S	20	3/4"	32.9	16.0	16.0	38.0	27.5	24.0	55.0	46	36
34.113.25SR16	S	25	1"	39.9	20.0	20.0	43.0	31.0	30.5	66.5	50	41
34.113.30SR20	S	30	1.1/4"	49.9	25.0	25.0	50.0	36.5	35.5	75.5	60	50
34.113.38SR24	S	38	1.1/2"	55.9	32.0	32.0	57.0	41.0	40.5	86.5	70	60

**MATERIAL:** Carbon Steel  
**FINISH:** : Chromium-(VI) Free plating

**COMPLETE:** With Double Edge Compression Ring and Tightening Nut (add an 'P' at the begin of REFERENCE)

**VERSIONS:** Stainless Steel (add an 'S' at the end of the REFERENCE)

# Metric Banjo Tube Connector



34.114.

ISO 8434-1 tube coupling and ISO 9974-1 Form-B  
Metric Thread

REFERENCE	serie	dimensions (mm)										
		Ø tube d1	d2	d7	dx	dy	lg2	l2	l3	l4	w	HEX
34.114.06LM10	L	6	M10x1.0	14.9	4.0	4.0	19.0	12.0	10.5	25.3	19	14
34.114.08LM12	L	8	M12x1.5	17.0	6.0	6.0	21.5	14.5	14.0	31.5	22	17
34.114.10LM14	L	10	M14x1.5	18.9	8.0	8.0	22.5	15.5	14.0	33.0	22	19
34.114.12LM16	L	12	M16x1.5	21.9	10.0	10.0	25.0	18.0	16.5	38.5	27	22
34.114.15LM18	L	15	M18x1.5	26.9	12.0	12.0	29.0	22.0	21.5	45.5	32	24
34.114.18LM22	L	18	M22x1.5	26.9	15.0	15.0	29.0	21.5	21.5	47.5	36	27
34.114.22LM26	L	22	M26x1.5	32.9	19.0	19.0	36.0	28.5	24.0	56.5	46	32
34.114.28LM33	L	28	M33x2.0	39.9	24.0	24.0	39.0	31.5	30.5	68.0	50	41
34.114.35LM42	L	35	M42x2.0	49.9	30.0	30.0	46.0	35.5	35.5	78.0	60	50
34.114.42LM48	L	42	M48x2.0	55.9	36.0	36.0	51.0	40.0	40.5	88.5	70	60
34.114.06SM12	S	6	M12x1.5	17.0	4.0	4.0	23.5	16.5	14.0	30.5	22	17
34.114.08SM14	S	8	M14x1.5	18.9	5.0	5.0	23.5	16.5	14.0	31.0	22	19
34.114.10SM16	S	10	M16x1.5	21.9	7.0	7.0	26.0	18.5	16.5	37.0	27	22
34.114.12SM18	S	12	M18x1.5	23.9	8.0	8.0	26.0	18.5	16.5	37.5	27	24
34.114.16SM22	S	16	M22x1.5	26.9	12.0	12.0	31.0	22.5	21.5	47.0	36	27
34.114.20SM27	S	20	M27x2.0	32.9	16.0	16.0	38.0	27.5	24.0	55.0	46	36
34.114.25SM33	S	25	M33x2.0	39.9	20.0	20.0	43.0	31.0	30.5	66.5	50	41
34.114.30SM42	S	30	M42x2.0	49.9	25.0	25.0	50.0	36.5	35.5	75.5	60	50
34.114.38SM48	S	38	M48x2.0	55.9	32.0	32.0	57.0	41.0	40.5	86.5	70	60

**MATERIAL:** Carbon Steel  
**FINISH:** : Chromium-(VI) Free plating

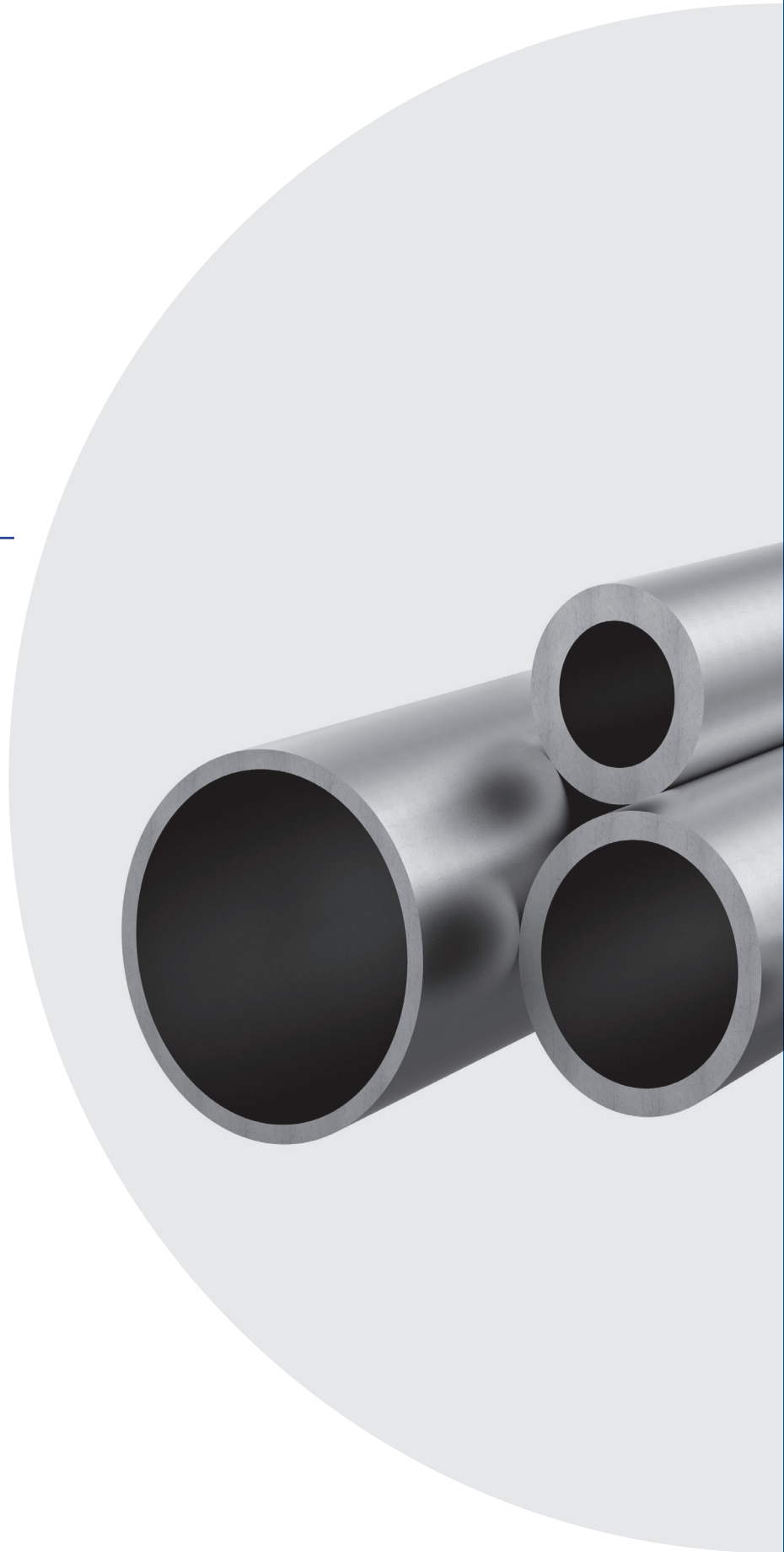
**COMPLETE:** With Double Edge Compression Ring and Tightening Nut (add an 'P' at the begin of REFERENCE)

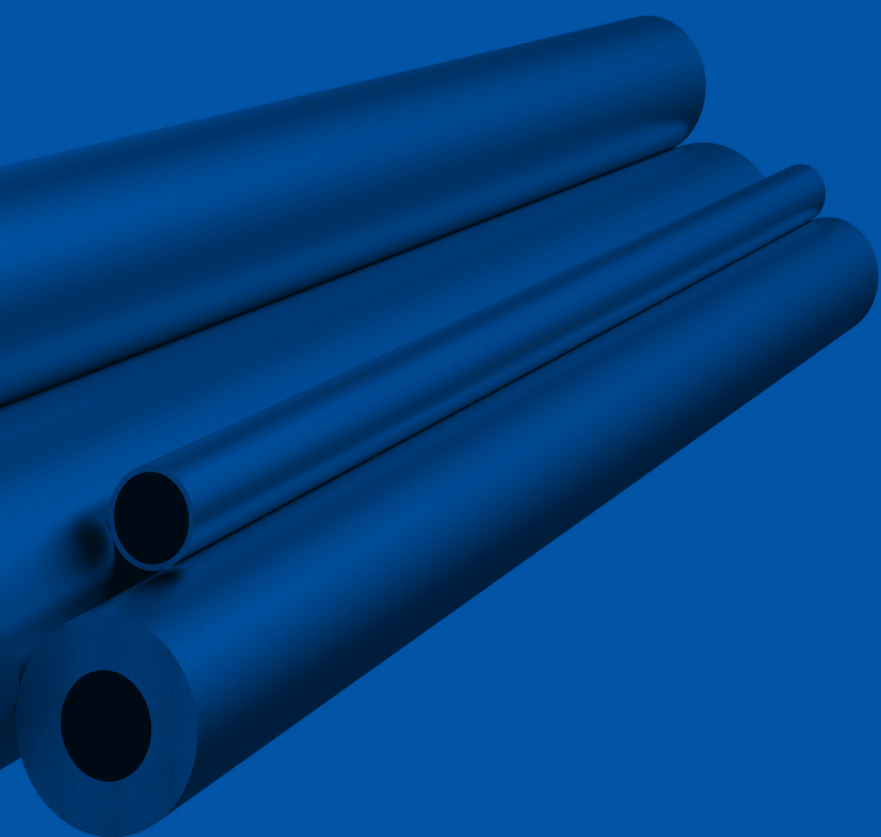
**VERSIONS:** Stainless Steel (add an 'S' at the end of the REFERENCE)



# Seamless Tube

---








# Cold Drawn Seamless Tube






34.205.

DIN 2391-C / EN ISO 10305-4

#	Specification Tube (O.D x W.T)			Wall Thickness		MPa	PSI
		mm	mm				
34.205.0410G	4 x 1	2	4	1	<b>52.2</b>	7571	
34.205.0610G	6 x 1	4	6	1	<b>38.9</b>	5642	
34.205.0615G	6 x 1.5	3	6	1.5	<b>54.9</b>	7963	
34.205.0620G	6 x 2	2	6	2	<b>69.2</b>	10037	
34.205.0810G	8 x 1	6	8	1	<b>33.3</b>	4830	
34.205.0815G	8 x 1.5	5	8	1.5	<b>43.1</b>	6251	
34.205.0820G	8 x 2	4	8	2	<b>54.9</b>	7963	
34.205.0825G	8 x 2.5	3	8	2.5	<b>65.8</b>	9543	
34.205.1010G	10 x 1	8	10	1	<b>28.2</b>	4090	
34.205.1015G	10 x 1.5	7	10	1.5	<b>37.3</b>	5410	
34.205.1020G	10 x 2	6	10	2	<b>47.8</b>	6933	
34.205.1025G	10 x 2.5	5	10	2.5	<b>57.6</b>	8354	
34.205.1210G	12 x 1	10	12	1	<b>23.5</b>	3408	
34.205.1215G	12 x 1.5	9	12	1.5	<b>35.3</b>	5120	
34.205.1220G	12 x 2	8	12	2	<b>40.9</b>	5932	
34.205.1225G	12 x 2.5	7	12	2.5	<b>49.5</b>	7179	
34.205.1415G	14 x 1.5	11	14	1.5	<b>30.2</b>	4380	
34.205.1420G	14 x 2	10	14	2	<b>40.3</b>	5845	
34.205.1515G	15 x 1.5	12	15	1.5	<b>28.2</b>	4090	
34.205.1520G	15 x 2	11	15	2	<b>37.6</b>	5453	
34.205.1615G	16 x 1.5	13	16	1.5	<b>26.4</b>	3829	
34.205.1620G	16 x 2	12	16	2	<b>35.3</b>	5120	
34.205.1625G	16 x 2.5	11	16	2.5	<b>38.6</b>	5598	
34.205.1630G	16 x 3	10	16	3	<b>45.2</b>	6556	
34.205.1815G	18 x 1.5	15	18	1.5	<b>23.5</b>	3408	
34.205.1820G	18 x 2	14	18	2	<b>31.3</b>	4540	
34.205.1825G	18 x 2.5	13	18	2.5	<b>39.2</b>	5685	
34.205.2015G	20 x 1.5	17	20	1.5	<b>21.2</b>	3075	
34.205.2020G	20 x 2	16	20	2	<b>28.2</b>	4090	
34.205.2025G	20 x 2.5	15	20	2.5	<b>35.3</b>	5120	
34.205.2030G	20 x 3	14	20	3	<b>37.3</b>	5410	
34.205.2040G	20 x 4	12	20	4	<b>47.8</b>	6933	
34.205.2215G	22 x 1.5	19	22	1.5	<b>19.2</b>	2785	
34.205.2220G	22 x 2	18	22	2	<b>25.6</b>	3713	



#	Specification Tube (O.D x W.T)			Wall Thickness mm		PSI
		mm	mm		MPa	
34.205.2225G	22 x 2.5	17	22	2.5	<b>32</b>	4641
34.205.2520G	25 x 2	21	25	2	<b>22.6</b>	3278
34.205.2525G	25 x 2.5	20	25	2.5	<b>28.2</b>	4090
34.205.2540G	25 x 4	17	25	4	<b>39.4</b>	5714
34.205.2820G	28 x 2	24	28	2	<b>20.1</b>	2915
34.205.2825G	28 x 2.5	23	28	2.5	<b>25.2</b>	3655
34.205.2830G	28 x 3	22	28	3	<b>30.2</b>	4380
34.205.2840G	28 x 4	20	28	4	<b>40.3</b>	5845
34.205.3020G	30 x 2	26	30	2	<b>18.8</b>	2727
34.205.3030G	30 x 3	24	30	3	<b>28.2</b>	4090
34.205.3040G	30 x 4	22	30	4	<b>37.6</b>	5453
34.205.3520G	35 x 2	31	35	2	<b>16.1</b>	2335
34.205.3530G	35 x 3	29	35	3	<b>24.2</b>	3510
34.205.3540G	35 x 4	27	35	4	<b>32.2</b>	4670
34.205.3825G	38 x 2.5	33	38	2.5	<b>18.6</b>	2698
34.205.3830G	38 x 3	32	38	3	<b>22.3</b>	3234
34.205.3840G	38 x 4	30	38	4	<b>29.7</b>	4308
34.205.3850G	38 x 5	28	38	5	<b>37.1</b>	5381
34.205.3860G	38 x 6	26	38	6	<b>39</b>	5656
34.205.4220G	42 x 2	38	42	2	<b>13.4</b>	1944
34.205.4230G	42 x 3	36	42	3	<b>20.1</b>	2915
34.205.4240G	42 x 4	34	42	4	<b>26.9</b>	3902

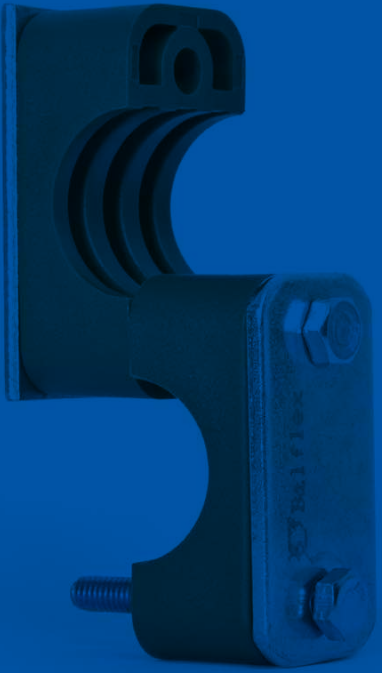
Dimensions and tolerances according to DIN 2391/1 – EN ISO 10305-4 (ISO 3304), and material conforming St 37.4  
 All **Balflex** pipes are normalized and controlled.  
 The Working Pressure indicated were determined in conforming with DIN213. Scope to application I, for primary static load at temperatures up to +120°C (+248°F)  
**Balflex** covers the wide range needed in high performance piping system:  
 G -NBK/ZN – Normalized, electric zinc plated with Cr-VI-free passivation c. E355N (St 52.4)  
 PH- NBK – Normalized, phosphated and oiled inside and outside d. E355N (St 52.4)



# Hydraulic Pipe Clamps

---









# Hydraulic Pipe Clamps

*Balflex® hydraulic pipe clamps are designed for use with Balflex® hydraulic pipes in high-pressure hydraulic systems.*



The range of **Balflex®** clamps is produced according to **Balflex®** specifications and DIN 3015 standard. **Balflex®** has optimized the construction of these hydraulic pipe clamps in order to assure top rated performance, wide range of application, reliability and economy. Among their features are:

**Heat resistance:** **Balflex®** hydraulic pipe clamps are available in three materials:

- Polypropylene - for temperatures up to 90°C
- Polyamide 6 - for temperatures up to 180°C
- Aluminum - for temperatures up to 380°C.

**Wide range:** **Balflex®** hydraulic pipe clamps are available in three series:

- L - for light-duty (standard wall) hydraulic pipes
- S - for heavy-duty (thick wall) hydraulic pipes
- T - for twin lines of hydraulic pipes

**Versatility & easy handling:** **Balflex®** hydraulic pipe clamps can be mounted on rails, welded or directly screwed on the walls. They are available in 8 different kinds of sets, ready to install with all accessories.

**Security:** **Balflex®** polypropylene hydraulic pipe clamps can be supplied on request also with photoluminescence pigments (radiation and toxicity free) in the yellow/green spectrum that allow the localization of the pipes in complete darkness for many hours after light failure.

The Balflex® industrial couplings part code is composed of three groups of digits:

**84 . XXX Y . XXXX Y**

A
B
C
D
E

**A series**

**B design type:** 100 - light duty; 200 - heavy duty; 300 - twin line

**C set** A through H

**D pipe external diameter**

**E body material:** P - polypropylene; N - polyamide 6; A - aluminum

## Materials

Balflex® hydraulic pipe clamps are available in three materials - polypropylene, polyamide 6 and aluminum compound with 12% silicum. Materials

characteristics are given in table 1. Normally, the material choice is made according to the rated working temperature of the pipes.

### Table 1: Physical characteristics of Balflex Pipe Clamps Materials

	Polypropylene	Polyamide	Aluminum
Density	0,906 g/cm <sup>3</sup>	1,13 g/cm <sup>3</sup>	2,66 g/cm <sup>3</sup>
Flexure resistance (acc to DIN 53452 test method)	0,906 g/cm <sup>3</sup>	130 N/mm <sup>2</sup>	70 N/mm <sup>2</sup>
Impact resistance (acc to DIN 53453 test method)	no break	60 kJ/cm <sup>2</sup>	na
Compression strength (acc to DIN 53454 test method)	90 N/mm <sup>2</sup>	120 N/mm <sup>2</sup>	500 N/mm <sup>2</sup>
Elasticity module (acc to DIN 53452 test method)	200 N/mm	4500 N/mm	70000 N/mm
Fatigue resistance (acc to DIN 53454 test method)	27 N/mm <sup>2</sup>	170 N/mm <sup>2</sup>	180 N/mm <sup>2</sup>
<b>max working temperature</b>	<b>90°C</b>	<b>180°C</b>	<b>380°C</b>
expansion coefficient	0,22 W/m*K	0,30 W/m*K	12,6 W/m*K
Thermal conductivity	15 x 10 <sup>5</sup> / °K	15 x 10 <sup>5</sup> / °K	21 x 10 <sup>6</sup> / °K
Electrical resistance	10 <sup>18</sup> Ohm cm	10 <sup>15</sup> Ohm cm	na



## Series

---

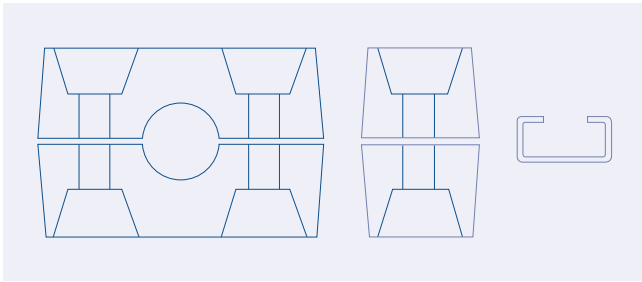
Balflex® hydraulic pipe clamps are available in three series:

- **Light Duty** series for standard wall hydraulic pipe and working pressures up to 200 bar (2900 PSI) (from 6 mm to 50,8 mm external hydraulic pipes and from 1/8" to 1-1/2" nominal internal diameter pipes)

- **Heavy Duty** series for thick wall hydraulic pipe and working pressures above 200 bar (2900 PSI) (from 6 mm to 216 mm external diameter

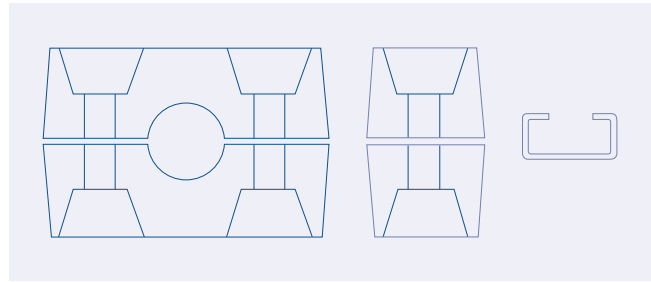
hydraulic pipes and from 1/8" to 16" nominal internal diameter pipes). Heavy-duty metal components such as upper plates, locking plates, rails, etc. are treated in a cathaphoresis process in order to withstand 750 h salt spray ASTM tests.

- **Twin series** for twin lines of standard hydraulic pipe and working pressures up to 200 bar (2900 PSI) (from 6 mm to 42,4 mm external diameter hydraulic pipes and from 1/4" to 1-1/2" nominal internal diameter pipes)



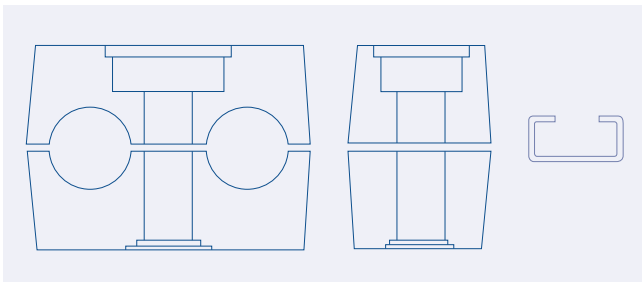
**Light Duty Hydraulic Pipe Clamps**  
84.100A

pag. 79



**Heavy Duty Hydraulic Pipe Clamps**  
84.200A

pag. 80



**Twin Line Hydraulic Pipe Clamps**  
84.300A

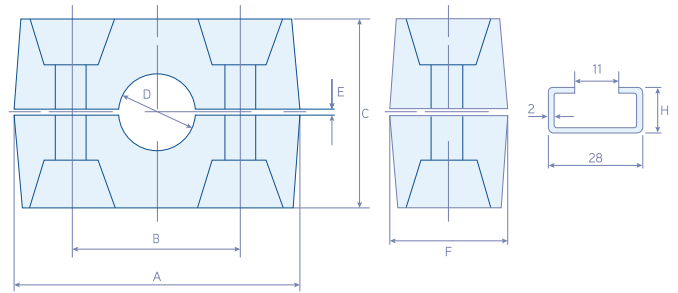
pag. 82



# Light Duty Hydraulic Pipe Clamps

84.100A.

According to DIN 3015



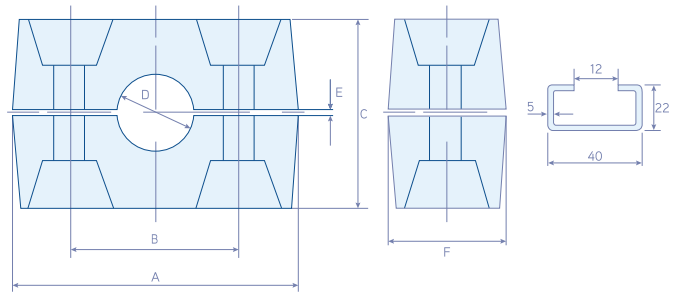
#	Pipe External Ø	dimensions (mm)						
	D mm	A	B	C	E	Screw	Lower Plate (LxWxTH)	Upper Plate (LxWxTH)
84.100A.0060P	6	37	20	27	0,4	M6	36 x 30 x 3	34 x 30 x 3
84.100A.0080P	8	37	20	27	0,4	M6	36 x 30 x 3	34 x 30 x 3
84.100A.0100P	10	37	20	27	0,4	M6	36 x 30 x 3	34 x 30 x 3
84.100A.0120P	12	37	20	27	0,4	M6	36 x 30 x 3	34 x 30 x 3
84.100A.0127P	12,7	43	26	33	0,6	M6	42 x 30 x 3	40 x 30 x 3
84.100A.0135P	13,5	43	26	33	0,6	M6	42 x 30 x 3	40 x 30 x 3
84.100A.0140P	14	43	26	33	0,6	M6	42 x 30 x 3	40 x 30 x 3
84.100A.0150P	15	43	26	33	0,6	M6	42 x 30 x 3	40 x 30 x 3
84.100A.0160P	16	43	26	33	0,6	M6	42 x 30 x 3	40 x 30 x 3
84.100A.0172P	17,2	43	26	33	0,6	M6	42 x 30 x 3	40 x 30 x 3
84.100A.0180P	18	43	26	33	0,6	M6	42 x 30 x 3	40 x 30 x 3
84.100A.0190P	19	50	33	35	0,6	M6	50 x 30 x 3	48 x 30 x 3
84.100A.0200P	20	50	33	35	0,6	M6	50 x 30 x 3	48 x 30 x 3
84.100A.0213P	21,3	50	33	35	0,6	M6	50 x 30 x 3	48 x 30 x 3
84.100A.0220P	22	50	33	35	0,6	M6	50 x 30 x 3	48 x 30 x 3
84.100A.0250P	25	50	33	35	0,6	M6	50 x 30 x 3	48 x 30 x 3
84.100A.0269P	26,9	59	40	42	0,6	M6	60 x 30 x 3	57 x 30 x 3
84.100A.0280P	28	59	40	42	0,6	M6	60 x 30 x 3	57 x 30 x 3
84.100A.0300P	30	59	40	42	0,6	M6	60 x 30 x 3	57 x 30 x 3
84.100A.0320P	32	71	52	58	0,8	M6	72 x 30 x 3	70 x 30 x 3
84.100A.0337P	33,7	71	52	58	0,8	M6	72 x 30 x 3	70 x 30 x 3
84.100A.0350P	35	71	52	58	0,8	M6	72 x 30 x 3	70 x 30 x 3
84.100A.0380P	38	71	52	58	0,8	M6	72 x 30 x 3	70 x 30 x 3
84.100A.0400P	40	71	52	58	0,8	M6	72 x 30 x 3	70 x 30 x 3
84.100A.0420P	42	71	52	58	0,8	M6	72 x 30 x 3	70 x 30 x 3
84.100A.0483P	48,3	86	66	66	0,8	M6	88 x 30 x 3	86 x 30 x 3
84.100A.0508P	50,8	86	66	66	0,8	M6	88 x 30 x 3	86 x 30 x 3



# Heavy Duty Hydraulic Pipe Clamps

84.200A.

According to DIN 3015



#	Pipe External Ø	dimensions (mm)							
	D mm	A	B	C	E	F	Screw	Lower Plate (LxWxTH)	Upper Plate (LxWxTH)
84.200A.0060P	6	56	33	33	1,0	30	M10	74 x 30 x 8	74 x 30 x 8
84.200A.0080P	8	56	33	33	1,0	30	M10	74 x 30 x 8	74 x 30 x 8
84.200A.0100P	10	56	33	33	1,0	30	M10	74 x 30 x 8	74 x 30 x 8
84.200A.0120P	12	56	33	33	1,0	30	M10	74 x 30 x 8	74 x 30 x 8
84.200A.0135P	13,5	56	33	33	1,0	30	M10	74 x 30 x 8	74 x 30 x 8
84.200A.0140P	14	56	33	33	1,0	30	M10	74 x 30 x 8	74 x 30 x 8
84.200A.0150P	15	56	33	33	1,0	30	M10	74 x 30 x 8	74 x 30 x 8
84.200A.0160P	16	56	33	33	1,0	30	M10	74 x 30 x 8	74 x 30 x 8
84.200A.0167P	16,7	56	33	33	1,0	30	M10	74 x 30 x 8	74 x 30 x 8
84.200A.0172P	17,2	56	33	33	1,0	30	M10	74 x 30 x 8	74 x 30 x 8
84.200A.0180P	18	56	33	33	1,0	30	M10	74 x 30 x 8	74 x 30 x 8
84.200A.0200P	20	71	45	48	1,0	30	M10	86 x 30 x 8	86 x 30 x 8
84.200A.0213P	21,3	71	45	48	1,0	30	M10	86 x 30 x 8	86 x 30 x 8
84.200A.0220P	22	71	45	48	1,0	30	M10	86 x 30 x 8	86 x 30 x 8
84.200A.0250P	25	71	45	48	1,0	30	M10	86 x 30 x 8	86 x 30 x 8
84.200A.0269P	26,9	71	45	48	1,0	30	M10	86 x 30 x 8	86 x 30 x 8
84.200A.0280P	28	71	45	48	1,0	30	M10	86 x 30 x 8	86 x 30 x 8
84.200A.0300P	30	71	45	48	1,0	30	M10	86 x 30 x 8	86 x 30 x 8
84.200A.0301P	30	85	60	61	1,0	30	M10	100 x 30 x 8	100 x 30 x 8
84.200A.0320P	32	85	60	61	1,0	30	M10	100 x 30 x 8	100 x 30 x 8
84.200A.0337P	33,7	85	60	61	1,0	30	M10	100 x 30 x 8	100 x 30 x 8
84.200A.0350P	35	85	60	61	1,0	30	M10	100 x 30 x 8	100 x 30 x 8
84.200A.0380P	38	85	60	61	1,0	30	M10	100 x 30 x 8	100 x 30 x 8
84.200A.0381P	38	116	90	90	2,0	45	M12	140 x 45 x 8	140 x 45 x 10
84.200A.0400P	40	85	60	61	1,0	30	M10	100 x 30 x 8	100 x 30 x 8
84.200A.0420P	42	116	90	90	2,0	45	M12	140 x 45 x 8	140 x 45 x 10
84.200A.0483P	48,3	116	90	90	2,0	45	M12	140 x 45 x 8	140 x 45 x 10
84.200A.0500P	50	116	90	90	2,0	45	M12	140 x 45 x 8	140 x 45 x 10
84.200A.0550P	55	116	90	122	2,0	45	M12	140 x 45 x 8	140 x 45 x 10
84.200A.0603P	60,3	116	90	122	2,0	45	M12	140 x 45 x 8	140 x 45 x 10
84.200A.0635P	63,5	116	90	122	2,0	45	M12	140 x 45 x 8	140 x 45 x 10
84.200A.0650P	65	116	90	122	2,0	45	M12	140 x 45 x 8	140 x 45 x 10
84.200A.0700P	70	116	90	122	2,0	45	M12	140 x 45 x 8	140 x 45 x 10

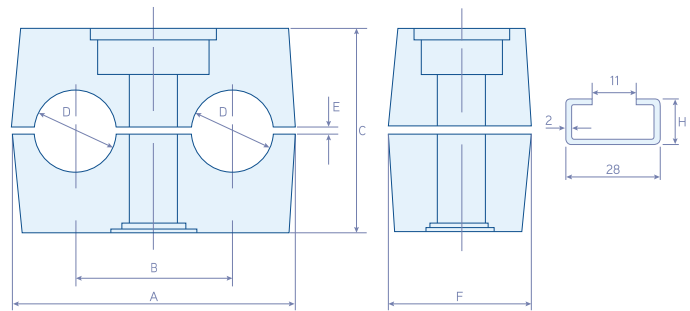


#	Pipe External Ø	dimensions (mm)							
	D mm	A	B	C	E	F	Screw	Lower Plate (LxWxTH)	Upper Plate (LxWxTH)
84.200A.0650P	65	155	122	122	2,5	60	M16	180 x 60 x 11	180 x 60 x 10
84.200A.0700P	70	155	122	122	2,5	60	M16	180 x 60 x 11	180 x 60 x 10
84.200A.0730P	73	155	122	122	2,5	60	M16	180 x 60 x 11	180 x 60 x 10
84.200A.0761P	76,1	155	122	122	2,5	60	M16	180 x 60 x 11	180 x 60 x 10
84.200A.0800P	80	155	122	122	2,5	60	M16	180 x 60 x 11	180 x 60 x 10
84.200A.0825P	82,5	155	122	122	2,5	60	M16	180 x 60 x 11	180 x 60 x 10
84.200A.0889P	88,9	155	122	122	2,5	60	M16	180 x 60 x 11	180 x 60 x 10
84.200A.0890P	88,9	209	168	172	2,5	80	M20	226 x 80 x 17	226 x 80 x 15
84.200A.1000P	100	209	168	172	2,5	80	M20	226 x 80 x 17	226 x 80 x 15
84.200A.1016P	101,6	209	168	172	2,5	80	M20	226 x 80 x 17	226 x 80 x 15
84.200A.1080P	108	209	168	172	2,5	80	M20	226 x 80 x 17	226 x 80 x 15
84.200A.1143P	114,3	209	168	172	2,5	80	M20	226 x 80 x 17	226 x 80 x 15
84.200A.1270P	127	209	168	172	2,5	80	M20	226 x 80 x 17	226 x 80 x 15
84.200A.1330P	133	209	168	172	2,5	80	M20	226 x 80 x 17	226 x 80 x 15
84.200A.1397P	139,7	252	205	202	3,5	90	M24	270 x 90 x 20	270 x 90 x 15
84.200A.1524P	152,4	252	205	202	3,5	90	M24	270 x 90 x 20	270 x 90 x 15
84.200A.1590P	159	252	205	202	3,5	90	M24	270 x 90 x 20	270 x 90 x 15
84.200A.1650P	165	252	205	202	3,5	90	M24	270 x 90 x 20	270 x 90 x 15
84.200A.1778P	177,8	252	205	202	3,5	90	M24	270 x 90 x 20	270 x 90 x 15
84.200A.2160P	216	338	265	271	3,5	120	M30	340 x 120 x 20	340 x 120 x 25
84.200A.2194P	219,4	338	265	271	3,5	120	M30	340 x 120 x 20	340 x 120 x 25
84.200A.2445P	244,5	476	395	410	10	160	M30	520 x 160 x 22	520 x 160 x 30
84.200A.2730P	273	476	395	410	10	160	M30	520 x 160 x 22	520 x 160 x 30
84.200A.3239P	323,9	476	395	410	10	160	M30	520 x 160 x 22	520 x 160 x 30
84.200A.3556P	355,6	640	535	542	30	180	M30	680 x 180 x 22	680 x 180 x 30
84.200A.4064P	406,4	640	535	542	30	180	M30	680 x 180 x 22	680 x 180 x 30

# Twin Line Hydraulic Pipe Clamps

84.300.

According to DIN 3015



#	Pipe External Ø	dimensions (mm)					Screw	Lower Plate (LxWxTH)
	D mm	A	B	C	E	F		
84.300A.0060P	6	36	20	27	0,5	30	M8	37 x 30 x 3
84.300A.0064P	6,4	36	20	27	0,5	30	M8	37 x 30 x 3
84.300A.0080P	8	36	20	27	0,5	30	M8	37 x 30 x 3
84.300A.0095P	9,5	36	20	27	0,5	30	M8	37 x 30 x 3
84.300A.0100P	10	36	20	27	0,5	30	M8	37 x 30 x 3
84.300A.0120P	12	36	20	27	0,5	30	M8	37 x 30 x 3
84.300A.0127P	12,7	53	29	29	0,8	30	M8	55 x 30 x 5
84.300A.0135P	13,5	53	29	29	0,8	30	M8	55 x 30 x 5
84.300A.0140P	14	53	29	29	0,8	30	M8	55 x 30 x 5
84.300A.0150P	15	53	29	29	0,8	30	M8	55 x 30 x 5
84.300A.0160P	16	53	29	29	0,8	30	M8	55 x 30 x 5
84.300A.0172P	17,2	53	29	29	0,8	30	M8	55 x 30 x 5
84.300A.0180P	18	53	29	29	0,8	30	M8	55 x 30 x 5
84.300A.0190P	19	67	36	37	1,0	30	M8	70 x 30 x 5
84.300A.0200P	20	67	36	37	1,0	30	M8	70 x 30 x 5
84.300A.0213P	21,3	67	36	37	1,0	30	M8	70 x 30 x 5
84.300A.0220P	22	67	36	37	1,0	30	M8	70 x 30 x 5
84.300A.0230P	23	67	36	37	1,0	30	M8	70 x 30 x 5
84.300A.0250P	25	67	36	37	1,0	30	M8	70 x 30 x 5
84.300A.0254P	25,4	67	36	37	1,0	30	M8	70 x 30 x 5
84.300A.0269P	26,9	82	45	42	1,0	30	M8	85 x 30 x 5
84.300A.0280P	28	82	45	42	1,0	30	M8	85 x 30 x 5
84.300A.0300P	30	82	45	42	1,0	30	M8	85 x 30 x 5
84.300A.0320P	32	106	56	54	1,0	30	M8	110 x 30 x 5
84.300A.0337P	33,7	106	56	54	1,0	30	M8	110 x 30 x 5
84.300A.0350P	35	106	56	54	1,0	30	M8	110 x 30 x 5
84.300A.0380P	38	106	56	54	1,0	30	M8	110 x 30 x 5
84.300A.0400P	40	106	56	54	1,0	30	M8	110 x 30 x 5
84.300A.0424P	42,4	106	56	54	1,0	30	M8	110 x 30 x 5

## **PRODUCTS LIMITED WARRANTY**

The products sold by Balflex® are warranted to our customers to be free from defects in material and workmanship when shipment at Balflex® warehouses takes place.

All warranty claims shall be made present in writing to Balflex®. Balflex® liability hereunder is limited to the purchase price of the merchandise proving to be defective or, at balflex sole discretion, to the replacement of such merchandise upon its authorized return to Balflex®.

This warranty is in lieu of and excludes all other warranties, or conditions expressed, implied, statutory or otherwise created under applicable law including, but not limited to the warranty of merchantability and the warranty of fitness for a particular purpose.

In addition, this warranty shall not apply and will be null and void to any products or portions thereof that have been subject to abuse, misuse, improper installation, maintenance or operation, electrical failure or abnormal conditions and to products that have been tampered with, altered, modified, repaired, reworked by anyone not approved by balflex or used in any other manner inconsistent with any Balflex® instructions or specifications. Balflex® disclaims any liability for any hose assemblies which have not been produced with in conformance with Balflex® assembly recommendations and parts.

In no event shall balflex have any liability whatsoever to any person, including without limitation, any immediate buyer, purchaser or other third party, for any special, punitive, incidental or consequential damages, including without limitation, profit loss or customer loss, loss or damage to physical property of customer or any other person and loss of anticipated revenue, profits, goodwill, savings or other economic loss of customer or any other person.

Specification subject to change without prior notice.  
Errors and omission excluded.



## U.S.A. and Canada

6000 South Loop East Freeway  
 Houston, Tx 77033  
 United States of America  
 Tel: (1) 713-928-6064  
 Email: [sales@balflex.com](mailto:sales@balflex.com)  
[www.balflexusa.com](http://www.balflexusa.com)

## Europe Headquarters

R. Bouça dos Estilhadouros, 226/254  
 4445-044 Alfena, Portugal  
 Tel: (351) 229 698 160  
 Email: [balflex@balflex.com](mailto:balflex@balflex.com)  
[www.balflex.com](http://www.balflex.com)

## Germany

Franckensteinstraße 8  
 77749 Hohberg  
 Tel: (49) 07808 4318857  
 Email: [info@2bhydraulik.de](mailto:info@2bhydraulik.de)  
[www.balflex.com](http://www.balflex.com)

## South America

R. Padre Cesari Lelli, 1014  
 Rodovia BR-116  
 CEP 83420-000 Quatro Barras/PR  
 Brasil  
 Tel: (55) 41 3671 3450  
 Email: [comercial@balflex.com.br](mailto:comercial@balflex.com.br)  
[www.balflex.com](http://www.balflex.com)

[www.balflex.com](http://www.balflex.com)



An ISO 9001:2015 Company:



Cofinanciado por:



UNIÃO EUROPEIA  
 Fundo Europeu  
 de Desenvolvimento Regional